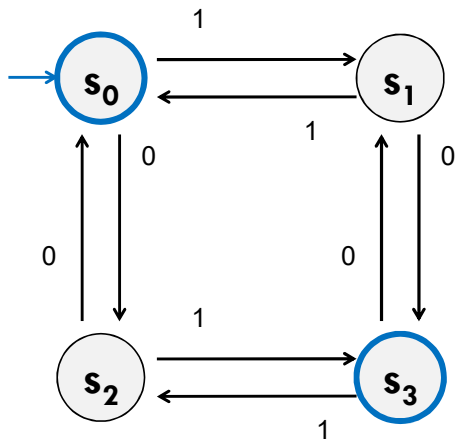


The set of binary strings with a 1 in the 3rd position from the start

What language does this machine recognize?



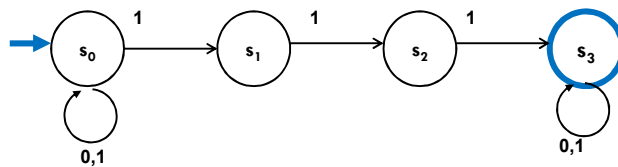
Nondeterministic Finite Automata

An NFA:

Still has exactly one start state and any number of final states.

The NFA accepts x if there is some path from a start state to a final state labeled with x .

From a state, you can have 0,1, or many outgoing arrows labeled with a single character. You can choose any of them to build the required path.



NFA practice

What is the language of this NFA?

