

Lecture 4: Truth Tables and More Boolean Functions

CSE 370, Autumn 2007
Benjamin Ylvisaker

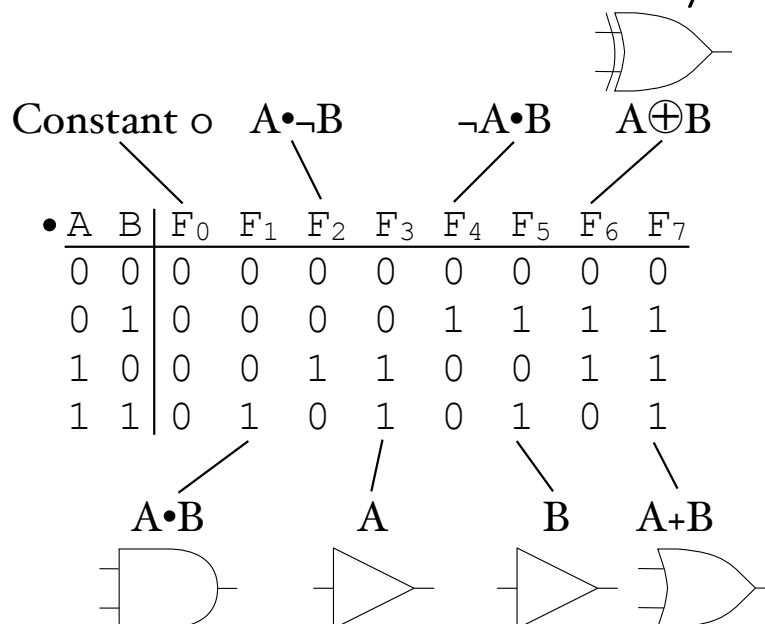
Last Lecture's Daily Quiz

- In 2's complement, the number of bits matters
 - 110 is not a 4-bit 2's comp. number
 - 0110 is
- "Flip the bits" means replace 1's with 0's and 0's with 1's in each bit position
- Remember to add 1

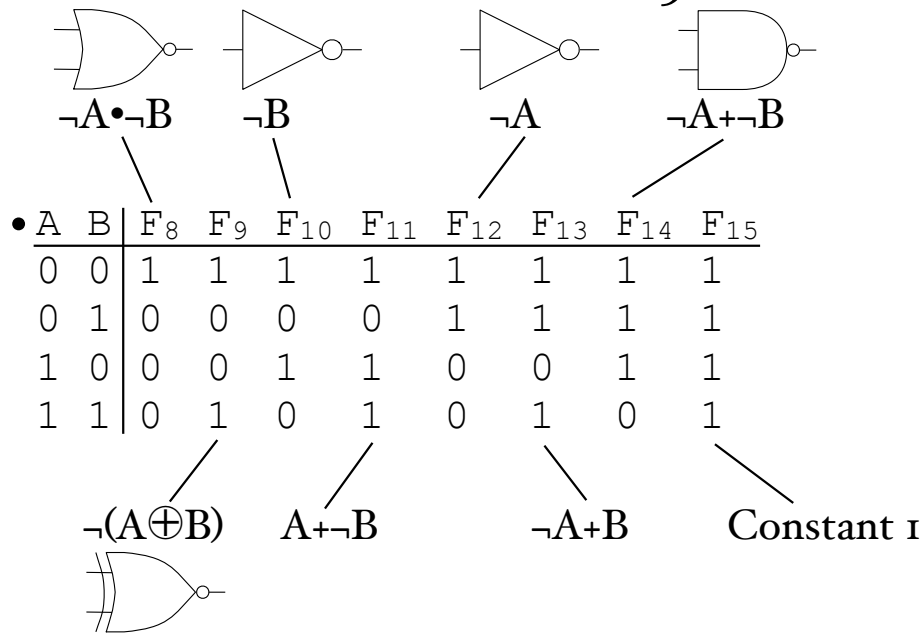
Where We Are

- Last lecture: Boolean algebra
- This lecture: Truth tables and lots of “useful” Boolean functions
- Next lecture: Canonical forms
- Homework 1 due today. Homework 2 out
- In the midst of lab 1
 - Slight modification of lab late policy

Truth Tables (0-7)



Truth Tables (8-15)



Proof by Truth Table

A	B	\overline{A}	\overline{B}	A+B	$\overline{A+B}$	$\overline{A \cdot B}$	A•B	$\overline{A \cdot B}$	$\overline{A+B}$
0	0	1	1	0	1	1	0	1	1
0	1	1	0	1	0	0	0	1	1
1	0	0	1	1	0	0	0	1	1
1	1	0	0	1	0	0	1	0	0

Comparing Two Numbers

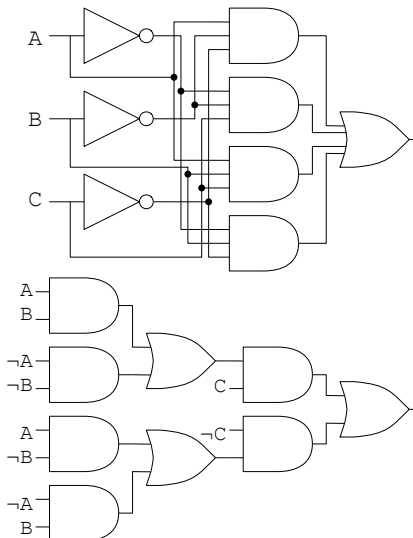
A	B	C	D	F
0	0	0	0	0
0	0	0	1	0
0	0	1	0	0
0	0	1	1	0
0	1	0	0	1
0	1	0	1	0
0	1	1	0	0
0	1	1	1	0

A	B	C	D	F
1	0	0	0	1
1	0	0	1	1
1	0	1	0	0
1	0	1	1	0
1	1	0	0	1
1	1	0	1	1
1	1	1	0	1
1	1	1	1	0

Full Adder

$$S = A\bar{B}\bar{C} + \bar{A}\bar{B}C + ABC + \bar{A}B\bar{C}$$

A	B	C _{in}	S	C _{out}
0	0	0	0	0
0	0	1	1	0
0	1	0	1	0
0	1	1	0	1
1	0	0	1	0
1	0	1	0	1
1	1	0	0	1
1	1	1	1	1



Now You Try

$$F = \neg A + BC$$

•

A	B	C	F
0	0	0	
0	0	1	
0	1	0	
0	1	1	
1	0	0	
1	0	1	
1	1	0	
1	1	1	

Now You Try

$$F = \neg A + BC$$

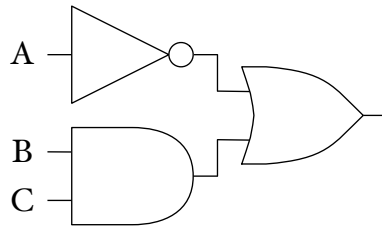
•

A	B	C	F
0	0	0	1
0	0	1	1
0	1	0	1
0	1	1	1
1	0	0	0
1	0	1	0
1	1	0	0
1	1	1	1

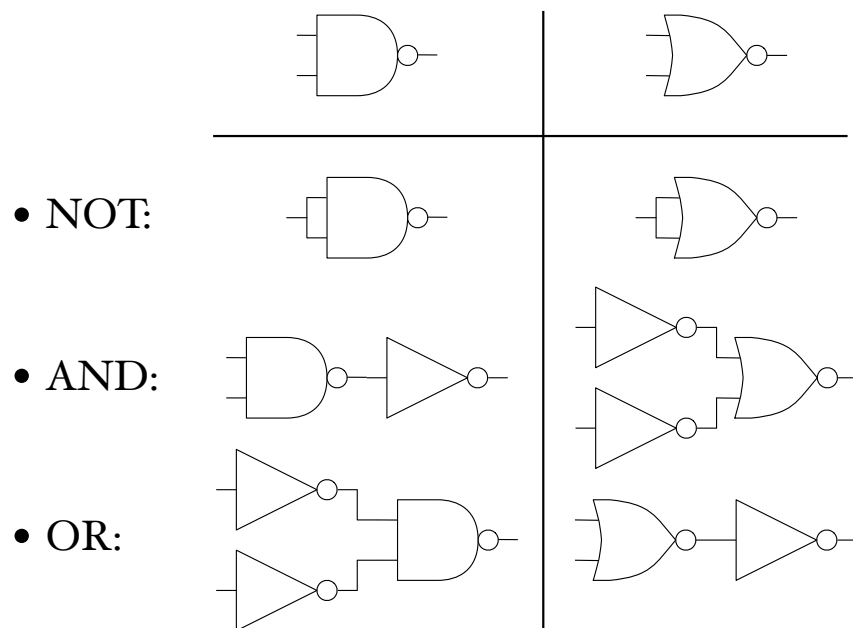
Now You Try

$$F = \neg A + BC$$

A	B	C	F
0	0	0	1
0	0	1	1
0	1	0	1
0	1	1	1
1	0	0	0
1	0	1	0
1	1	0	0
1	1	1	1



Universal Gates



Thank You for Your Attention

- Start looking at homework 2
- Continue reading the book