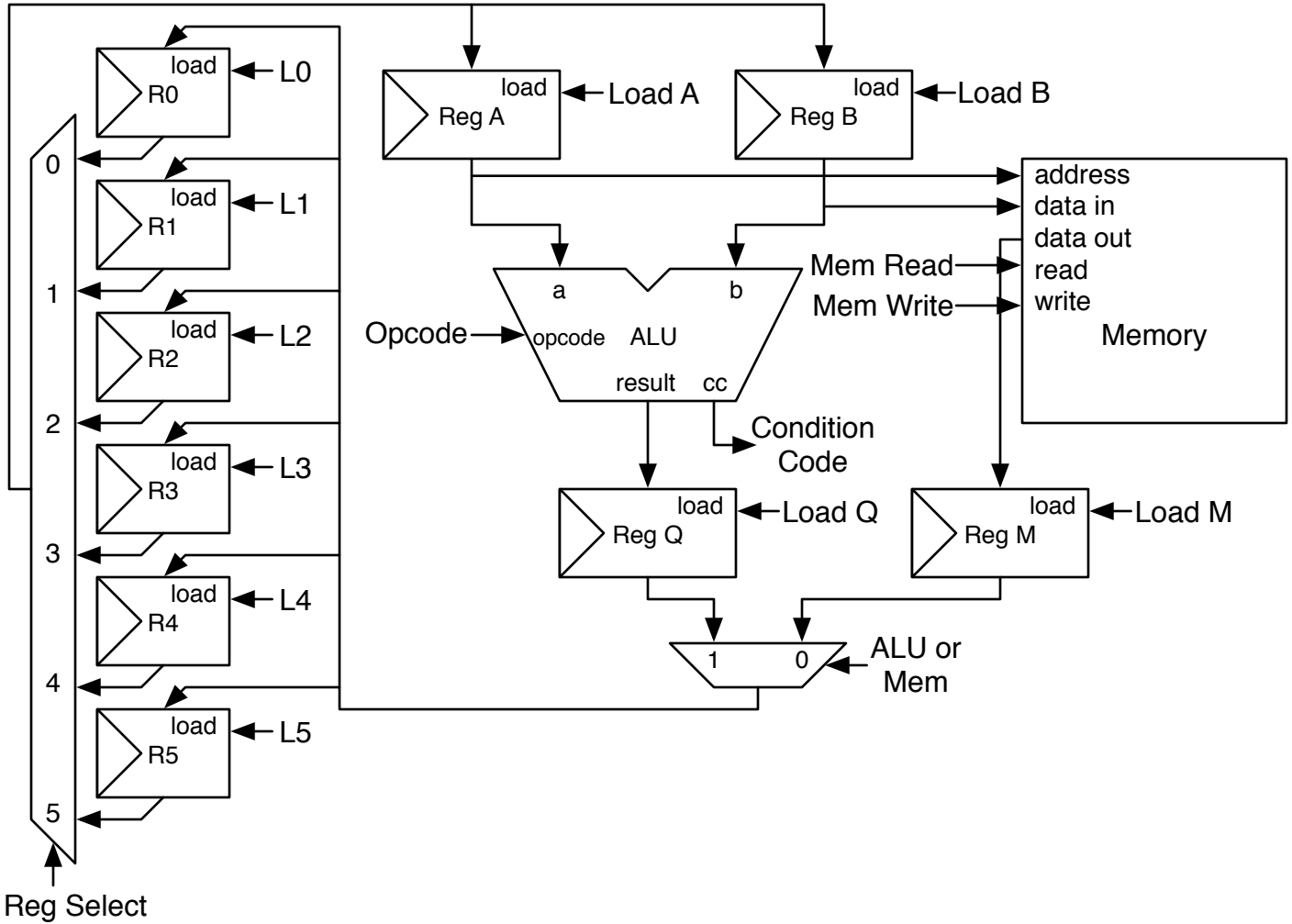


Computer Organization (a.k.a., The Mother of All Datapaths)



Instruction	Opcode	LoadA	LoadB	LoadQ	LoadM	ALUMem	MemRead	MemWrite	L{0-5}	RegSelect
Add	add	0	0	1	0	x	0	0	0	x
Subtract	sub	0	0	1	0	x	0	0	0	x
LoadAR{0-5}	x	1	0	0	0	x	0	0	0	{0-5}
LoadBR{0-5}	x	0	1	0	0	x	0	0	0	{0-5}
LoadR{0-5}ALU										
LoadR{0-5}Mem										
ReadMem										
WriteMem										

Control instructions:
 Goto [inst#]
 LessThan [inst#]
 GreaterThan [inst#]
 ...

Write an assembly program to add 4 to the numbers stored at memory locations 100 through 200.