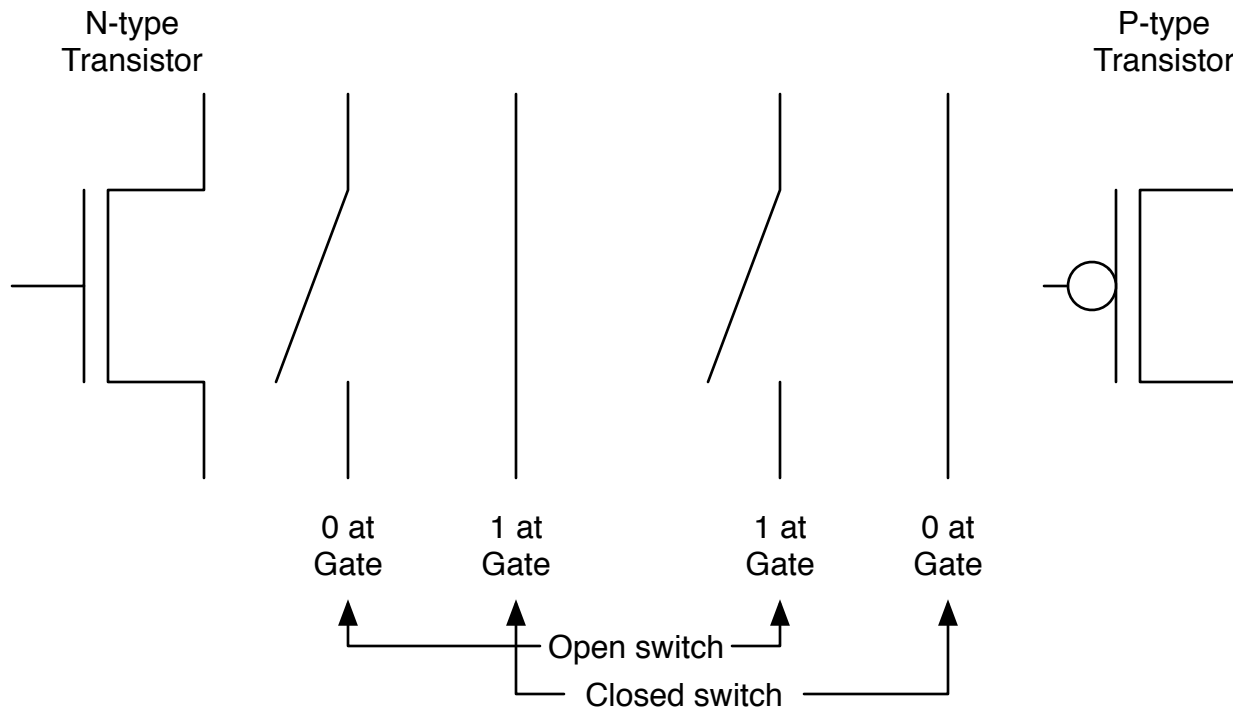
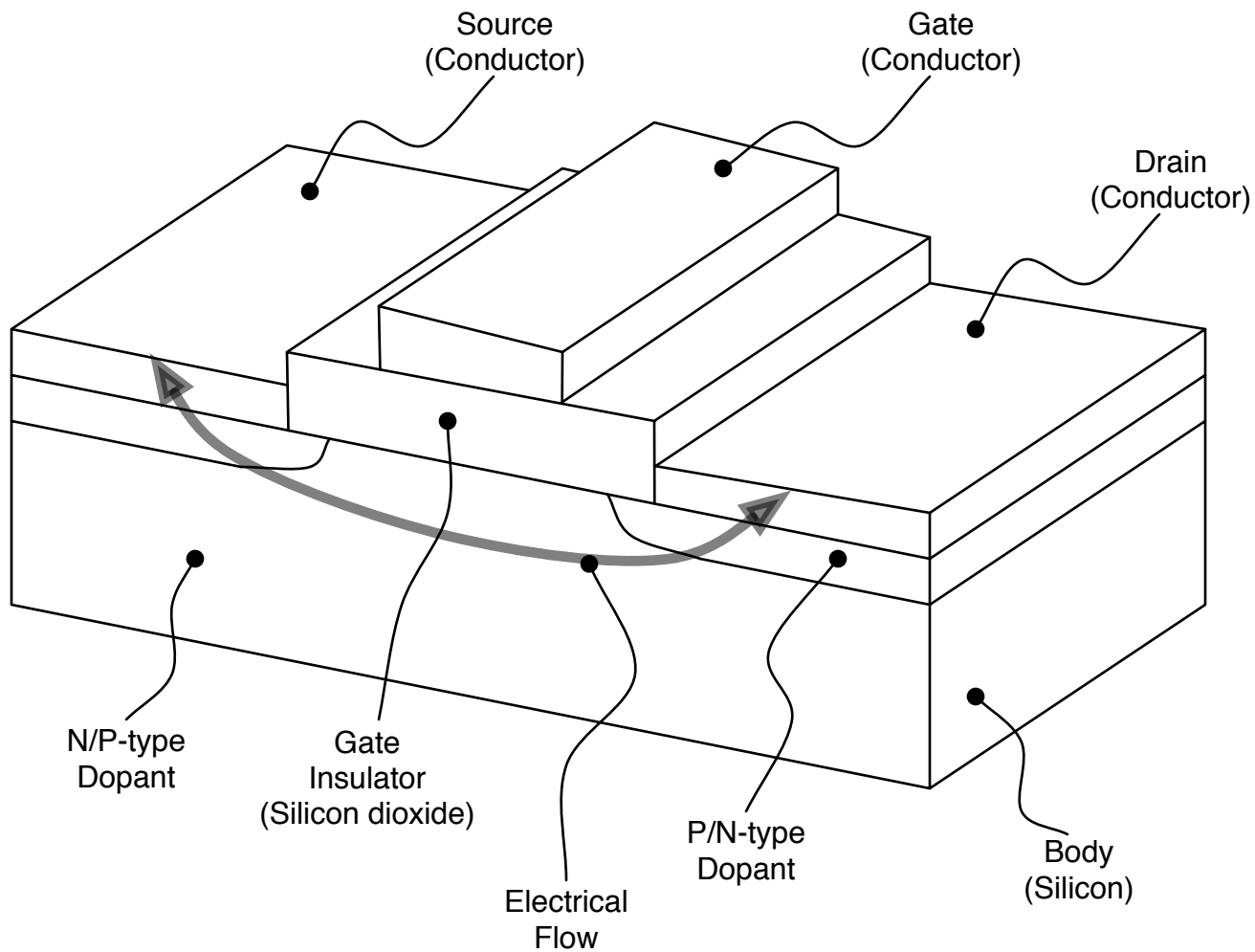


The Amazing Field Effect Transistor:

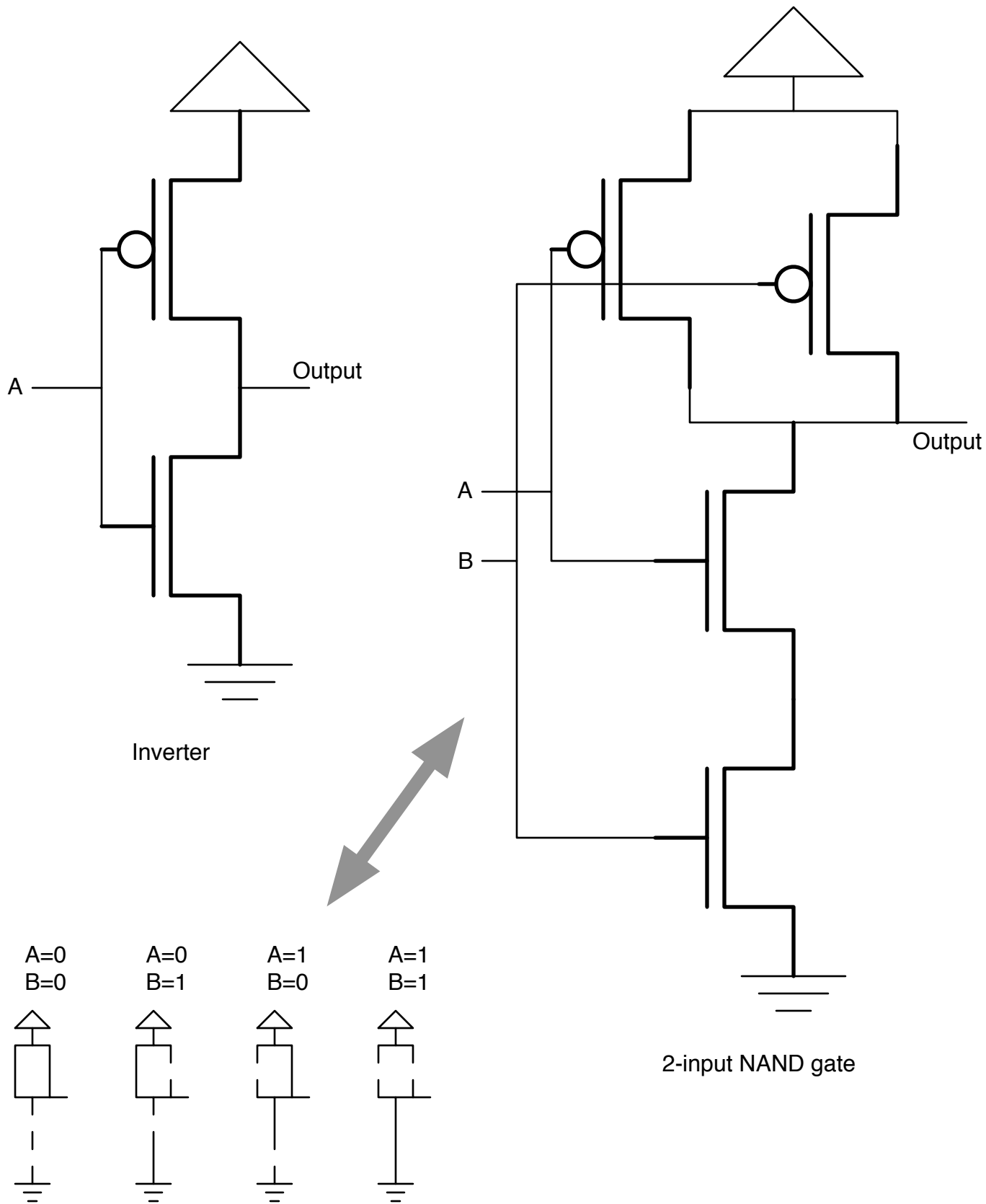
MOS = Metal Oxide Semiconductor

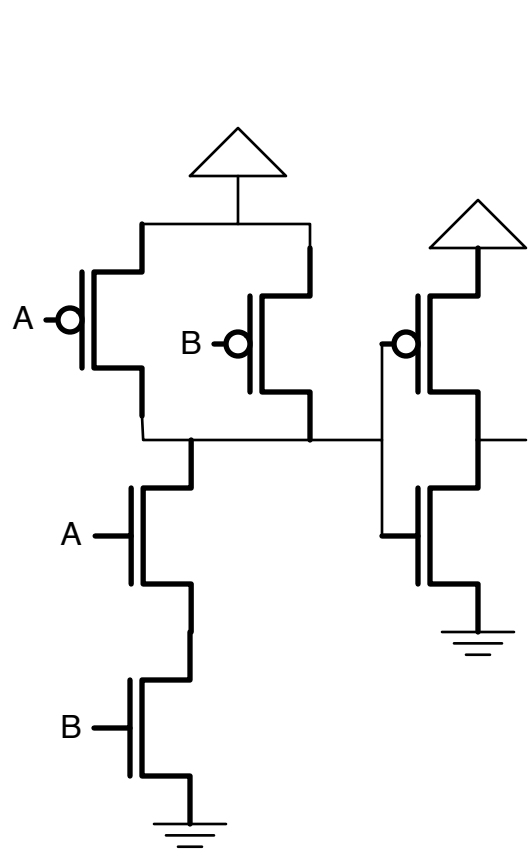


CMOS = Complementary Metal Oxide Semiconductor

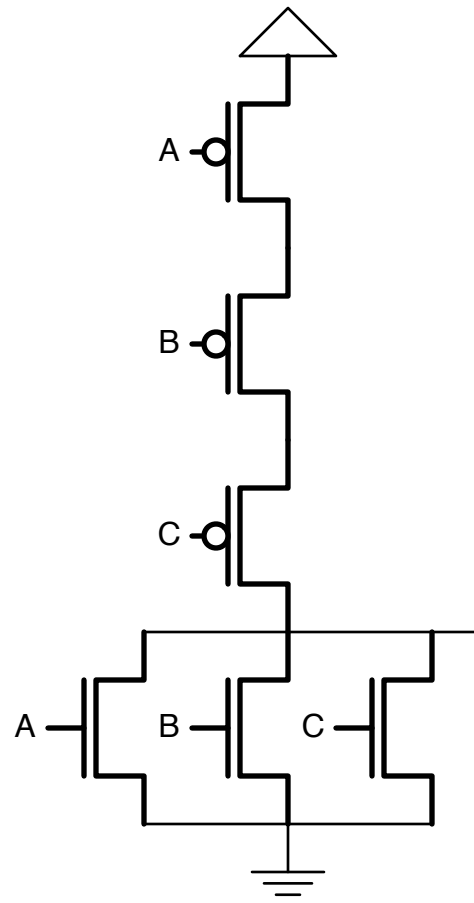
"Complementary" refers to the "matched" pairs of P- and N-type transistors

These circuits are in the *static CMOS* style





2-input AND gate



3-input NOR gate