

Lecture 8 (10/10/2008)

- Lab #1 Simulation - Due Mon Oct 13
- Lab #1 Hardware - Due Fri Oct 17
- Check the wiki discussion page to see updates
- You can subscribe to CSE378-wiki-updates@cs.washington.edu to be emailed every time someone updates one of the lab pages. (Or just check the archives on our web page.)
- HW #2 posted - MIPS programming, due Wed Oct 22
- Midterm - Fri Oct 24

1

Multicycle datapath



- We just saw a single-cycle datapath and control unit for our simple MIPS-based instruction set.
- A **multicycle processor** fixes some shortcomings in the single-cycle CPU.
 - Faster instructions are not held back by slower ones.
 - The clock cycle time can be decreased.
 - We don't have to duplicate any hardware units.
- A multicycle processor requires a somewhat simpler datapath which we'll see today, but a more complex control unit that we'll see later.

2

The example add from last time

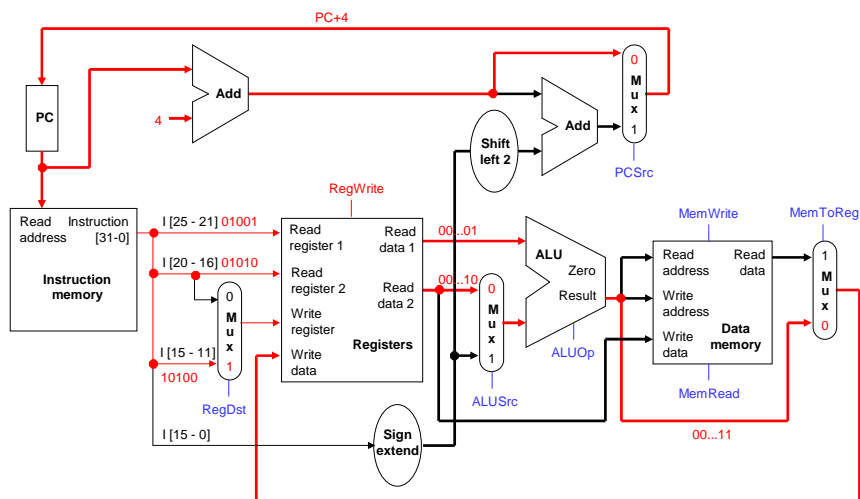
- Consider the instruction `add $s4, $t1, $t2`.

| | | | | | |
|--------|-------|-------|-------|-------|--------|
| 000000 | 01001 | 01010 | 10100 | 00000 | 100000 |
| op | rs | rt | rd | shamt | func |

- Assume `$t1` and `$t2` initially contain 1 and 2 respectively.
- Executing this instruction involves several steps.
 - The instruction word is read from the instruction memory, and the program counter is incremented by 4.
 - The sources `$t1` and `$t2` are read from the register file.
 - The values 1 and 2 are added by the ALU.
 - The result (3) is stored back into `$s4` in the register file.

4

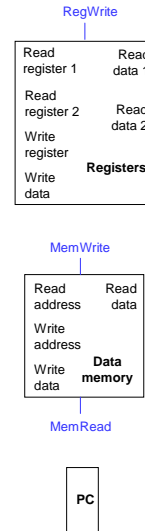
How the add goes through the datapath



5

State elements

- In an instruction like `add $t1, $t1, $t2`, how do we know `$t1` is not updated until *after* its original value is read?



6

The datapath and the clock

1. STEP 1: A new instruction is loaded from memory. The control unit sets the datapath signals appropriately so that
 - registers are read,
 - ALU output is generated,
 - data memory is read and
 - branch target addresses are computed.
 2. STEP 2:
 - The register file is updated for arithmetic or `lw` instructions.
 - Data memory is written for a `sw` instruction.
 - The PC is updated to point to the next instruction.
- In a **single-cycle datapath** everything in Step 1 must complete within one clock cycle.

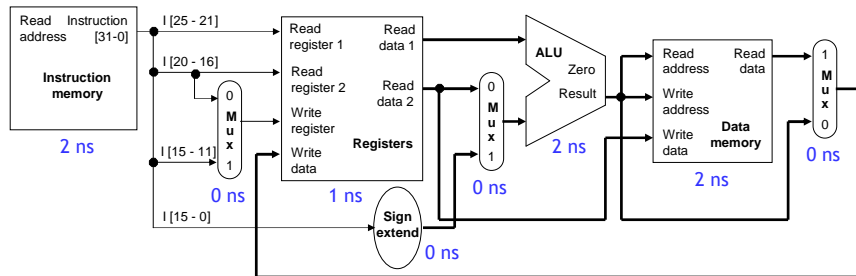


7

The slowest instruction...

- If all instructions must complete within one clock cycle, then the cycle time has to be large enough to accommodate the *slowest* instruction.
- For example, `lw $t0, -4($sp)` needs 8ns, assuming the delays shown here.

| | | |
|---------------------------------|-----|-------|
| reading the instruction memory | 2ns | } 8ns |
| reading the base register \$sp | 1ns | |
| computing memory address \$sp-4 | 2ns | |
| reading the data memory | 2ns | |
| storing data back to \$t0 | 1ns | |

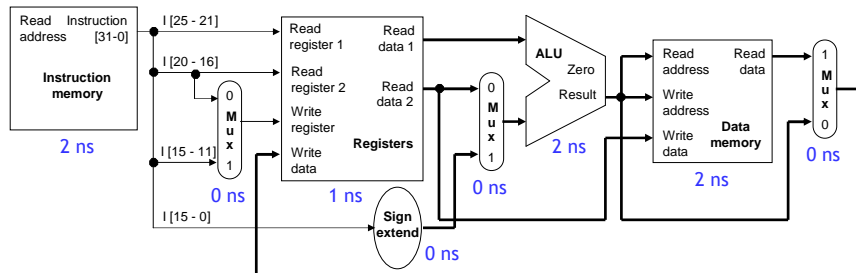


8

...determines the clock cycle time

- If we make the cycle time 8ns then *every* instruction will take 8ns, even if they don't need that much time.
- For example, the instruction `add $s4, $t1, $t2` really needs just 6ns.

| | | |
|---------------------------------|-----|-------|
| reading the instruction memory | 2ns | } 6ns |
| reading registers \$t1 and \$t2 | 1ns | |
| computing $\$t1 + \$t2$ | 2ns | |
| storing the result into \$s0 | 1ns | |



9

How bad is this?

- With these same component delays, a `sw` instruction would need 7ns, and `beq` would need just 5ns.
- Let's consider the `gcc` instruction mix from p. 189 of the textbook.

| Instruction | Frequency |
|-------------|-----------|
| Arithmetic | 48% |
| Loads | 22% |
| Stores | 11% |
| Branches | 19% |



- With a single-cycle datapath, each instruction would require 8ns.
- But if we could execute instructions as fast as possible, the average time per instruction for `gcc` would be:

$$(48\% \times 6\text{ns}) + (22\% \times 8\text{ns}) + (11\% \times 7\text{ns}) + (19\% \times 5\text{ns}) = 6.36\text{ns}$$

- The single-cycle datapath is about 1.26 times slower!

10

It gets worse...

- We've made very optimistic assumptions about memory latency:
 - Main memory accesses on modern machines is >50ns.
 - For comparison, an ALU on the Pentium4 takes ~0.3ns.
- Our worst case cycle (loads/stores) includes 2 memory accesses
 - A modern single cycle implementation would be stuck at <10Mhz.
 - Caches will improve common case access time, not worst case.
- Tying frequency to worst case path violates first law of performance!!



11

A multistage approach to instruction execution

- We've informally described instructions as executing in several steps.
 1. Instruction fetch and PC increment.
 2. Reading sources from the register file.
 3. Performing an ALU computation.
 4. Reading or writing (data) memory.
 5. Storing data back to the register file.
- What if we made these stages *explicit* in the hardware design?

12

Performance benefits

- Each instruction can execute only the stages that are necessary.
 - Arithmetic
 - Load
 - Store
 - Branches
- This would mean that instructions complete as soon as possible, instead of being limited by the slowest instruction.

Proposed execution stages

1. Instruction fetch and PC increment
2. Reading sources from the register file
3. Performing an ALU computation
4. Reading or writing (data) memory
5. Storing data back to the register file

13

The clock cycle

- Things are simpler if we assume that each “stage” takes one clock cycle.
 - This means instructions will require multiple clock cycles to execute.
 - But since a single stage is fairly simple, the cycle time can be low.
- For the proposed execution stages below and the sample datapath delays shown earlier, each stage needs 2ns at most.
 - This accounts for the slowest devices, the ALU and data memory.
 - A 2ns clock cycle time corresponds to a 500MHz clock rate!

Proposed execution stages

1. Instruction fetch and PC increment
2. Reading sources from the register file
3. Performing an ALU computation
4. Reading or writing (data) memory
5. Storing data back to the register file

14

Cost benefits

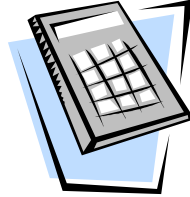
- As an added bonus, we can eliminate some of the extra hardware from the single-cycle datapath.
 - We will restrict ourselves to using each functional unit once per cycle, just like before.
 - But since instructions require multiple cycles, we could reuse some units in a *different* cycle during the execution of a single instruction.
- For example, we could use the same ALU:
 - to increment the PC (first clock cycle), and
 - for arithmetic operations (third clock cycle).

Proposed execution stages

1. Instruction fetch and PC increment
2. Reading sources from the register file
3. Performing an ALU computation
4. Reading or writing (data) memory
5. Storing data back to the register file

15

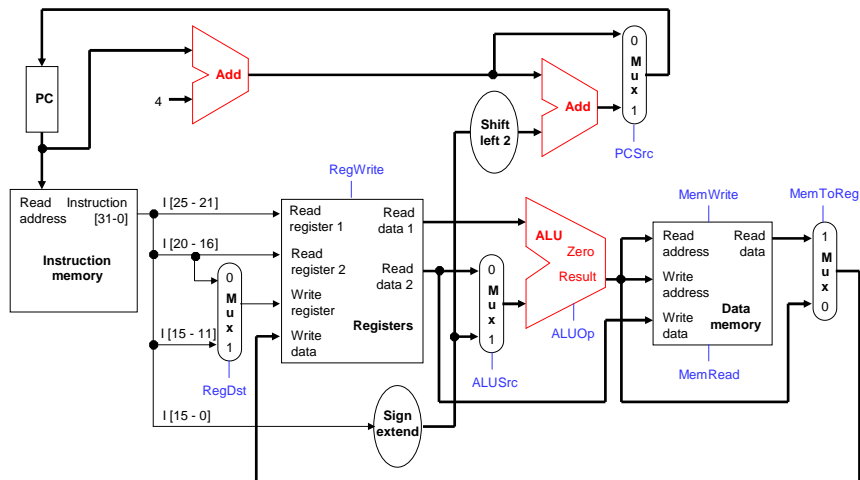
Two extra adders



- Our original single-cycle datapath had an ALU and two adders.
- The arithmetic-logic unit had two responsibilities.
 - Doing an operation on two registers for arithmetic instructions.
 - Adding a register to a sign-extended constant, to compute effective addresses for lw and sw instructions.
- One of the extra adders incremented the PC by computing $PC + 4$.
- The other adder computed branch targets, by adding a sign-extended, shifted offset to $(PC + 4)$.

16

The extra single-cycle adders



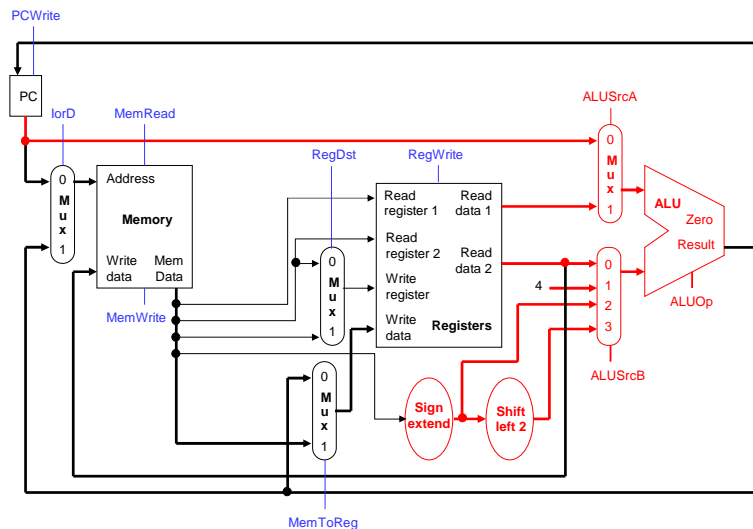
17

Our new adder setup

- We can eliminate *both* extra adders in a multicycle datapath, and instead use just one ALU, with multiplexers to select the proper inputs.
- A 2-to-1 mux **ALUSrcA** sets the first ALU input to be the PC or a register.
- A 4-to-1 mux **ALUSrcB** selects the second ALU input from among:
 - the register file (for arithmetic operations),
 - a constant 4 (to increment the PC),
 - a sign-extended constant (for effective addresses), and
 - a sign-extended and shifted constant (for branch targets).
- This permits a single ALU to perform all of the necessary functions.
 - Arithmetic operations on two register operands.
 - Incrementing the PC.
 - Computing effective addresses for lw and sw.
 - Adding a sign-extended, shifted offset to (PC + 4) for branches.

18

The multicycle adder setup highlighted



19

Eliminating a memory

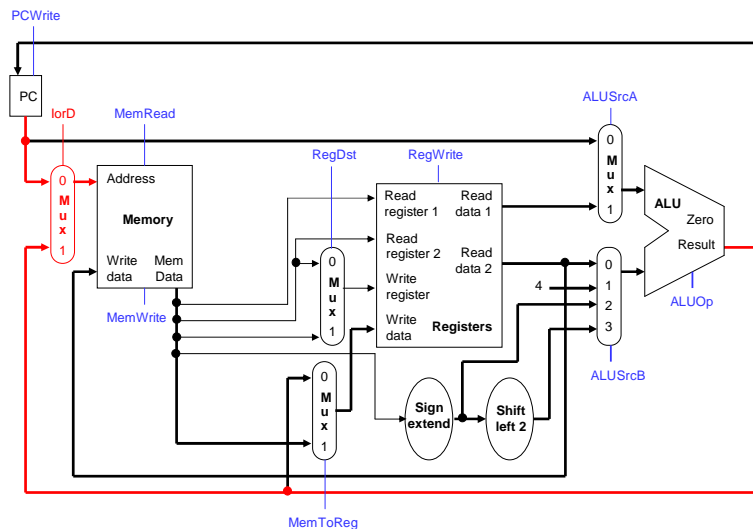
- Similarly, we can get by with one **unified memory**, which will store *both* program instructions *and* data. (a Princeton architecture)
- This memory is used in both the instruction fetch and data access stages, and the address could come from either:
 - the PC register (when we're fetching an instruction), or
 - the ALU output (for the effective address of a lw or sw).
- We add another 2-to-1 mux, **lorD**, to decide whether the memory is being accessed for instructions or for data.

Proposed execution stages

1. Instruction fetch and PC increment
2. Reading sources from the register file
3. Performing an ALU computation
4. Reading or writing (data) memory
5. Storing data back to the register file

20

The new memory setup highlighted



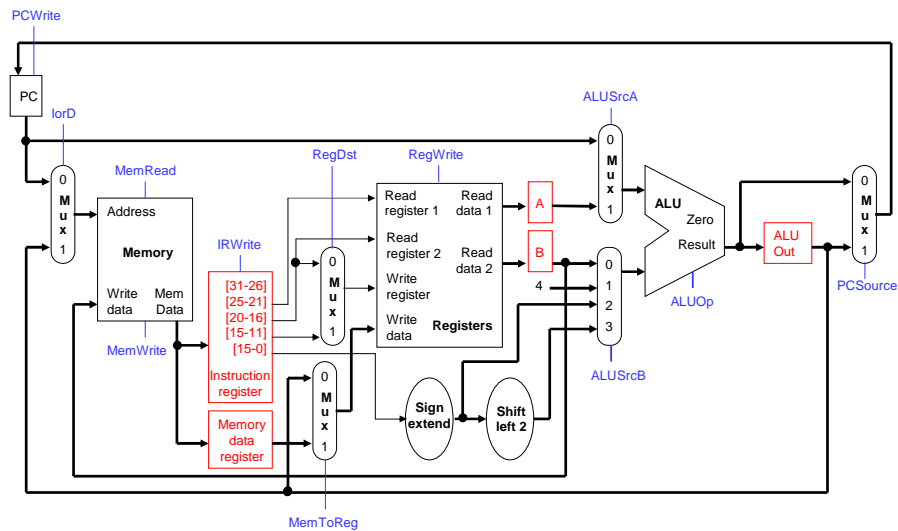
21

Intermediate registers

- Sometimes we need the output of a functional unit in a later clock cycle during the execution of one instruction.
 - The instruction word fetched in stage 1 determines the destination of the register write in stage 5.
 - The ALU result for an address computation in stage 3 is needed as the memory address for lw or sw in stage 4.
- These outputs will have to be stored in intermediate registers for future use. Otherwise they would probably be lost by the next clock cycle.
 - The instruction read in stage 1 is saved in **Instruction register**.
 - Register file outputs from stage 2 are saved in registers **A** and **B**.
 - The ALU output will be stored in a register **ALUOut**.
 - Any data fetched from memory in stage 4 is kept in the **Memory data register**, also called **MDR**.

22

The final multicycle datapath



23

Register write control signals

- We have to add a few more control signals to the datapath.
- Since instructions now take a variable number of cycles to execute, we cannot update the PC on each cycle.
 - Instead, a **PCWrite** signal controls the loading of the PC.
 - The instruction register also has a write signal, **IRWrite**. We need to keep the instruction word for the duration of its execution, and must explicitly re-load the instruction register when needed.
- The other intermediate registers, MDR, A, B and ALUOut, will store data for only one clock cycle at most, and do not need write control signals.

24

Summary

- A single-cycle CPU has two main disadvantages.
 - The cycle time is limited by the worst case latency.
 - It requires more hardware than necessary.
- A **multicycle processor** splits instruction execution into several stages.
 - Instructions only execute as many stages as required.
 - Each stage is relatively simple, so the clock cycle time is reduced.
 - Functional units can be reused on different cycles.
- We made several modifications to the single-cycle datapath.
 - The two extra adders and one memory were removed.
 - Multiplexers were inserted so the ALU and memory can be used for different purposes in different execution stages.
 - New registers are needed to store intermediate results.
- Next time, we'll look at controlling this datapath.



25