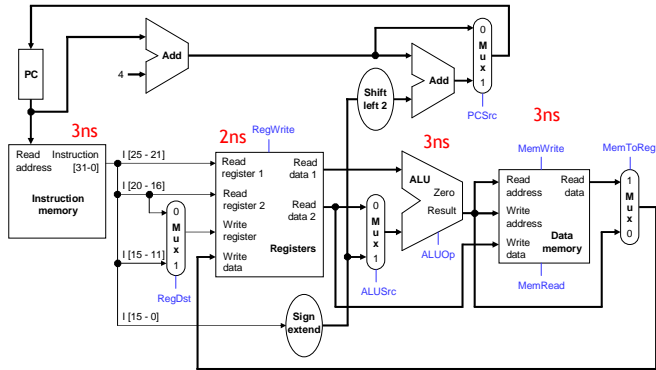
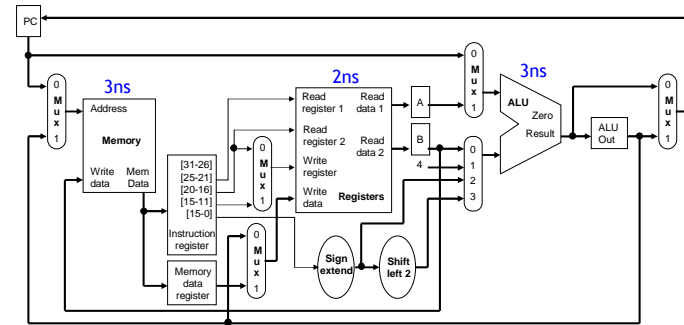


The single-cycle datapath; What is the cycle time?



3

The multi-cycle implementation; What is the cycle time?



4

Student Activity

How long (in ns) does each instruction take?

| | Single Cycle | Multi-cycle |
|------------|--------------|-------------|
| loads | | |
| stores | | |
| branches | | |
| arithmetic | | |
| Cycle Time | | |

Which ones are faster in Multi-cycle?

5

Student Activity

How long does it take to execute a sequence of four lw instructions?

| | Instruction Fetch | Register Read | ALU Operation | Data Access | Register Write |
|----------------|-------------------|---------------|---------------|-------------|----------------|
| Load Word (lw) | 200 ps | 100 ps | 200 ps | 200 ps | 100 ps |

lw \$1, 100 (\$0)

lw \$1, 104 (\$0)

lw \$1, 108 (\$0)

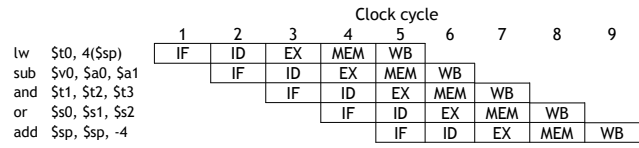
lw \$1, 112(\$0)

Single Cycle = (Time in ps)

Pipelined = (Time in ps)

Student Activity

Reading Pipeline Diagrams



1. What cycle is the "add" instruction being fetched in?
2. What is the last cycle where the "or" instruction is active?
3. What happens in cycle 4?