

Version March 4, 2011

# Introduction to Database Systems CSE 444, Winter 2011

## Lecture 24: Parallel Databases

<http://www.cs.washington.edu/education/courses/cse444/11wi/>

# Outlook

Feb 7	<b>Transactions: Concurrency Control</b> <u>lecture 14-15</u> Midterm review on the board	<b>Midterm</b>	<b>Data Storage and Indexing</b> <u>lecture 16</u> <b><u>Homework 2 due</u></b>
Feb 14	<b>Database Tuning</b> <u>lecture 17</u>	<b>Relational Algebra</b> <u>lecture 18</u>	<b>Query Processing Overview</b> <u>lecture 19</u> <b><u>Project 3 due</u></b>
Feb 21	<b>No class (Presidents Day)</b>	<b>Operator Algorithms</b> <u>lecture 20</u>	<b>Query Optimization</b> <u>lecture 21-23</u> <b><u>Homework 3 due</u></b>
Feb 28	<b>Query Optimization</b> <u>lecture 21-23</u>	<b>Query Optimization</b> <u>lecture 21-23</u>	<b>Parallel and Distributed DBMSs</b>
Mar 7	<b>Pig Latin</b> Guest lecturer <b>YongChul Kwon</b>	<b>TBA</b>	<b>Wrap-up</b> <b><u>Project 4 due</u></b>
Mar 14	<b>Final Exam</b> <b>Thursday, March 17, 8:30am-10:20am, in class</b>		

# Overview

---

- ▶ Parallel architectures and operators: Ch. 20.1
- ▶ Map-reduce: Ch. 20.2
- ▶ Semijoin reductions, full reducers: Ch. 20.4
  - ▶ We covered this a few lectures ago

# Parallel v.s. Distributed Databases

---

- ▶ **Parallel database system:**
  - ▶ Improve performance through parallel implementation
  
- ▶ **Distributed database system:**
  - ▶ Data is stored across several sites, each site managed by a DBMS capable of running independently

# Parallel DBMSs

---

- ▶ **Goal**

- ▶ Improve performance by executing multiple operations in parallel

- ▶ **Key benefit**

- ▶ Cheaper to scale than relying on a single increasingly more powerful processor

- ▶ **Key challenge**

- ▶ Ensure overhead and contention do not kill performance

# Performance Metrics for Parallel DBMSs

---

## ▶ Speedup

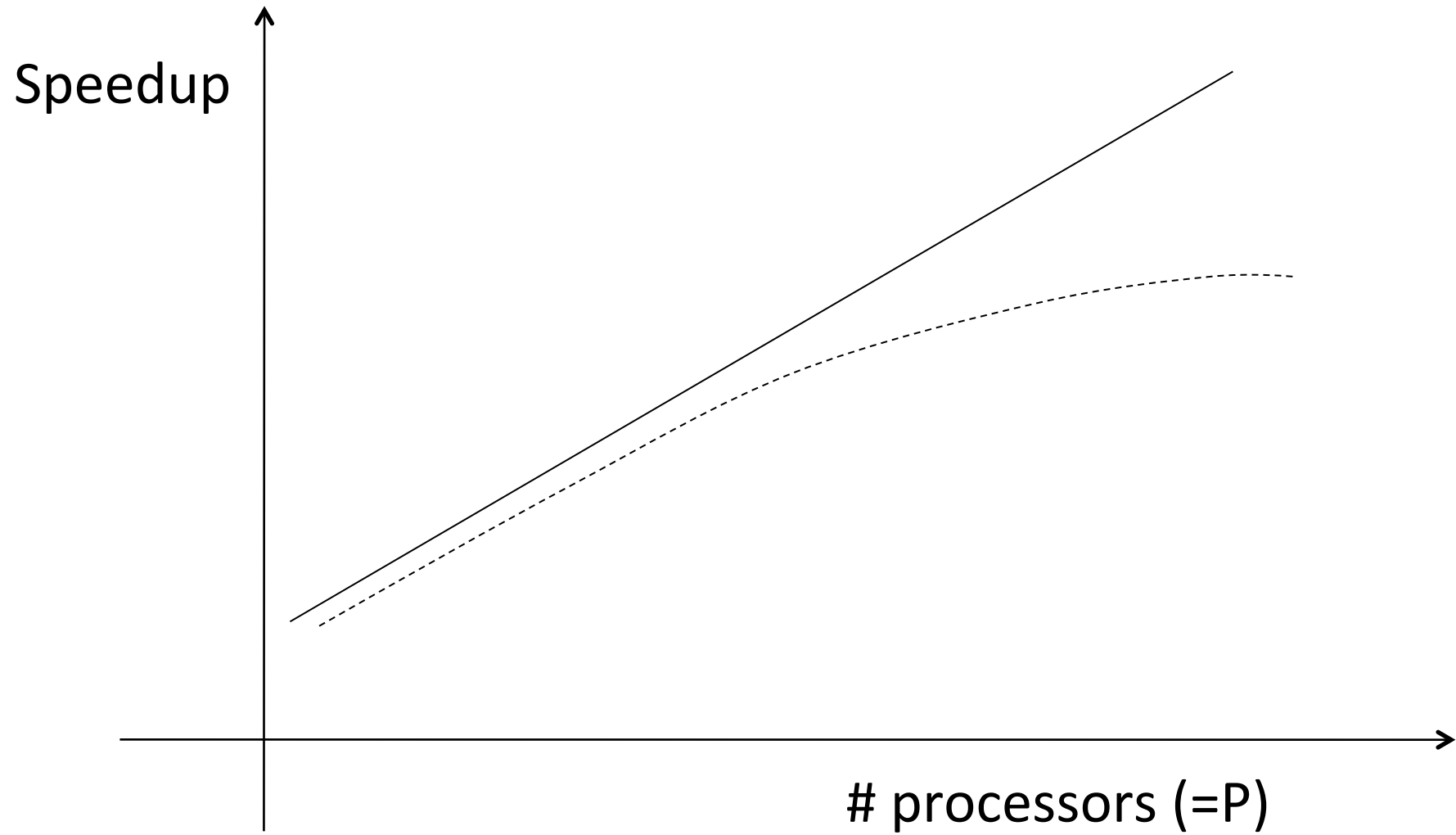
- ▶ More processors → higher speed
- ▶ Individual queries should run faster
- ▶ Should do more transactions per second (TPS)
- ▶ Fixed problem size *overall*, vary # of processors ("strong scaling")

## ▶ Scaleup

- ▶ More processors → can process more data
- ▶ Fixed problem size *per processor*, vary # of processors ("weak scaling")
- ▶ Batch scaleup
  - ▶ Same query on larger input data should take the same time
- ▶ Transaction scaleup
  - ▶ N-times as many TPS on N-times larger database
  - ▶ But each transaction typically remains small

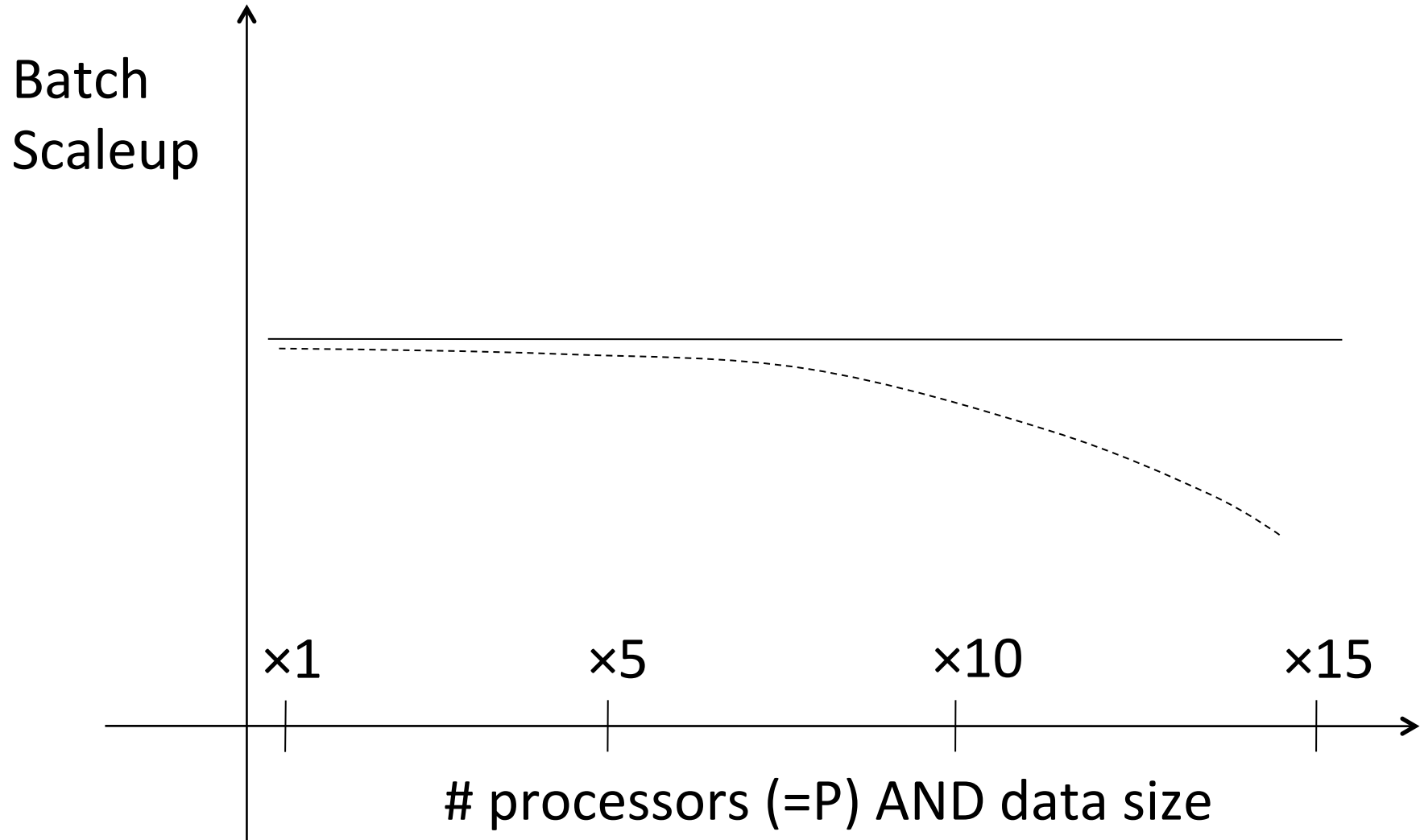
# Linear v.s. Non-linear Speedup

---



# Linear v.s. Non-linear Scaleup

---





# Challenges to Linear Speedup and Scaleup

---

- ▶ **Startup cost**

- ▶ Cost of starting an operation on many processors

- ▶ **Interference**

- ▶ Contention for resources between processors

- ▶ **Skew**

- ▶ Slowest processor becomes the bottleneck

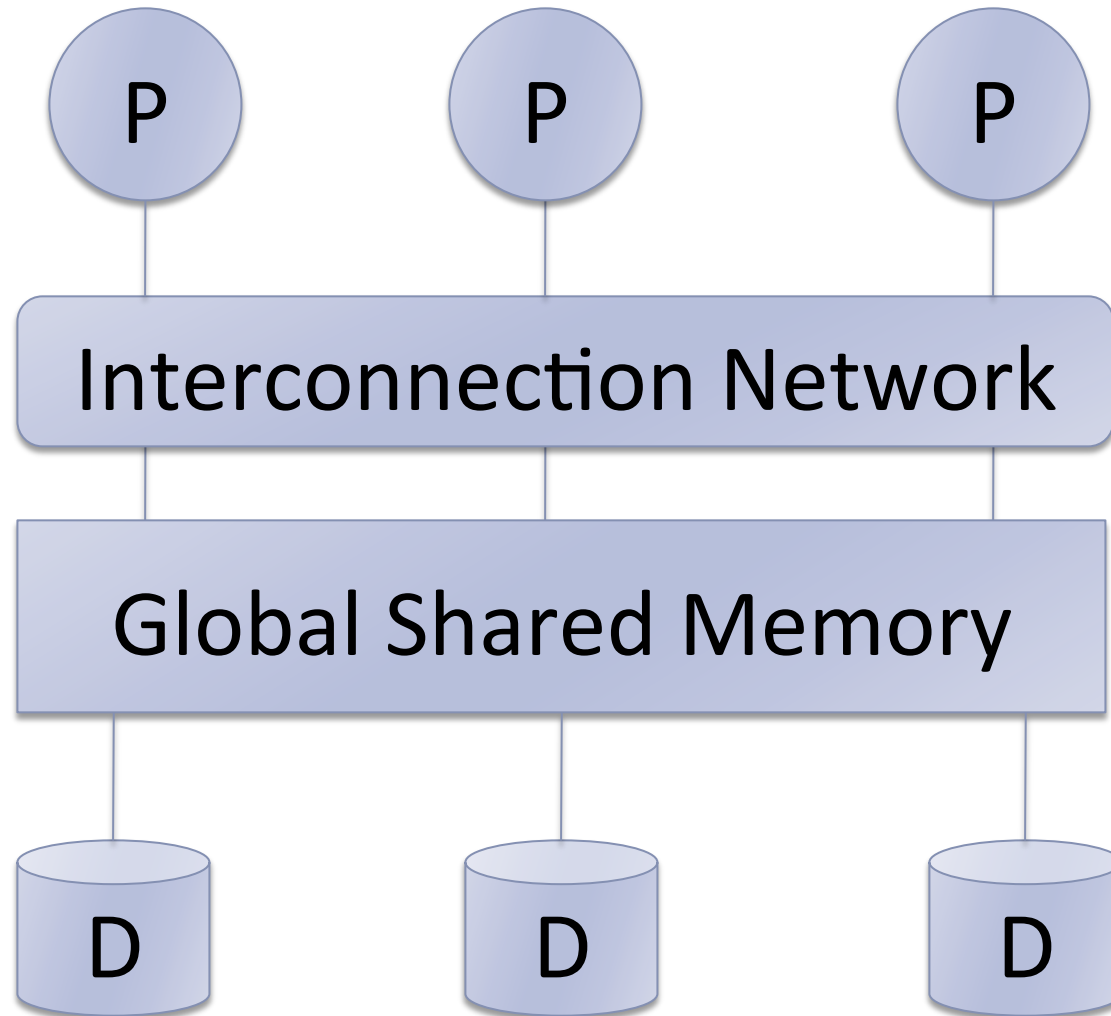
# Architectures for Parallel Databases

---

- ▶ Shared memory
- ▶ Shared disk
- ▶ Shared nothing

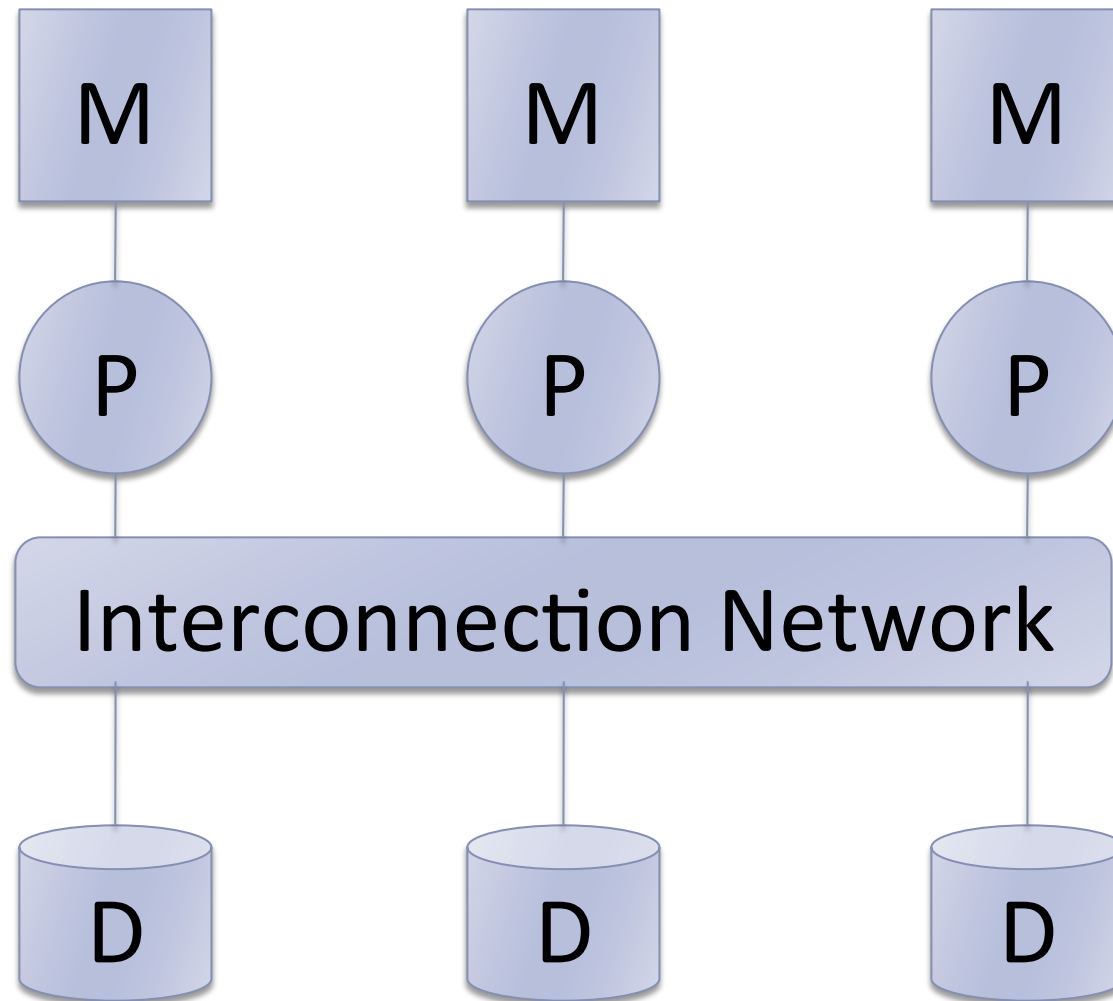
# Shared Memory

---



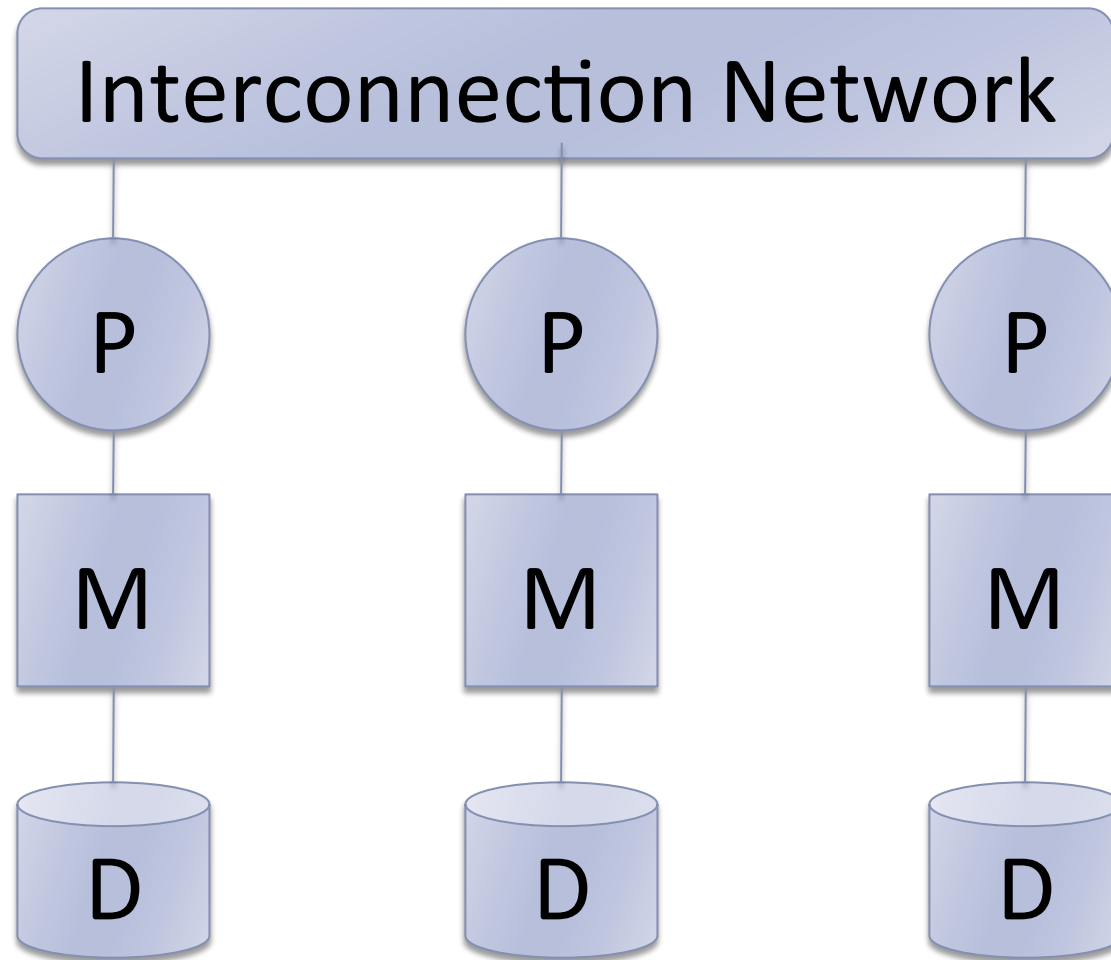
# Shared Disk

---



# Shared Nothing

---



# Shared Nothing

---

- ▶ Most scalable architecture
  - ▶ Minimizes interference by minimizing resource sharing
  - ▶ Can use commodity hardware
- ▶ Also most difficult to program and manage
- ▶ Processor = server = node
  - ▶ “Processor” != core
- ▶  $P$  = number of nodes

We will focus on shared nothing

Important question: what exactly can we actually parallelize in a parallel database?

# Taxonomy for Parallel Query Evaluation

---

- ▶ **Inter-query parallelism**
  - ▶ Each query runs on one processor
- ▶ **Inter-operator parallelism**
  - ▶ A query runs on multiple processors
  - ▶ An operator runs on one processor
- ▶ **Intra-operator parallelism**
  - ▶ An operator runs on multiple processors

# Horizontal Data Partitioning

---

- ▶ Relation  $R$  split into  $P$  chunks  $R_0, \dots, R_{P-1}$ , stored at the  $P$  nodes
- ▶ 3 ways to horizontally partition a relation:
  - ▶ **Round robin**: tuple  $t_i$  to chunk  $(i \bmod P)$
  - ▶ **Hash based partitioning on attribute  $A$** :
    - ▶ Tuple  $t$  to chunk  $h(t.A) \bmod P$
  - ▶ **Range based partitioning on attribute  $A$** :
    - ▶ Tuple  $t$  to chunk  $i$  if  $v_{i-1} < t.A < v_i$



# Horizontal Data Partitioning

---

- ▶ All three choices are just special cases:
  - ▶ For each tuple, compute  $bin = f(t)$
  - ▶ Different properties of the function  $f$  determine hash vs. range vs. round robin vs. anything

# Parallel Selection

---

Compute  $\sigma_{A=v}(R)$ , or  $\sigma_{v1 < A < v2}(R)$

- ▶ On a conventional database: cost =  $B(R)$   
(cost is here  $\sim$  time, and in worst case)
- ▶ Q: What is the cost on a parallel database with P processors ?
  - ▶ Round robin
  - ▶ Hash partitioned
  - ▶ Range partitioned

# Parallel Selection

---

- ▶ Q: What is the cost on a parallel database with  $P$  processors ? (cost is here  $\sim$  time, and in worst case)
- ▶  $\sigma$ :  $\boxed{B(R) / P}$  in all cases
- ▶ However, different processors do the work:
  - ▶ Round robin: all servers do the work
  - ▶ Hash: one server for  $\sigma_{A=v}(R)$ , all for  $\sigma_{v_1 < A < v_2}(R)$
  - ▶ Range: one server only

# Data Partitioning Revisited

---

What are the pros and cons ?

- ▶ Round robin
  - ▶ Good load balance but always needs to read all the data
- ▶ Hash based partitioning
  - ▶ Good load balance but works only for equality predicates and full scans
- ▶ Range based partitioning
  - ▶ Works well for range predicates but can suffer from data skew

## Parallel Group By: $\gamma_{A, \text{sum}(B)}(R)$

---

- ▶ Step 1: server  $i$  partitions chunk  $R_i$  using a hash function  $h(t.A) \bmod P$ :  $R_{i0}, R_{i1}, \dots, R_{i,P-1}$
- ▶ Step 2: server  $i$  sends partition  $R_{ij}$  to server  $j$
- ▶ Step 3: server  $j$  computes  $\gamma_{A, \text{sum}(B)}$  on  $R_{0j}, R_{1j}, \dots, R_{P-1,j}$

# Parallel Group By: $\gamma_{A, \text{sum}(B)}(R)$ : Cost

---

Recall conventional cost =  $3B(R)$

- ▶ Cost of Step 1:  $B(R)/P$  I/O operations
- ▶ Cost of Step 2:  $(P-1)/P B(R)$  blocks are sent, no cost
  - ▶ Network costs assumed to be much lower than I/O
- ▶ Cost of Step 3:  $2 B(R)/P$ 
  - ▶ Why ?
  - ▶ When can we reduce it to 0 ?

Total =  $3B(R) / P$  (communication costs ignored)

## Parallel Group By: $\gamma_{A, \text{sum}(B)}(R)$

---

- ▶ Can we do better?
- ▶ Sum?
- ▶ Count?
- ▶ Avg?
- ▶ Max?
- ▶ Median?

# Parallel Group By: $\gamma_{A, \text{sum}(B)}(R)$

---

## distributive (bad name)

- ▶  $\text{Sum}(B) = \text{Sum}(B_0) + \text{Sum}(B_1) + \dots + \text{Sum}(B_n)$
- ▶  $\text{Count}(B) = \text{Count}(B_0) + \text{Count}(B_1) + \dots + \text{Count}(B_n)$
- ▶  $\text{Max}(B) = \text{Max}(\text{Max}(B_0) + \text{Max}(B_1) + \dots + \text{Max}(B_n))$

## algebraic

- ▶  $\text{Avg}(B) = \text{Sum}(B) / \text{Count}(B)$

## holistic

- ▶  $\text{Median}(B) =$



# Parallel Join: $R \bowtie_{A=B} S$

---

## ▶ Step 1

- ▶ For all servers in  $[0,k]$ , server  $i$  partitions chunk  $R_i$  using a hash function  $h(t.A) \bmod P$ :  $R_{i0}, R_{i1}, \dots, R_{i,P-1}$
- ▶ For all servers in  $[k+1,P]$ , server  $j$  partitions chunk  $S_j$  using a hash function  $h(t.A) \bmod P$ :  $S_{j0}, S_{j1}, \dots, S_{j,P-1}$

## ▶ Step 2:

- ▶ Server  $i$  sends partition  $R_{iu}$  to server  $u$
- ▶ Server  $j$  sends partition  $S_{ju}$  to server  $u$

## ▶ Step 3: Server $u$ computes the join of $R_{iu}$ with $S_{ju}$

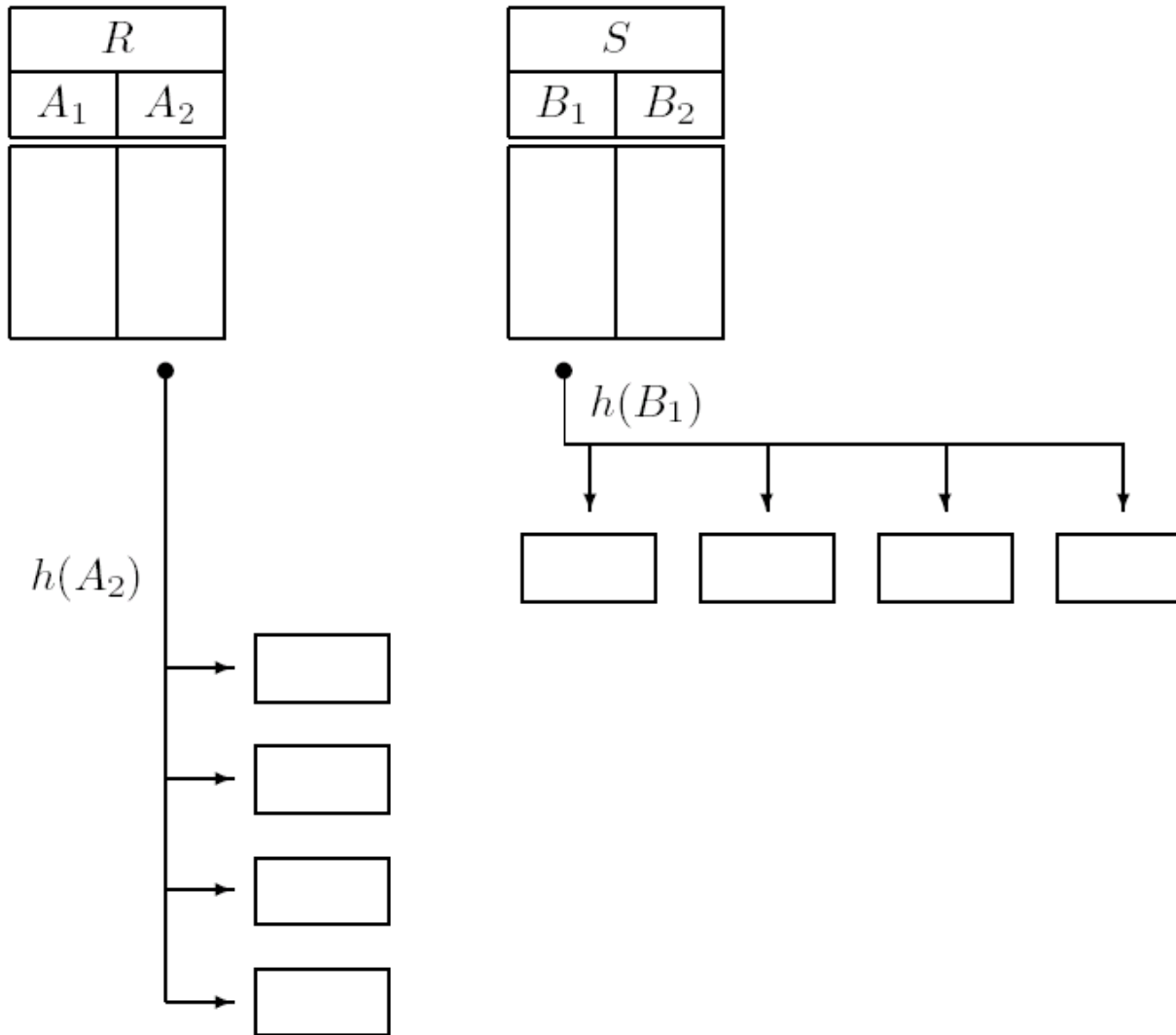
# Parallel Join: $R \bowtie_{A=B} S$ : Cost

---

- ▶ Step 1:  $(B(R) + B(S))/P$
- ▶ Step 2: 0
  - ▶  $(P-1)/P (B(R) + B(S))$  blocks are sent, but we assume network costs to be  $\ll$  disk I/O costs
- ▶ Step 3:
  - ▶ 0 if smaller table fits in main memory:  $B(S)/p \leq M$
  - ▶  $4(B(R)+B(S))/P$  otherwise
    - ▶ (1 for writing, 3 for standard two-phase join)

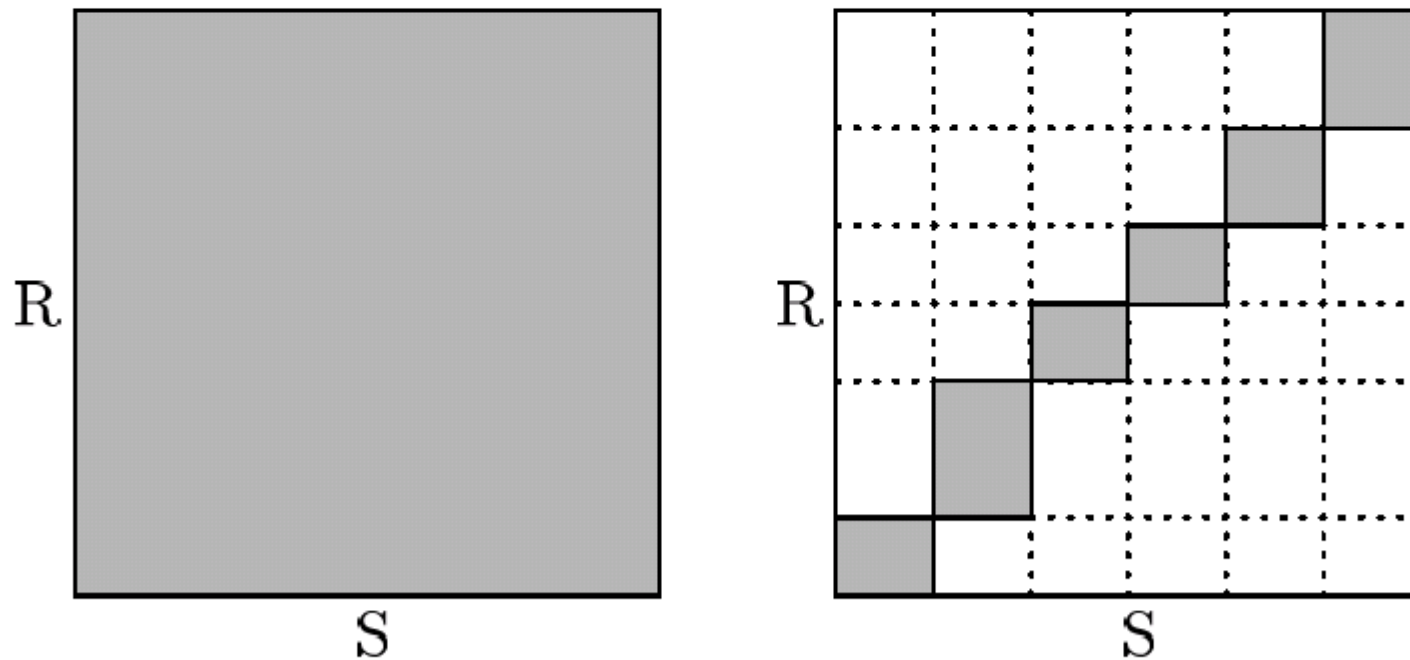
Total =  $5(B(R)+B(S))/P$  (communication costs ignored)

# Comparing Tuples "on the Diagonal"



# Comparing Tuples "on the Diagonal"

---

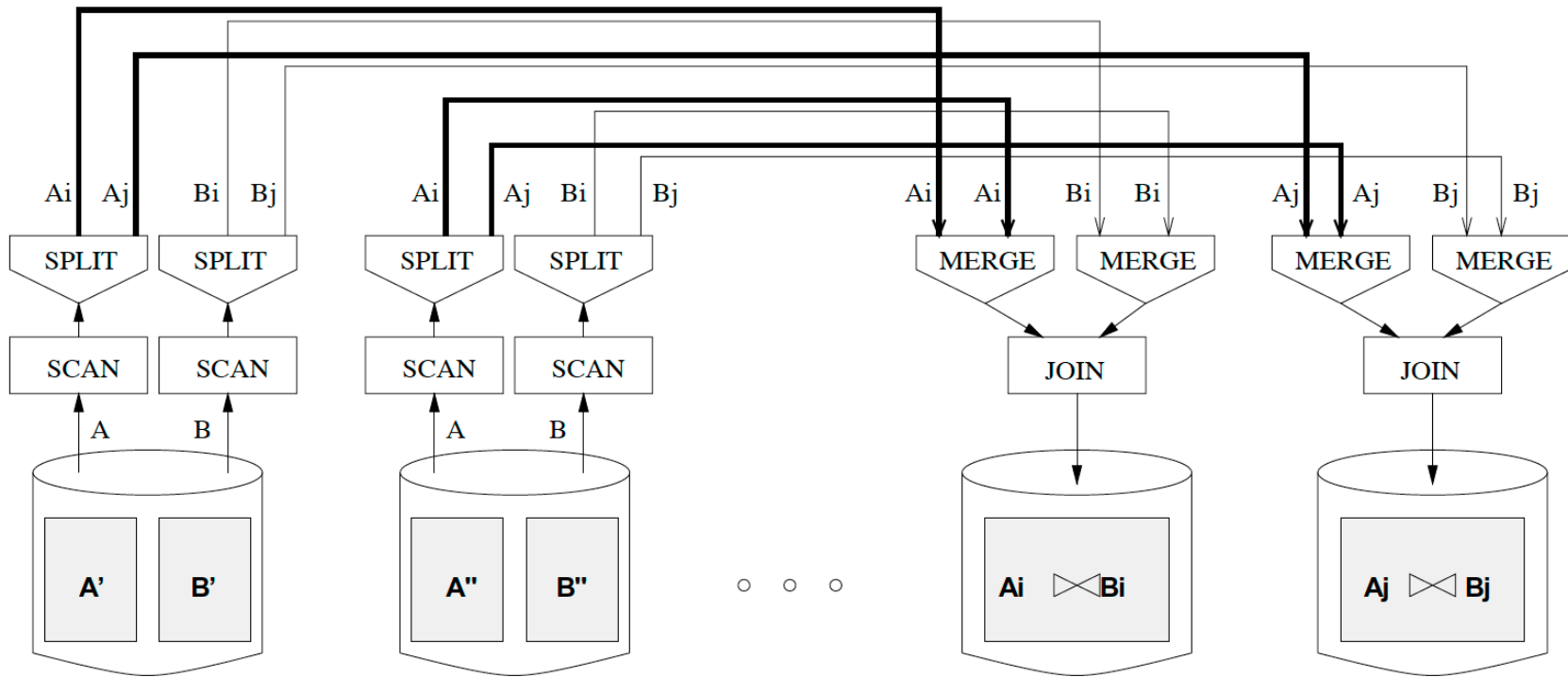


# Parallel Dataflow Implementation

---

- ▶ Use relational operators unchanged
- ▶ Add special **split** and **merge** operators
  - ▶ Handle data routing, buffering, and flow control
- ▶ Example: exchange operator
  - ▶ Inserted between consecutive operators in the query plan
  - ▶ Can act as either a producer or consumer
  - ▶ Producer pulls data from operator and sends to n consumers
    - ▶ Producer acts as driver for operators below it in query plan
  - ▶ Consumer buffers input data from n producers and makes it available to operator through getNext interface

# Parallel Dataflow Implementation



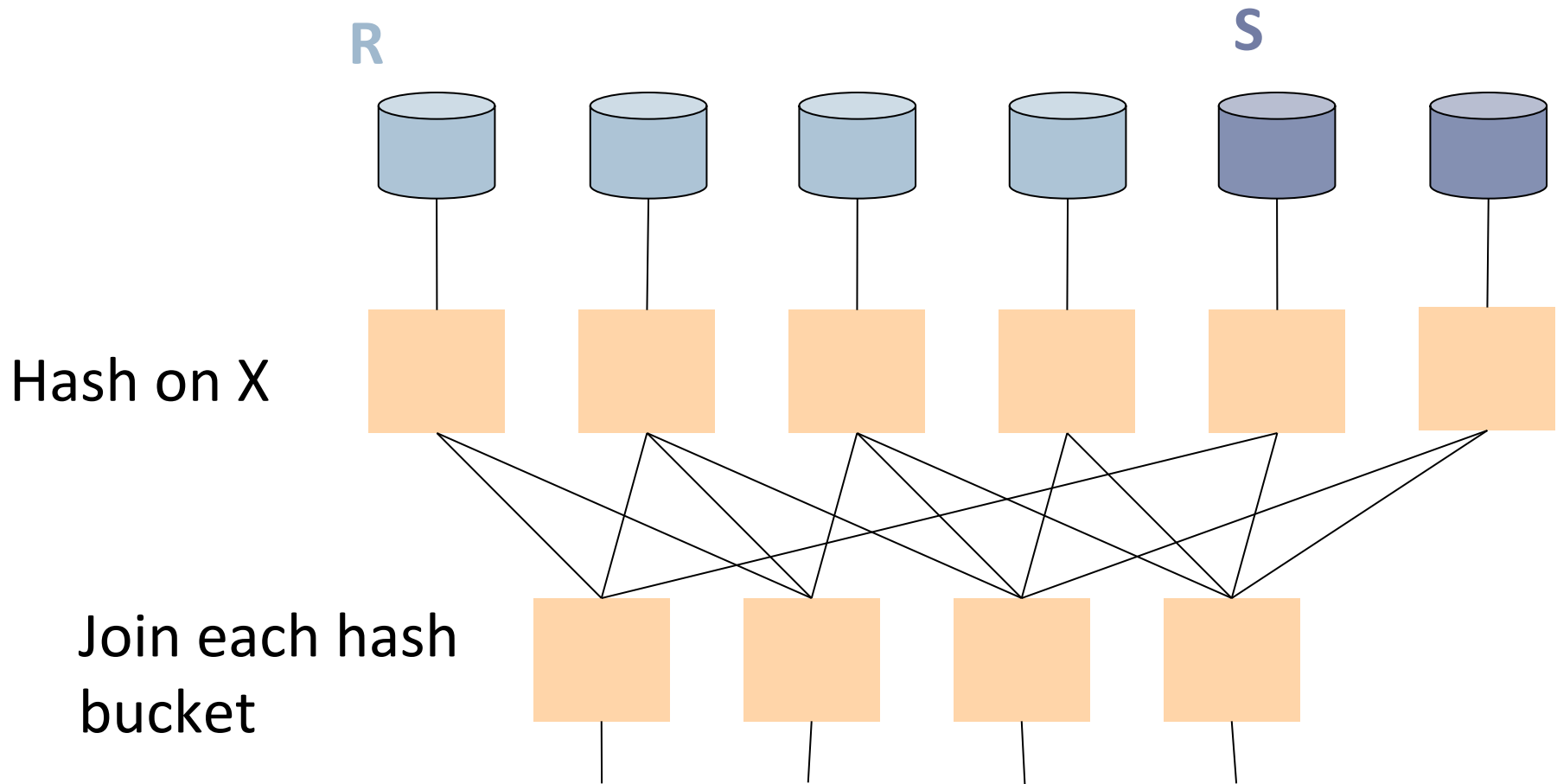
**Figure 21.3** Dataflow Network of Operators for Parallel Join

Source: Picture taken from Cow book, p. 605

[Ramakrishnan, Gehrke: Database Management Systems, 2<sup>nd</sup> ed, 2000]

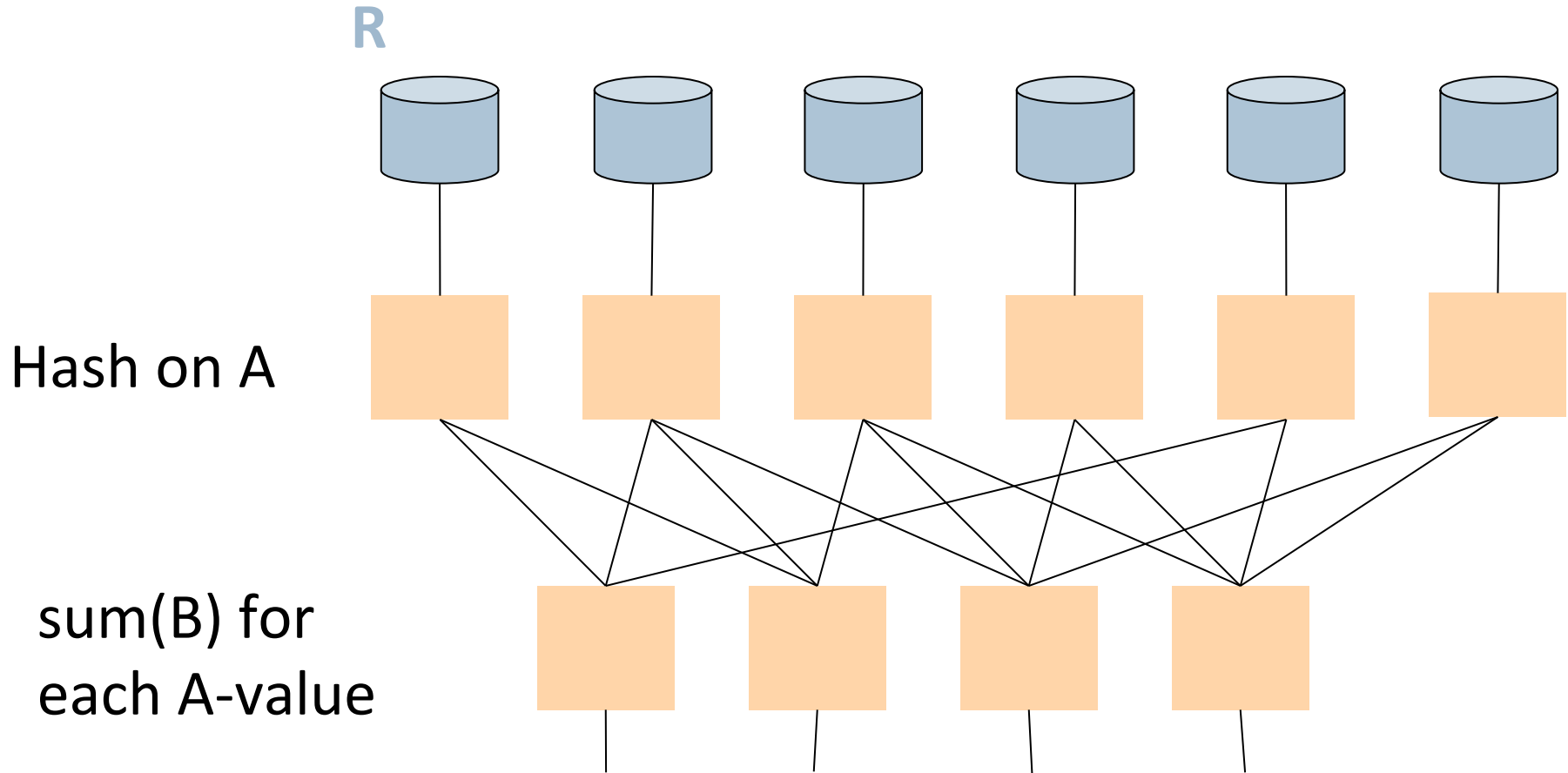
# Parallel Join: $R \bowtie_{X=X} S$

---



# Parallel Group By: $\gamma_{A, \text{sum}(B)}(R)$

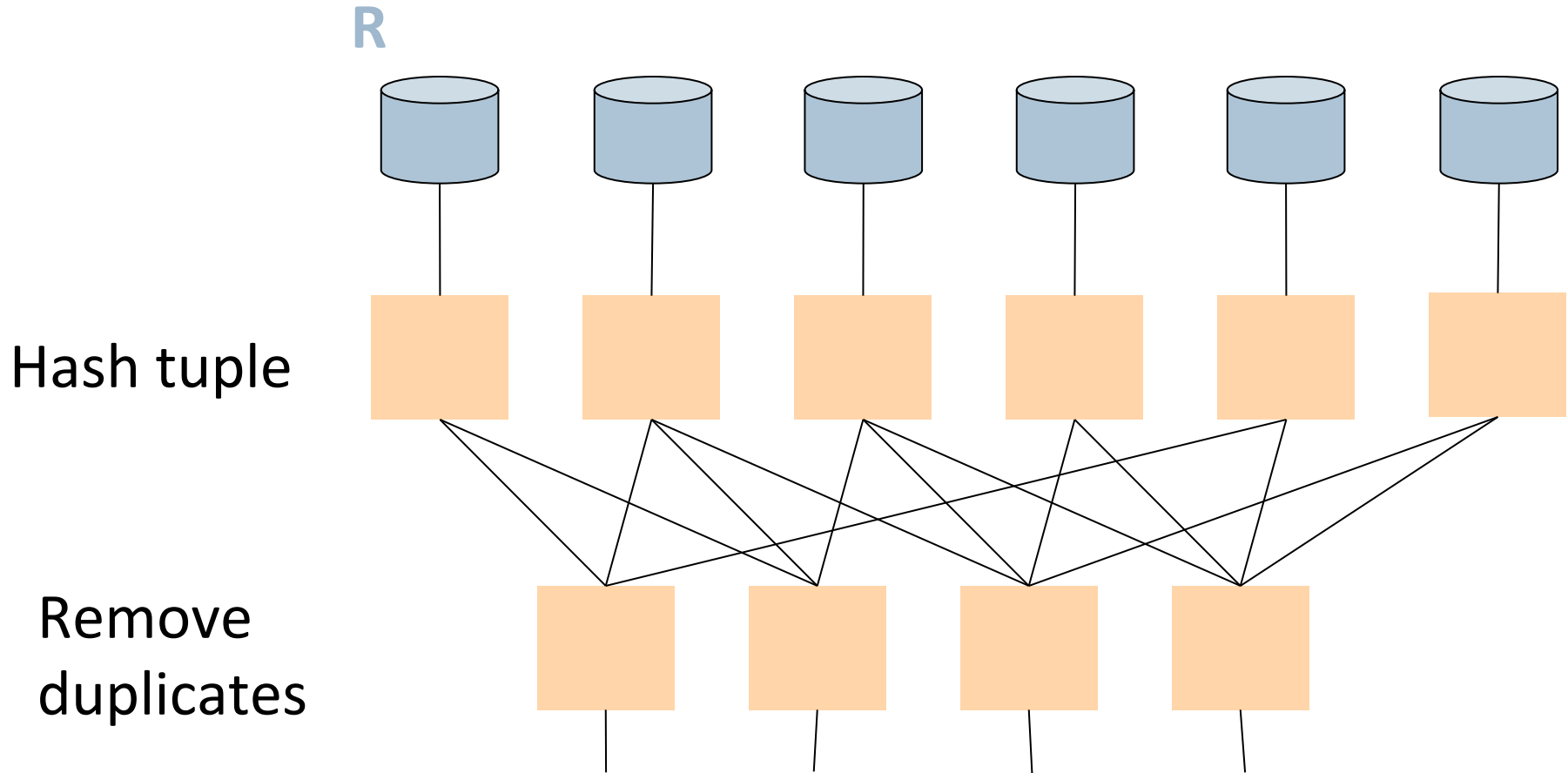
---





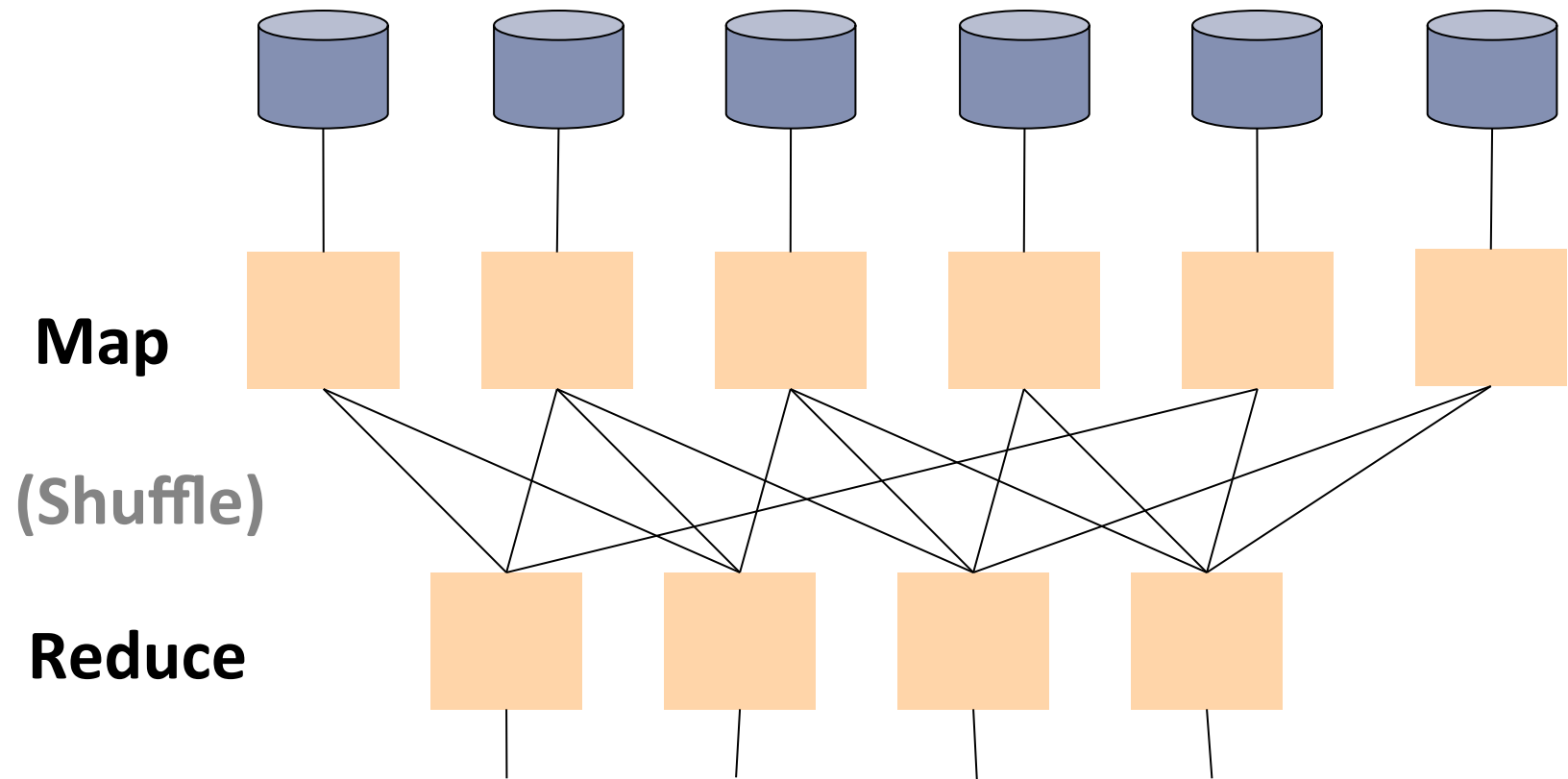
# Parallel Deduplication: $\delta (R)$

---



# Your favorite distributed algorithm...

---



# MapReduce

---

- ▶ Next: quick overview and comparison of MapReduce

# Example: Document Processing

---

## Abridged Declaration of Independence

A Declaration By the Representatives of the United States of America, in General Congress Assembled. When in the course of human events it becomes necessary for a people to advance from that subordination in which they have hitherto remained, and to assume among powers of the earth the equal and independent station to which the laws of nature and of nature's god entitle them, a decent respect to the opinions of mankind requires that they should declare the causes which impel them to the change.

We hold these truths to be self-evident; that all men are created equal and independent; that from that equal creation they derive rights inherent and inalienable, among which are the preservation of life, and liberty, and the pursuit of happiness; that to secure these ends, governments are instituted among men, deriving their just power from the consent of the governed; that whenever any form of government shall become destructive of these ends, it is the right of the people to alter or to abolish it, and to institute new government, laying it's foundation on such principles and organizing it's power in such form, as to them shall seem most likely to effect their safety and happiness. Prudence indeed will dictate that governments long established should not be changed for light and transient causes: and accordingly all experience hath shewn that mankind are more disposed to suffer while evils are sufferable, than to right themselves by abolishing the forms to which they are accustomed. But when a long train of abuses and usurpations, begun at a distinguished period, and pursuing invariably the same object, evinces a design to reduce them to arbitrary power, it is their right, it is their duty, to throw off such government and to provide new guards for future security. Such has been the patient sufferings of the colonies; and such is now the necessity which constrains them to expunge their former systems of government. the history of his present majesty is a history of unremitting injuries and usurpations, among which no one fact stands single or solitary to contradict the uniform tenor of the rest, all of which have in direct object the establishment of an absolute tyranny over these states. To prove this, let facts be submitted to a candid world, for the truth of which we pledge a faith yet unsullied by falsehood.

# Example: Word length histogram

---

## Abridged Declaration of Independence

A Declaration By the Representatives of the United States of America, in General Congress Assembled. When in the course of human events it becomes necessary for a people to advance from that subordination in which they have hitherto remained, and to assume among powers of the earth the equal and independent station to which the laws of nature and of nature's god entitle them, a decent respect to the opinions of mankind requires that they should declare the causes which impel them to the change. We hold these truths to be self-evident; that all men are created equal and independent; that from that equal creation they derive rights inherent and inalienable, among which are the preservation of life, and liberty, and the pursuit of happiness; that to secure these ends, governments are instituted among men, deriving their just power from the consent of the governed; that whenever any form of government shall become destructive of these ends, it is the right of the people to alter or to abolish it, and to institute new government, laying its foundation on such principles and organizing its power in such form, as to them shall seem most likely to effect their safety and happiness. Prudence indeed will dictate that governments long established should not be changed for light and transient causes: and accordingly all experience hath shewn that mankind are more disposed to suffer while evils are sufferable, than to right themselves by abolishing the forms to which they are accustomed. But when a long train of abuses and usurpations, begun at a distinguished period, and pursuing invariably the same object, evinces a design to reduce them to arbitrary power, it is their right, it is their duty, to throw off such government and to provide new guards for future security. Such has been the patient sufferings of the colonies; and such is now the necessity which constrains them to expunge their former systems of government. the history of his present majesty is a history of unremitting injuries and usurpations, among which no one fact stands single or solitary to contradict the uniform tenor of the rest, all of which have in direct object the establishment of an absolute tyranny over these states. To prove this, let facts be submitted to a candid world, for the truth of which we pledge a faith yet unsullied by falsehood.

How many “big”, “medium”, and “small” words are used?

# Example: Word length histogram

---

## Abridged Declaration of Independence

A Declaration By the Representatives of the United States of America, in General Congress Assembled.

When in the course of human events it becomes necessary for a people to advance from that subordination in which they have hitherto remained, and to assume among powers of the earth the equal and independent station to which the laws of nature and of nature's god entitle them, a decent respect to the opinions of mankind requires that they should declare the causes which impel them to the change.

We hold these truths to be self-evident; that all men are created equal and independent; that from that equal creation they derive rights inherent and inalienable, among which are the preservation of life, and liberty, and the pursuit of happiness; that to secure these ends, governments are instituted among men, deriving their just power from the consent of the governed; that whenever any form of government shall become destructive of these ends, it is the right of the people to alter or to abolish it, and to institute new government, laying it's foundation on such principles and organizing it's power in such form, as to them shall seem most likely to effect their safety and happiness. Prudence indeed will

dictate that governments long established should not be changed for light and transient causes: and accordingly all experience hath shewn that mankind are more disposed to suffer while evils are sufferable, than to right themselves by abolishing the forms to which they are accustomed. But when a long train of abuses and usurpations, begun at a distinguished period, and pursuing invariably the same object, evinces a design to reduce them to arbitrary power, it is their right, it is their duty, to throw off such government and to provide new guards for future security. Such has been the patient sufferings of the colonies; and such is now the necessity which constrains them to expunge their former systems of government. the history of his present majesty is a history of unremitting injuries and usurpations, among which no one fact stands single or solitary to contradict the uniform tenor of the rest, all of which have in direct object the establishment of an absolute tyranny over these states. To prove this, let facts be submitted to a candid world, for the truth of which we pledge a faith yet unsullied by falsehood.

Big = Yellow = 10+ letters

Medium = Red = 5..9 letters

Small = Blue = 2..4 letters

Tiny = Pink = 1 letter

# Example: Word length histogram

---

Process each  
chunk on a  
different computer

Chunk 1

## Abridged Declaration of Independence

A Declaration By the Representatives of the United States of America, in General Congress Assembled.

When in the course of human events it becomes necessary for a people to advance from that subordination in which they have hitherto remained, and to assume among powers of the earth the equal and independent station to which the laws of nature and of nature's god entitle them, a decent respect to the opinions of mankind requires that they should declare the causes which impel them to the change.

We hold these truths to be self-evident; that all men are created equal and independent; that from that equal creation they derive rights inherent and inalienable, among which are the preservation of life, and liberty, and the pursuit of happiness; that to secure these ends, governments are instituted among men, deriving their just power from the consent of the governed; that whenever any form of government shall become destructive of these ends, it is the right of the people to alter or to abolish it, and to institute new government, laying it's foundation on such principles and organizing it's power in such form, as to them shall seem most likely to effect their safety and happiness. Prudence indeed will

Chunk 2

dictate that governments long established should not be changed for light and transient causes: and accordingly all experience hath shewn that mankind are more disposed to suffer while evils are sufferable, than to right themselves by abolishing the forms to which they are accustomed. But when a long train of abuses and usurpations, begun at a distinguished period, and pursuing invariably the same object, evinces a design to reduce them to arbitrary power, it is their right, it is their duty, to throw off such government and to provide new guards for future security. Such has been the patient sufferings of the colonies; and such is now the necessity which constrains them to expunge their former systems of government. the history of his present majesty is a history of unremitting injuries and usurpations, among which no one fact stands single or solitary to contradict the uniform tenor of the rest, all of which have in direct object the establishment of an absolute tyranny over these states. To prove this, let facts be submitted to a candid world, for the truth of which we pledge a faith yet unsullied by falsehood.

# Example: Word length histogram

## Abridged Declaration of Independence

Map Task 1  
(204 words)

A Declaration By the Representatives of the United States of America, in General Congress Assembled.  
When in the course of human events it becomes necessary for a people to advance from that subordination in which they have hitherto remained, and to assume among powers of the earth the equal and independent station to which the laws of nature and of nature's god entitle them, a decent respect to the opinions of mankind requires that they should declare the causes which impel them to the change.  
We hold these truths to be self-evident; that all men are created equal and independent; that from that equal creation they derive rights inherent and inalienable, among which are the preservation of life, and liberty, and the pursuit of happiness; that to secure these ends, governments are instituted among men, deriving their just power from the consent of the governed; that whenever any form of government shall become destructive of these ends, it is the right of the people to alter or to abolish it, and to institute new government, laying it's foundation on such principles and organizing it's power in such form, as to them shall seem most likely to effect their safety and happiness. Prudence indeed will

(key, value)

(yellow, 17)  
(red, 77)  
(blue, 107)  
(pink, 3)

Map Task 2  
(190 words)

dictate that governments long established should not be changed for light and transient causes: and accordingly all experience hath shewn that mankind are more disposed to suffer while evils are sufferable, than to right themselves by abolishing the forms to which they are accustomed. But when a long train of abuses and usurpations, begun at a distinguished period, and pursuing invariably the same object, evinces a design to reduce them to arbitrary power, it is their right, it is their duty, to throw off such government and to provide new guards for future security. Such has been the patient sufferings of the colonies; and such is now the necessity which constrains them to expunge their former systems of government. the history of his present majesty is a history of unremitting injuries and usurpations, among which no one fact stands single or solitary to contradict the uniform tenor of the rest, all of which have in direct object the establishment of an absolute tyranny over these states. To prove this, let facts be submitted to a candid world, for the truth of which we pledge a faith yet unsullied by falsehood.

(yellow, 20)  
(red, 71)  
(blue, 93)  
(pink, 6 )



# Example: Word length histogram

“Shuffle step”

## Map task 1

A Declaration By the Representatives of the United States of America, in General Congress Assembled.

When in the course of human events it becomes necessary for a people to advance from that subordination in which they have hitherto remained, and to assume among powers of the earth the equal and independent station to which the laws of nature and of nature's god entitle them, a decent respect to the opinions of mankind requires that they should declare the causes which impel them to the change.

We hold these truths to be self-evident; that all men are created equal and independent; that from that equal creation they derive rights inherent and inalienable, among which are the preservation of life, and liberty, and the pursuit of happiness; that to secure these ends, governments are instituted among men, deriving their just power from the consent of the governed; that whenever any form of government shall become destructive of these ends, it is the right of the people to alter or to abolish it, and to institute new government, laying it's foundation on such principles and organizing it's power in such form, as to them shall seem most likely to effect their safety and happiness. Prudence indeed will

(yellow, 17)  
(red, 77)  
(blue, 107)  
(pink, 3)

## Reduce tasks

(yellow, 17) (yellow, 37)  
(yellow, 20)  
(red, 77) (red, 148)  
(red, 71)  
(blue, 93) (blue, 200)  
(blue, 107)  
(pink, 6) (pink, 9)  
(pink, 3)

## Map task 2

dictate that governments long established should not be changed for light and transient causes: and accordingly all experience hath shewn that mankind are more disposed to suffer while evils are sufferable, than to right themselves by abolishing the forms to which they are accustomed. But when a long train of abuses and usurpations, begun at a distinguished period, and pursuing invariably the same object, evinces a design to reduce them to arbitrary power, it is their right, it is their duty, to throw off such government and to provide new guards for future security. Such has been the patient sufferings of the colonies; and such is now the necessity which constrains them to expunge their former systems of government, the history of his present majesty is a history of unremitting injuries and usurpations, among which no one fact stands single or solitary to contradict the uniform tenor of the rest, all of which have in direct object the establishment of an absolute tyranny over these states. To prove this, let facts be submitted to a candid world, for the truth of which we pledge a faith yet unswerving by falsehood.

(yellow, 20)  
(red, 71)  
(blue, 93)  
(pink, 6)

# MapReduce Programming Model

---

- ▶ Input & Output: each a set of key/value pairs
- ▶ Programmer specifies two functions:

**map (in\_key, in\_value) -> list(out\_key, intermediate\_value)**

- ▶ Processes input key/value pair
- ▶ Produces set of intermediate pairs

**reduce (out\_key, list(intermediate\_value)) -> list(out\_value)**

- ▶ Combines all intermediate values for a particular key
- ▶ Produces a set of merged output values (usually just one)

Inspired by primitives from functional programming languages such as Lisp, Scheme, and Haskell

# Map Reduce

---

- ▶ Google: [Dean 2004]
- ▶ Open source implementation: Hadoop
  
- ▶ Map-reduce = high-level programming model and implementation for large-scale parallel data processing

	<b>Data Model</b>	<b>Prog. Model</b>	<b>Services</b>
<b>Relational Algebra</b>	Relations	Select, Project, Join, Aggregate, ...	optimization, physical data independence, data parallelism, indexing
<b>MapReduce</b>	[(key,value)]	Map, Reduce	massive data parallelism, fault tolerance
<b>MPI</b>	Arrays/ Matrices	70+ ops	data parallelism, full control

# Implementation

---

- ▶ There is one master node
- ▶ Master partitions input file into *M splits*, by key
- ▶ Master assigns *workers* (=servers) to the *M map tasks*, keeps track of their progress
- ▶ Workers write their output to local disk, partition into *R regions*
- ▶ Master assigns workers to the *R reduce tasks*
- ▶ Reduce workers read regions from the map workers' local disks

# Why is MapReduce Successful?

---

- ▶ **Easy**
  - ▶ Democratization of parallel computing
  - ▶ Just two serial functions
  - ▶ Time to first query: a few hours (contrast with parallel DB...)
- ▶ **Flexible**
  - ▶ Schema-free, “In situ” processing
  - ▶ “First, load your data into the database...”
  - ▶ “First, convert your images to bitmaps...”
  - ▶ “First, encode your 3D mesh as triangle soup...”
- ▶ **Fault-tolerance**

# Map-Reduce Summary

---

- ▶ Hides scheduling and parallelization details
- ▶ However, very limited queries
  - ▶ Difficult to write more complex tasks
  - ▶ Need multiple map-reduce operations
- ▶ **Solution:**
  - ▶ Use MapReduce as a runtime for higher level languages
  - ▶ **Pig** (Yahoo!, now apache project): RA-like operators
  - ▶ Hive (apache project): SQL
  - ▶ Scope (MS): SQL ! But proprietary...
  - ▶ DryadLINQ (MS): LINQ ! But also proprietary...

# MapReduce vs RDBMS

---

## ▶ RDBMS

- ▶ Declarative query languages
- ▶ Schemas
- ▶ Logical Data Independence
- ▶ Indexing
- ▶ Algebraic Optimization
- ▶ Caching/Materialized Views
- ▶ *ACID/Transactions*

## ▶ MapReduce

- ▶ High Scalability
- ▶ Fault-tolerance
- ▶ “One-person deployment”

DryadLINQ, Pig, HIVE

HIVE, Pig

Hbase

Pig, (Dryad, HIVE)



# Shared Nothing Parallel Databases

---

- ▶ Teradata
- ▶ ~~Greenplum~~ — EMC (July 2010)
- ▶ ~~Netezza~~ — IBM (Sep 2010)
- ▶ ~~Aster Data Systems~~ — Teradata (March 2011)
- ▶ ~~Datallegro~~ — Microsoft (July 2008)
- ▶ ~~Vertica~~ — HP (Feb 2011)
- ▶ MonetDB — Commercialized as Vectorwise