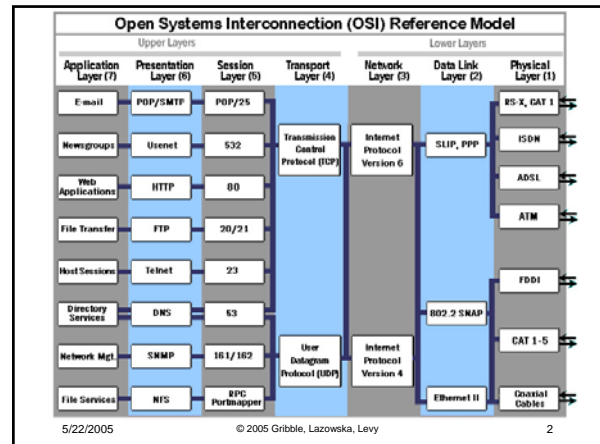


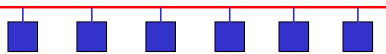
## CSE 451: Operating Systems Spring 2005

### Module 18 461 in 9 slides

Ed Lazowska  
lazowska@cs.washington.edu  
Allen Center 570



### Data link layer: Ethernet

- Broadcast network
- 
- CSMA-CD: Carrier Sense Multiple Access with Collision Detection
    - recall the “standing in a circle, drinking beer and telling stories” analogy
  - Packetized – fixed
  - Every computer has a unique physical address
    - 00-08-74-C9-C8-7E

5/22/2005 © 2005 Gribble, Lazowska, Levy 3

- Packet format

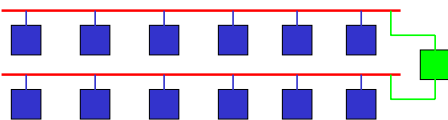


- Interface listens for its address, interrupts OS when a packet is received

5/22/2005 © 2005 Gribble, Lazowska, Levy 4

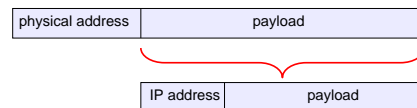
### Network layer: IP

- Internet Protocol (IP)
  - routes packets across multiple networks, from source to destination
- Every computer has a unique Internet address
  - 172.30.192.251
- Individual networks are connected by **routers** that have physical addresses (and interfaces) on each network



5/22/2005 © 2005 Gribble, Lazowska, Levy 5

- A really hairy protocol lets any node on a network find the physical address on that network of a router that can get a packet one step closer to its destination
- Packet format



5/22/2005 © 2005 Gribble, Lazowska, Levy 6

- A separate really hairy protocol, DNS (the Domain Name Service), maps from intelligible names (lazowska.org) to IP addresses (209.180.207.60)
- So to send a packet to a destination
  - use DNS to convert domain name to IP address
  - prepare IP packet, with payload prefixed by IP address
  - determine physical address of appropriate router
  - encapsulate IP packet in Ethernet packet with appropriate physical address
  - blast away!
- Detail: **port number** gets you to a specific address space on a system

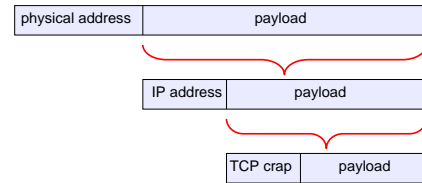
5/22/2005

© 2005 Gribble, Lazowska, Levy

7

## Transport layer: TCP

- TCP: Transmission Control Protocol
  - manages to fabricate reliable multi-packet messages out of unreliable single-packet datagrams
  - analogy: sending a book via postcards – **what's required?**



5/22/2005

© 2005 Gribble, Lazowska, Levy

8

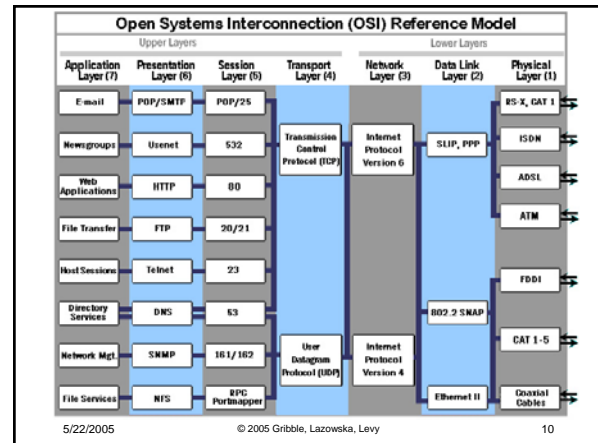
## Summary

- Using TCP/IP and lower layers, we can get **multi-packet messages** delivered **reliably** from address space **A** on machine **B** to address space **C** on machine **D**, where machines **B** and **D** are many heterogeneous network hops apart, without knowing any of the underlying details
- Higher protocol layers facilitate specific services
  - email: smtp
  - web: http
  - file transfer: ftp
  - remote login: telnet

5/22/2005

© 2005 Gribble, Lazowska, Levy

9



5/22/2005

© 2005 Gribble, Lazowska, Levy

10