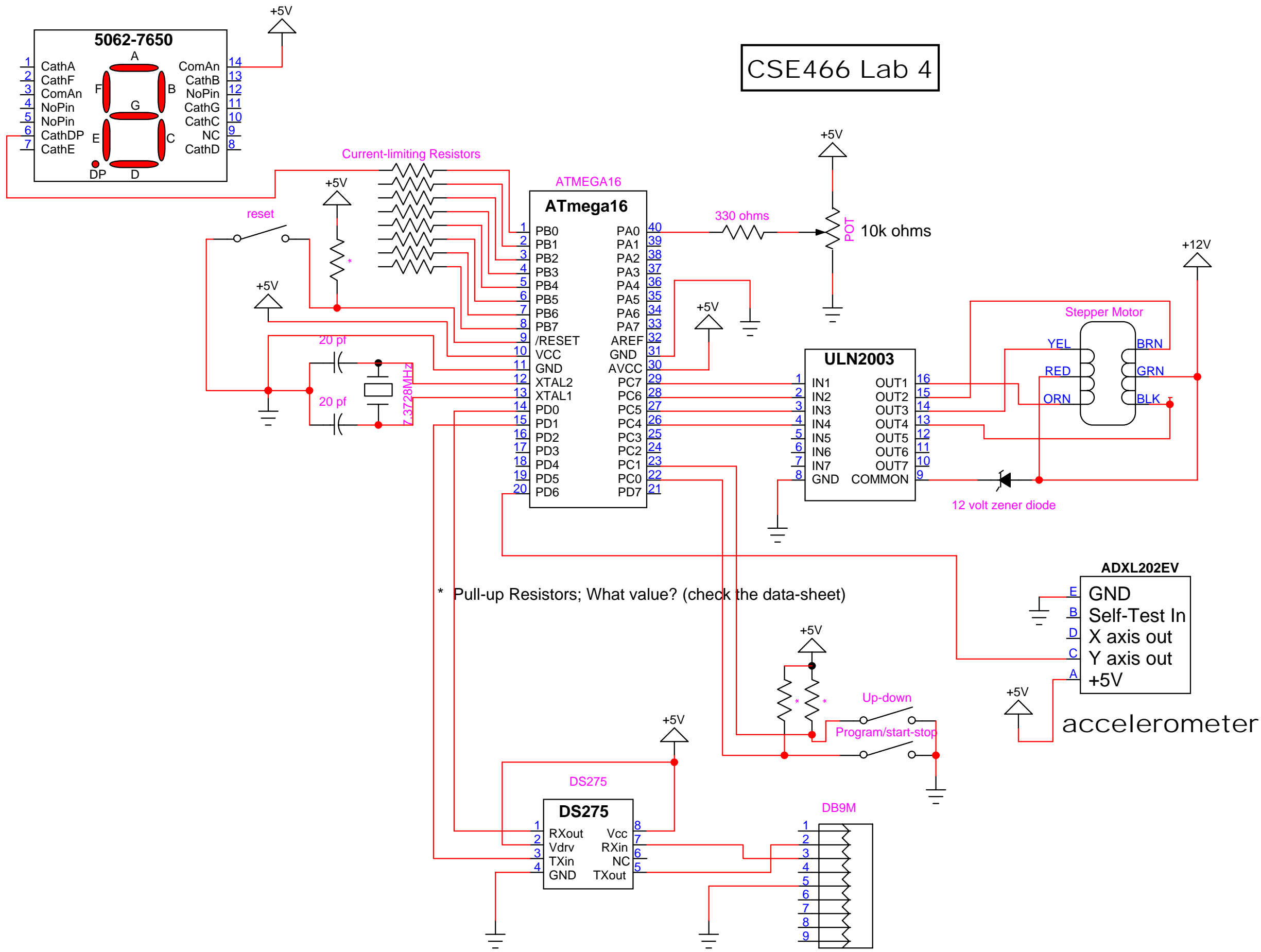


CSE466 Lab 4



* Pull-up Resistors; What value? (check the data-sheet)

accelerometer