

Issues in Multiprocessors

Which **programming model for interprocessor communication**

- shared memory
 - regular loads & stores
- message passing
 - explicit sends & receives

Which **execution model**

- control parallel
 - identify & synchronize different asynchronous threads
- data parallel
 - same operation on different parts of the shared data space

Issues in Multiprocessors

How to **express parallelism**

- automatic (compiler) detection
 - implicitly parallel C & Fortran programs, e.g., SUIF compiler
- language support
 - HPF, ZPL
- runtime library constructs
 - coarse-grain, explicitly parallel C programs

Algorithm development

- embarrassingly parallel programs could be easily parallelized
- development of different algorithms for same problem

Issues in Multiprocessors

How to get **good parallel performance**

- recognize parallelism
- transform programs to increase parallelism without decreasing processor locality
- decrease sharing costs

Flynn Classification

SISD: single instruction stream, single data stream

- single-context uniprocessors

SIMD: single instruction stream, multiple data streams

- exploits data parallelism
- example: Thinking Machines CM-1...

MISD: multiple instruction streams, single data stream

- systolic arrays
- example: Intel iWarp

MIMD: multiple instruction streams, multiple data streams

- multiprocessors
- multithreaded processors
- relies on control parallelism: execute & synchronize different asynchronous threads of control
- parallel programming & multiprogramming
- example: most processor companies have MP configurations

CM-1

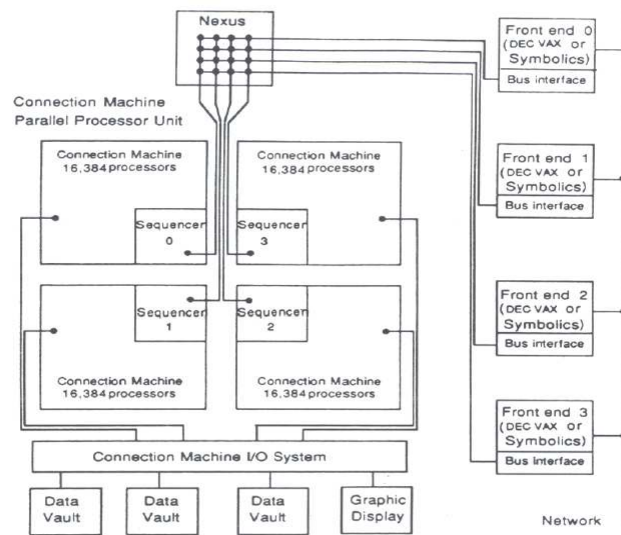
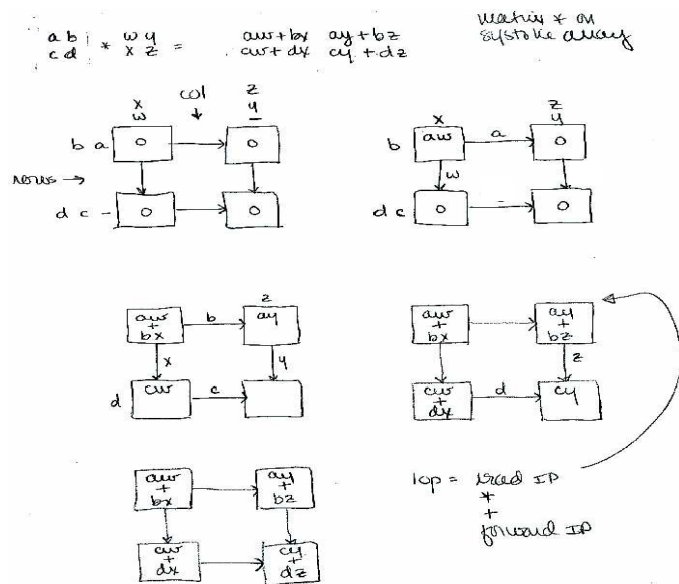


Figure 1. Connection Machine system organization.

Systolic Array

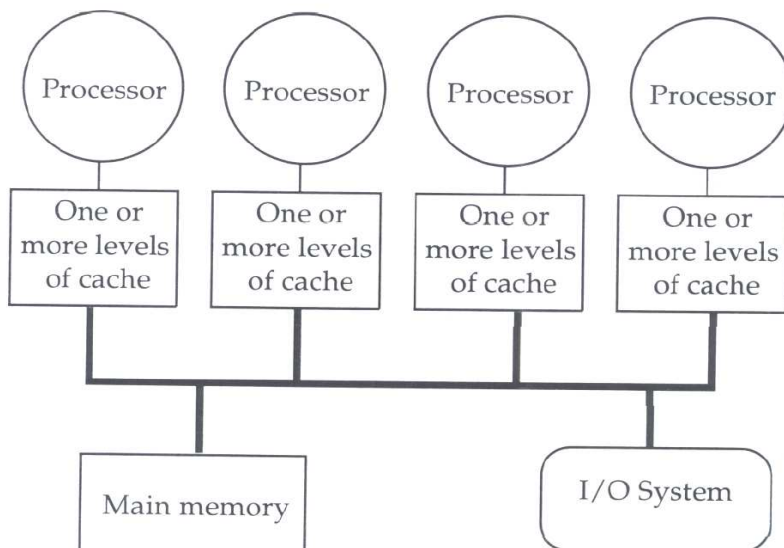


MIMD

Low-end

- bus-based
 - simple, but a bottleneck
 - simple cache coherency protocol
- physically centralized memory
- uniform memory access (UMA machine)
- Sequent Symmetry, SPARCCenter, Alpha-, PowerPC- or SPARC-based servers

Low-end MP

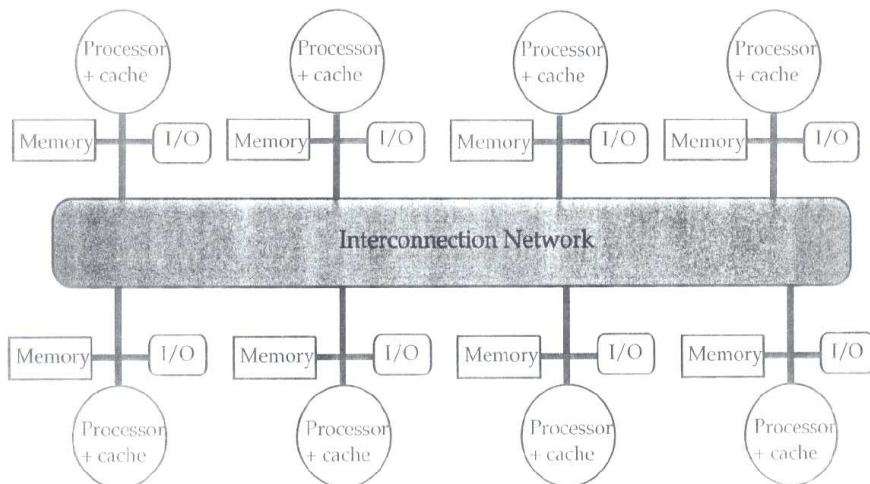


MIMD

High-end

- higher bandwidth, multiple-path interconnect
 - more scalable
 - more complex cache coherency protocol (if shared memory)
 - longer latencies
- physically distributed memory
- non-uniform memory access (NUMA machine)
- could have processor clusters
- SGI Challenge, Convex Exemplar, Cray T3D, IBM SP-2, Intel Paragon

High-end MP



MIMD Programming Models

Address space organization for physically distributed memory

- **distributed shared memory**
 - 1 (logical) global address space
- **multicomputers**
 - private address space/processor

Inter-processor communication

- **shared memory**
 - accessed via load/store instructions
 - SPARCCenter, SGI Challenge, Cray T3D, Convex Exemplar, KSR-1&2
- **message passing**
 - explicit communication by sending/receiving messages
 - TMC CM-5, Intel Paragon, IBM SP-2

Shared Memory vs. Message Passing

Shared memory

- + simple parallel programming model
 - global shared address space
 - not worry about data locality **but**
 - get better performance when program for data placement*
 - lower latency when data is local*
 - less communication when avoid false sharing*
 - **but** can do data placement if it is crucial, but don't have to
 - hardware maintains data coherence
 - synchronize to order processor's accesses to shared data
 - like uniprocessor code so parallelizing by programmer or compiler is easier
 - ⇒ can focus on program semantics, not interprocessor communication

Shared Memory vs. Message Passing

Shared memory

- + low latency (no message passing software) **but**
overlap of communication & computation
latency-hiding techniques can be applied to message passing machines
- + higher bandwidth for small transfers **but**
usually the only choice

Shared Memory vs. Message Passing

Message passing

- + abstraction in the programming model encapsulates the communication costs **but**
more complex programming model
additional language constructs
need to program for nearest neighbor communication
- + no coherency hardware
- + good throughput on large transfers **but**
what about small transfers?
- + more scalable (memory latency doesn't scale with the number of processors) **but**
large-scale SM has distributed memory also
 - **hah!** so you're going to adopt the message-passing model?

Shared Memory vs. Message Passing

Why there was a debate

- little experimental data
- not separate implementation from programming model
- can emulate one paradigm with the other
 - MP on SM machine
message buffers in local (to each processor) memory
copy messages by ld/st between buffers
 - SM on MP machine
ld/st becomes a message copy
s/ooooooooow

Who won?