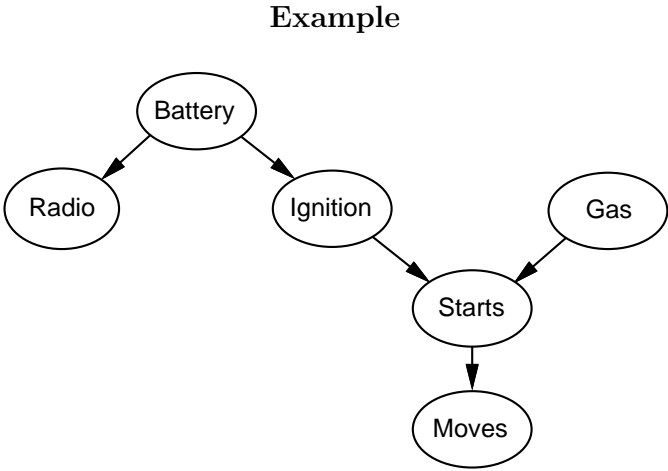
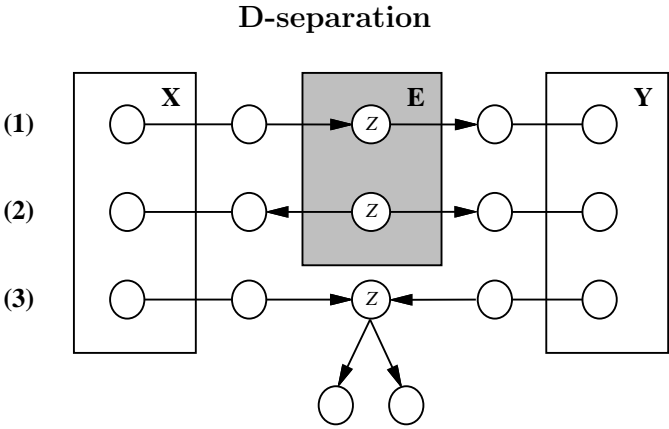


UNCERTAINTY

D-separation

- **Q:** When are nodes X independent of nodes Y given nodes E ?
- **A:** When every undirected path from a node in X to a node in Y is **d-separated** by E .



Gas and Radio are:

- Independent given Ignition
- Independent given Battery
- Independent given no evidence
- Dependent given Starts
- Dependent given Moves