

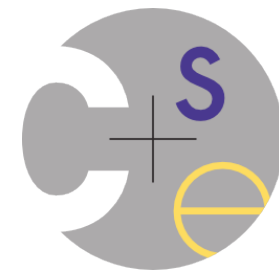
CSE 333

Lecture 3 - pointers, pointers, pointers

Hal Perkins

Department of Computer Science & Engineering

University of Washington



Administrivia

hw0 due tonight, 11 pm (standard deadline for projects)

ex2 out now, due Monday before class

ex1 solution will be posted right after class

hw1, first big project, out now, due July 11 (2 weeks)

- Don't leave it until after the July 4 holiday! ☺

Agenda

Today's goals:

- pointers
- more pointers
- pointers and call-by-reference
- arrays and pointers

& and *

&foo // virtual address of foo - “address of”
**pointer* // dereference a pointer
**pointer = value;* // dereference / assign

deref.c

```
int x = 42;  
int *p; // p is a pointer to an integer  
p = &x; // p now stores the address of x  
  
printf("x is %d\n", x);  
*p = 99;  
printf("x is %d\n", x);
```

Something curious

Let's try running this program several times:

asr.c

```
#include <stdio.h>

int main(int argc, char **argv) {
    int x = 1;
    int *p = &x;

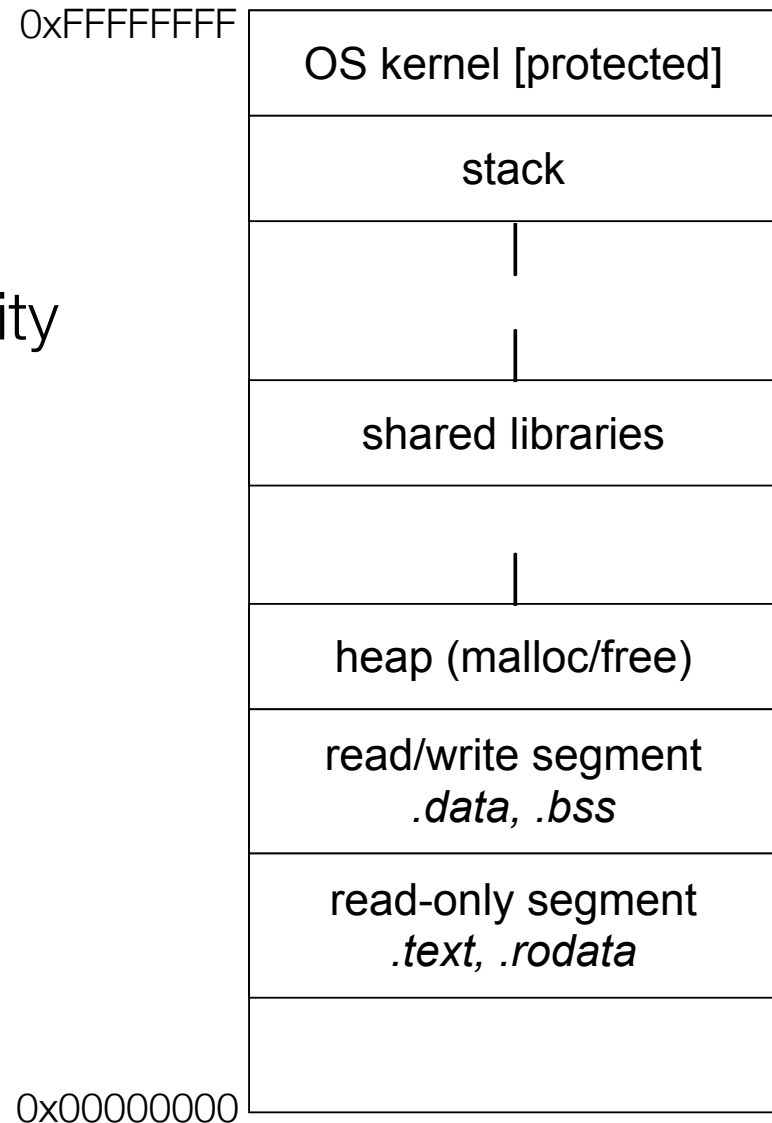
    printf("&x: %p; p: %p; &p: %p\n",
           &x, p, &p);
    return 0;
}
```

```
[bash]$ ./asr
&x: 0xbfa521dc; p: 0xbfa521dc; &p: 0xbfa521d8
[bash]$ ./asr
&x: 0xbf836f5c; p: 0xbf836f5c; &p: 0xbf836f58
[bash]$ ./asr
&x: 0xbfea39dc; p: 0xbfea39dc; &p: 0xbfea39d8
```

ASR

Linux uses address-space randomization for added security

- linux randomizes:
 - base of stack
 - shared library (mmap) location
- makes stack-based buffer overflow attacks tougher
- makes debugging tougher
- google “disable linux address space randomization”



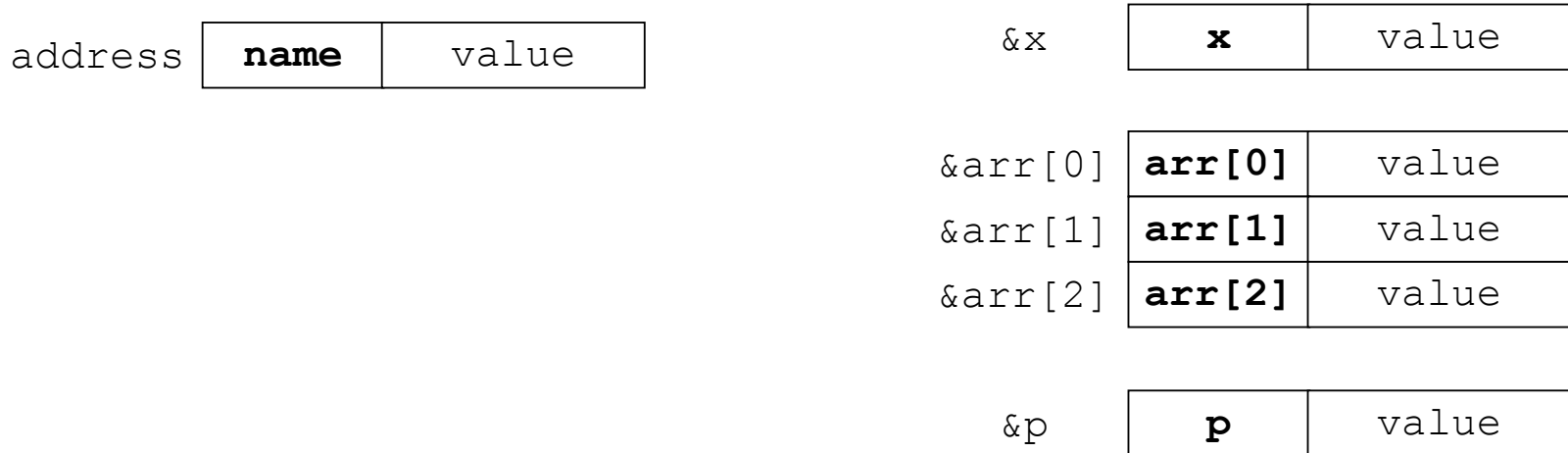
Box and arrow diagrams

boxarrow.c

```
int main(int argc, char **argv) {
    int x = 1;
    int arr[3] = {2, 3, 4};
    int *p = &arr[1];

    printf("&x: %p; x: %d\n", &x, x);
    printf("&arr[0]: %p; arr[0]: %d\n", &arr[0], arr[0]);
    printf("&arr[2]: %p; arr[2]: %d\n", &arr[2], arr[2]);
    printf("&p: %p; p: %p; *p: %d\n", &p, p, *p);

    return 0;
}
```



Box and arrow diagrams

boxarrow.c

```
int main(int argc, char **argv) {
    int x = 1;
    int arr[3] = {2, 3, 4};
    int *p = &arr[1];

    printf("&x: %p; x: %d\n", &x, x);
    printf("&arr[0]: %p; arr[0]: %d\n", &arr[0], arr[0]);
    printf("&arr[2]: %p; arr[2]: %d\n", &arr[2], arr[2]);
    printf("&p: %p; p: %p; *p: %d\n", &p, p, *p);

    return 0;
}
```

address	name	value
---------	------	-------

&x	x	1
----	----------	---

&arr[0]	arr[0]	2
&arr[1]	arr[1]	3
&arr[2]	arr[2]	4

&p	p	&arr[1]
----	----------	---------

Box and arrow diagrams

boxarrow.c

```
int main(int argc, char **argv) {
    int x = 1;
    int arr[3] = {2, 3, 4};
    int *p = &arr[1];

    printf("&x: %p; x: %d\n", &x, x);
    printf("&arr[0]: %p; arr[0]: %d\n", &arr[0], arr[0]);
    printf("&arr[2]: %p; arr[2]: %d\n", &arr[2], arr[2]);
    printf("&p: %p; p: %p; *p: %d\n", &p, p, *p);

    return 0;
}
```

address	name	value
0xbfff2dc	x	1
0xbfff2d0	arr[0]	2
0xbfff2d4	arr[1]	3
0xbfff2d8	arr[2]	4
0xbfff2cc	p	0xbfff2d4

Box and arrow diagrams

boxarrow.c

```
int main(int argc, char **argv) {
    int x = 1;
    int arr[3] = {2, 3, 4};
    int *p = &arr[1];

    printf("&x: %p; x: %d\n", &x, x);
    printf("&arr[0]: %p; arr[0]: %d\n", &arr[0], arr[0]);
    printf("&arr[2]: %p; arr[2]: %d\n", &arr[2], arr[2]);
    printf("&p: %p; p: %p; *p: %d\n", &p, p, *p);

    return 0;
}
```

address	name	value
---------	------	-------

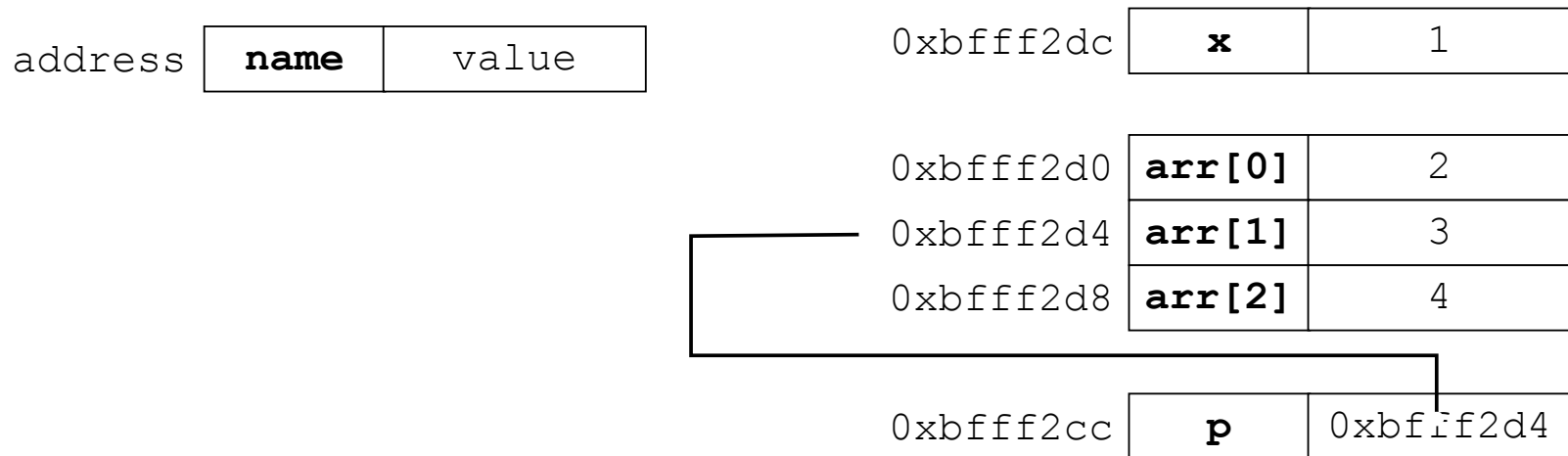
0xbfff2dc	x	1
0xbfff2d8	arr[2]	4
0xbfff2d4	arr[1]	3
0xbfff2d0	arr[0]	2
0xbfff2cc	p	0xbfff2d4

main()'s stack frame

Box and arrow diagrams

boxarrow.c

```
int main(int argc, char **argv) {  
    int x = 1;  
    int arr[3] = {2, 3, 4};  
    int *p = &arr[1];  
  
    printf("&x: %p; x: %d\n", &x, x);  
    printf("&arr[0]: %p; arr[0]: %d\n", &arr[0], arr[0]);  
    printf("&arr[2]: %p; arr[2]: %d\n", &arr[2], arr[2]);  
    printf("&p: %p; p: %p; *p: %d\n", &p, p, *p);  
  
    return 0;  
}
```



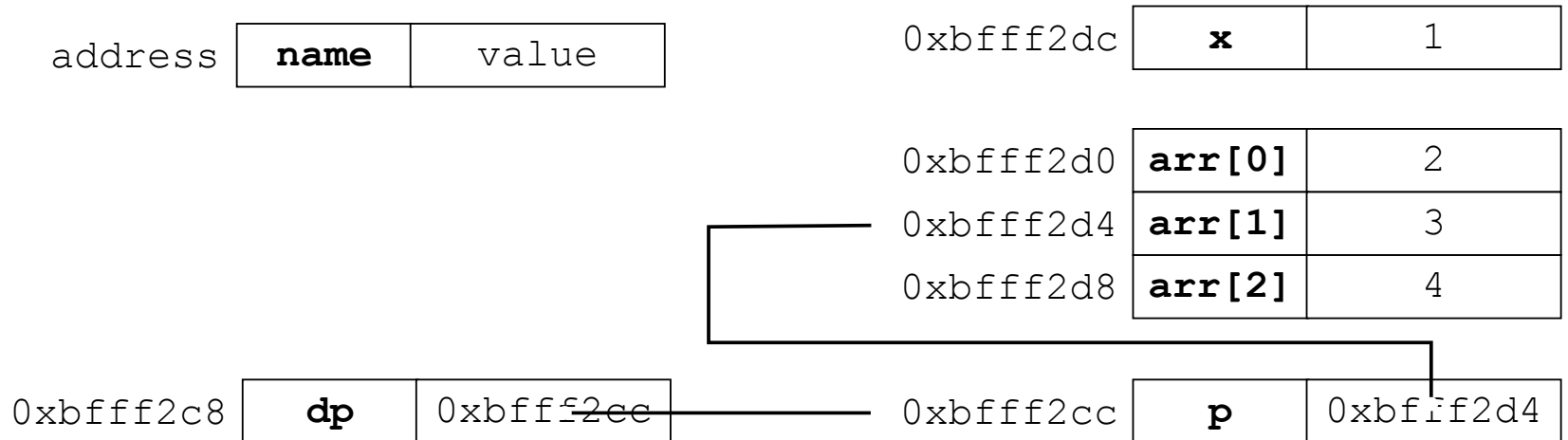
Box and arrow diagrams

boxarrow2.c

```

int main(int argc, char **argv) {
    int x = 1;
    int arr[3] = {2, 3, 4};
    int *p = &arr[1];
    int **dp = &p; ←
    (*dp) += 1;
    p += 1;
    (*dp) += 1;
    return 0;
}

```



Box and arrow diagrams

boxarrow2.c

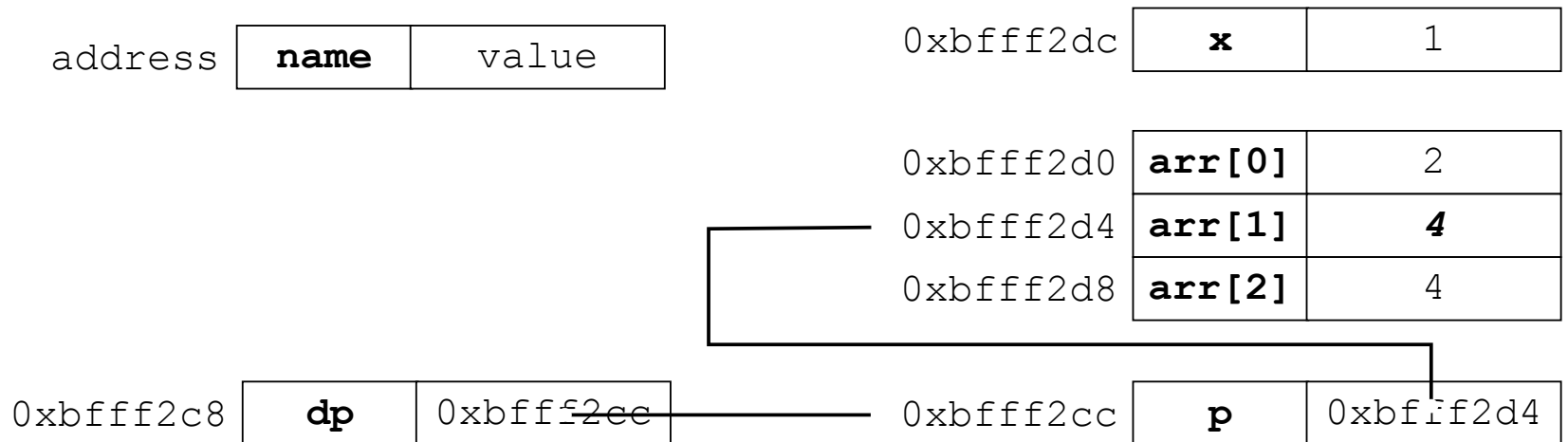
```

int main(int argc, char **argv) {
    int x = 1;
    int arr[3] = {2, 3, 4};
    int *p = &arr[1];
    int **dp = &p;

    *(*dp) += 1; ←
    p += 1;
    *(*dp) += 1;

    return 0;
}

```



Box and arrow diagrams

boxarrow2.c

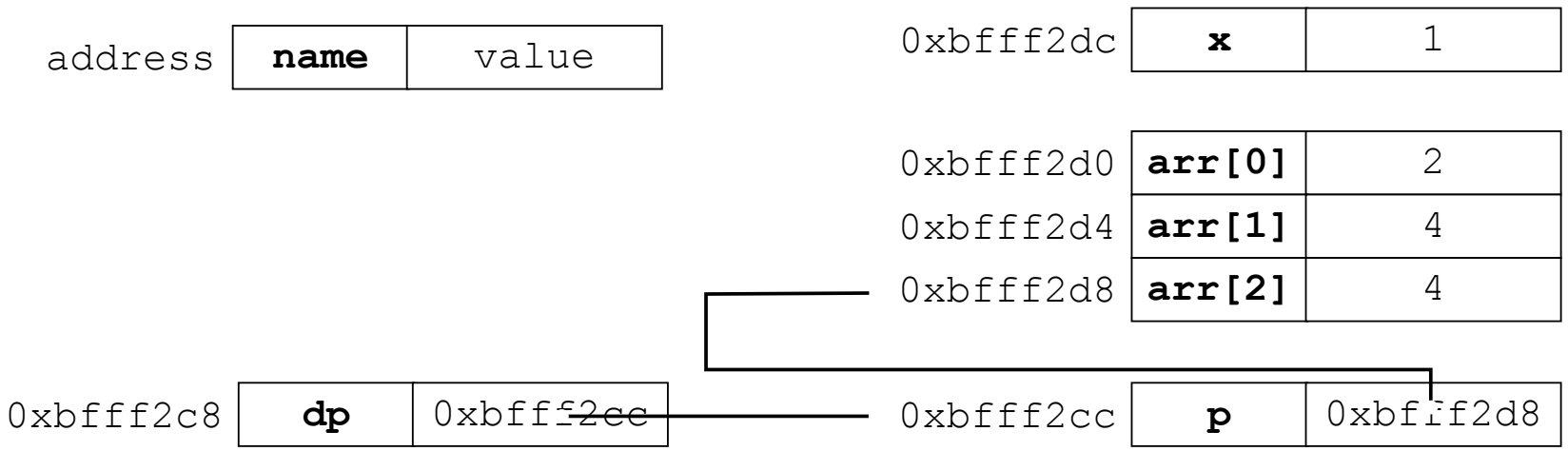
```

int main(int argc, char **argv) {
    int x = 1;
    int arr[3] = {2, 3, 4};
    int *p = &arr[1];
    int **dp = &p;

   >(*dp) += 1;
    p += 1;
   >(*dp) += 1;

    return 0;
}

```



Box and arrow diagrams

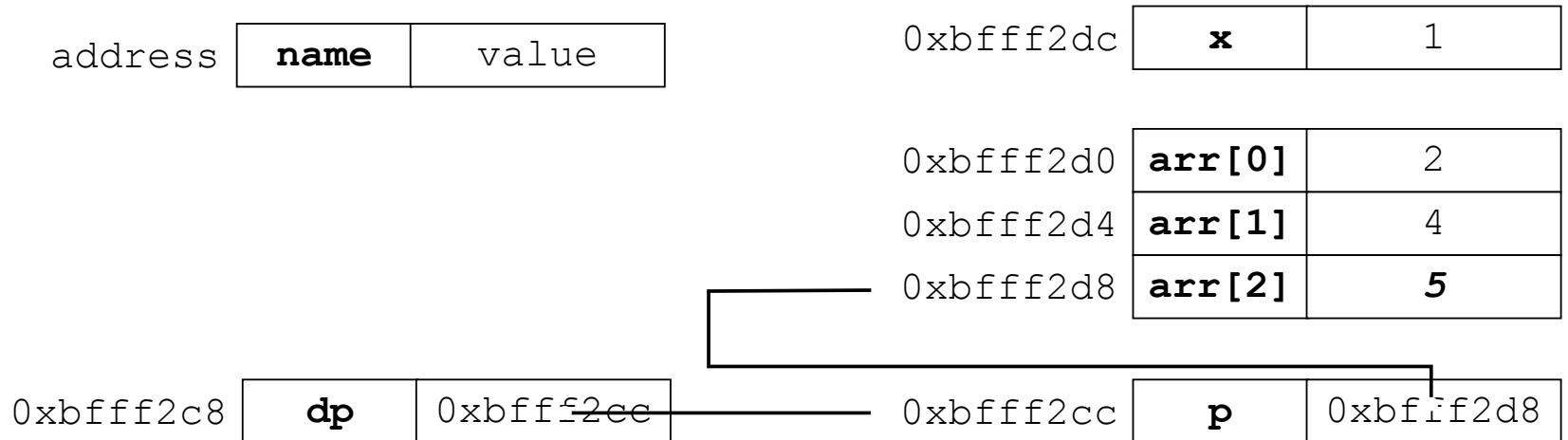
boxarrow2.c

```

int main(int argc, char **argv) {
    int x = 1;
    int arr[3] = {2, 3, 4};
    int *p = &arr[1];
    int **dp = &p;

   >(*dp) += 1;
    p += 1;
   >(*dp) += 1; ←
    return 0;
}

```



Pointer arithmetic

Pointers are typed

- `int *int_ptr; VS. char *char_ptr;`
- pointer arithmetic obeys those types
- see *pointerarithmetic.c*


```

#include <stdio.h>

int main(int argc, char **argv) {
    int arr[3] = {1, 2, 3};
    int *int_ptr = &arr[0];
    char *char_ptr = (char *) int_ptr;

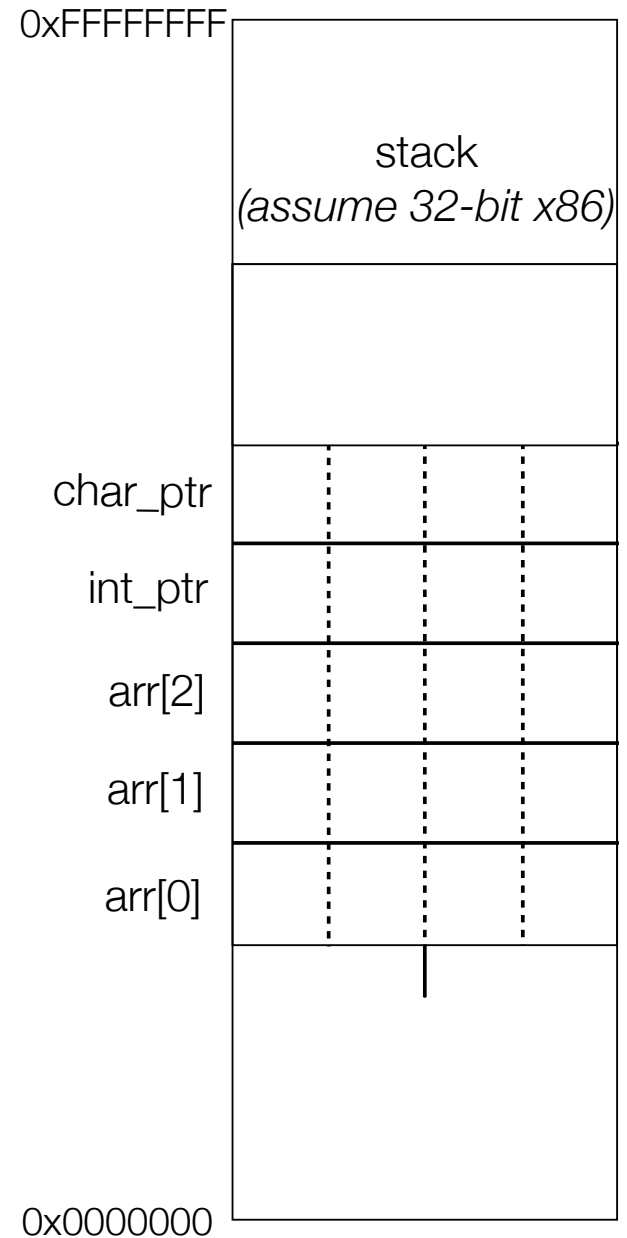
    printf("int_ptr: %p; *int_ptr: %d\n",
           int_ptr, *int_ptr);
    int_ptr += 1;
    printf("int_ptr: %p; *int_ptr: %d\n",
           int_ptr, *int_ptr);
    int_ptr += 2; // uh oh
    printf("int_ptr: %p; *int_ptr: %d\n",
           int_ptr, *int_ptr);

    printf("char_ptr: %p; *char_ptr: %d\n",
           char_ptr, *char_ptr);
    char_ptr += 1;
    printf("char_ptr: %p; *char_ptr: %d\n",
           char_ptr, *char_ptr);
    char_ptr += 2;
    printf("char_ptr: %p; *char_ptr: %d\n",
           char_ptr, *char_ptr);

    return 0;
}

```

pointerarithmetic.c



```

#include <stdio.h>

int main(int argc, char **argv) {
    int arr[3] = {1, 2, 3};
    int *int_ptr = &arr[0];
    char *char_ptr = (char *) int_ptr;

    printf("int_ptr: %p; *int_ptr: %d\n",
           int_ptr, *int_ptr);
    int_ptr += 1;
    printf("int_ptr: %p; *int_ptr: %d\n",
           int_ptr, *int_ptr);
    int_ptr += 2; // uh oh
    printf("int_ptr: %p; *int_ptr: %d\n",
           int_ptr, *int_ptr);

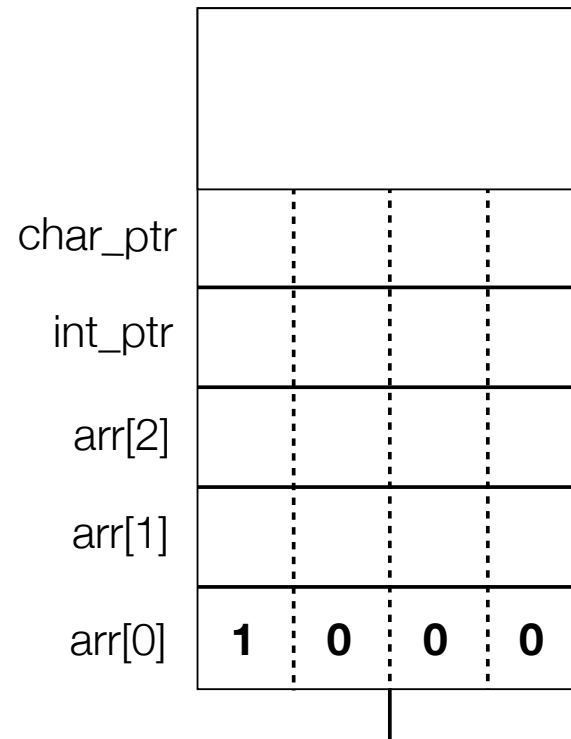
    printf("char_ptr: %p; *char_ptr: %d\n",
           char_ptr, *char_ptr);
    char_ptr += 1;
    printf("char_ptr: %p; *char_ptr: %d\n",
           char_ptr, *char_ptr);
    char_ptr += 2;
    printf("char_ptr: %p; *char_ptr: %d\n",
           char_ptr, *char_ptr);

    return 0;
}

```

pointerarithmetic.c

stack
(assume 32-bit x86)



(x86 is little endian)

```

#include <stdio.h>

int main(int argc, char **argv) {
    int arr[3] = {1, 2, 3};
    int *int_ptr = &arr[0];
    char *char_ptr = (char *) int_ptr;

    printf("int_ptr: %p; *int_ptr: %d\n",
           int_ptr, *int_ptr);
    int_ptr += 1;
    printf("int_ptr: %p; *int_ptr: %d\n",
           int_ptr, *int_ptr);
    int_ptr += 2; // uh oh
    printf("int_ptr: %p; *int_ptr: %d\n",
           int_ptr, *int_ptr);

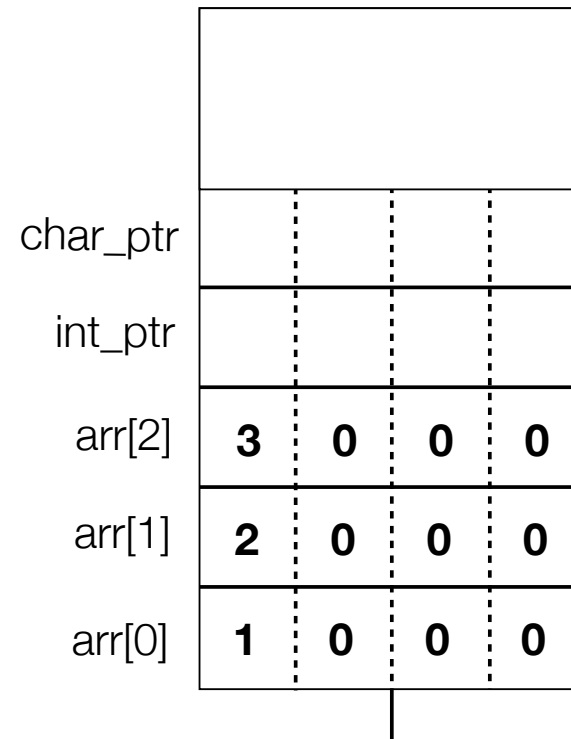
    printf("char_ptr: %p; *char_ptr: %d\n",
           char_ptr, *char_ptr);
    char_ptr += 1;
    printf("char_ptr: %p; *char_ptr: %d\n",
           char_ptr, *char_ptr);
    char_ptr += 2;
    printf("char_ptr: %p; *char_ptr: %d\n",
           char_ptr, *char_ptr);

    return 0;
}

```

pointerarithmetic.c

stack
(assume 32-bit x86)



```

#include <stdio.h>

int main(int argc, char **argv) {
    int arr[3] = {1, 2, 3};
    int *int_ptr = &arr[0];
    char *char_ptr = (char *) int_ptr;

    printf("int_ptr: %p; *int_ptr: %d\n",
           int_ptr, *int_ptr);
    int_ptr += 1;
    printf("int_ptr: %p; *int_ptr: %d\n",
           int_ptr, *int_ptr);
    int_ptr += 2; // uh oh
    print("int_ptr: %p; *int_ptr: %d\n",
          int_ptr, *int_ptr);

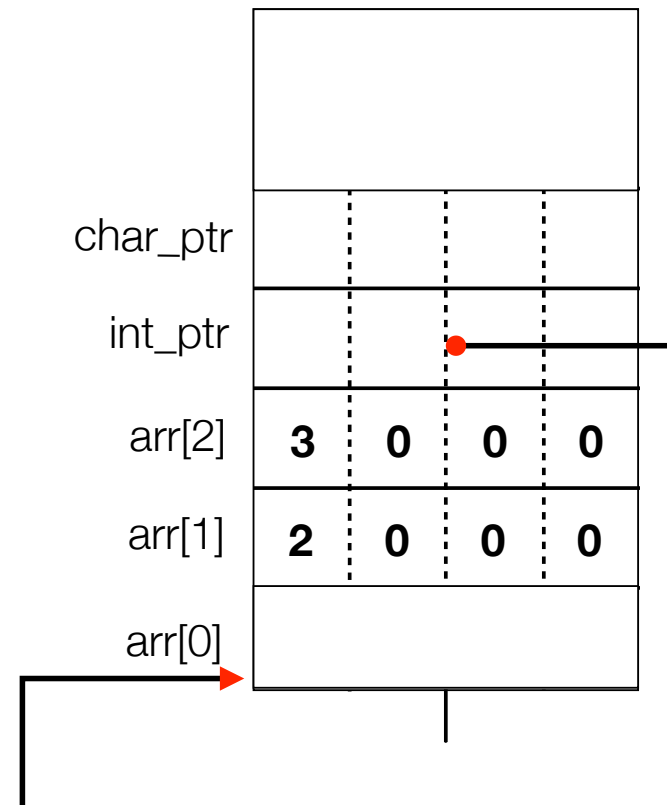
    printf("char_ptr: %p; *char_ptr: %d\n",
           char_ptr, *char_ptr);
    char_ptr += 1;
    printf("char_ptr: %p; *char_ptr: %d\n",
           char_ptr, *char_ptr);
    char_ptr += 2;
    printf("char_ptr: %p; *char_ptr: %d\n",
           char_ptr, *char_ptr);

    return 0;
}

```

pointerarithmetic.c

stack
(assume 32-bit x86)



```

#include <stdio.h>

int main(int argc, char **argv) {
    int arr[3] = {1, 2, 3};
    int *int_ptr = &arr[0];
    char *char_ptr = (char *) int_ptr;

    printf("int_ptr: %p; *int_ptr: %d\n",
           int_ptr, *int_ptr);
    int_ptr += 1;
    printf("int_ptr: %p; *int_ptr: %d\n",
           int_ptr, *int_ptr);
    int_ptr += 2; // uh oh
    print("int_ptr: %p; *int_ptr: %d\n",
          int_ptr, *int_ptr);

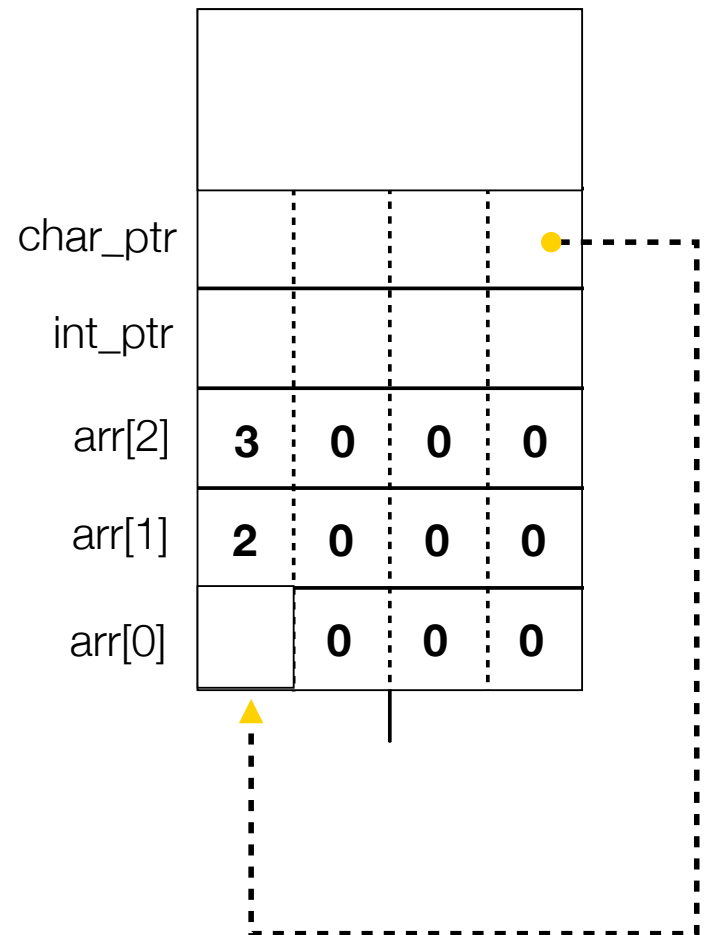
    printf("char_ptr: %p; *char_ptr: %d\n",
           char_ptr, *char_ptr);
    char_ptr += 1;
    printf("char_ptr: %p; *char_ptr: %d\n",
           char_ptr, *char_ptr);
    char_ptr += 2;
    printf("char_ptr: %p; *char_ptr: %d\n",
           char_ptr, *char_ptr);

    return 0;
}

```

pointerarithmetic.c

stack
(assume 32-bit x86)



```

#include <stdio.h>

int main(int argc, char **argv) {
    int arr[3] = {1, 2, 3};
    int *int_ptr = &arr[0];
    char *char_ptr = (char *) int_ptr;

    printf("int_ptr: %p; *int_ptr: %d\n",
           int_ptr, *int_ptr);
    int_ptr += 1;
    printf("int_ptr: %p; *int_ptr: %d\n",
           int_ptr, *int_ptr);
    int_ptr += 2; // uh oh
    printf("int_ptr: %p; *int_ptr: %d\n",
           int_ptr, *int_ptr);

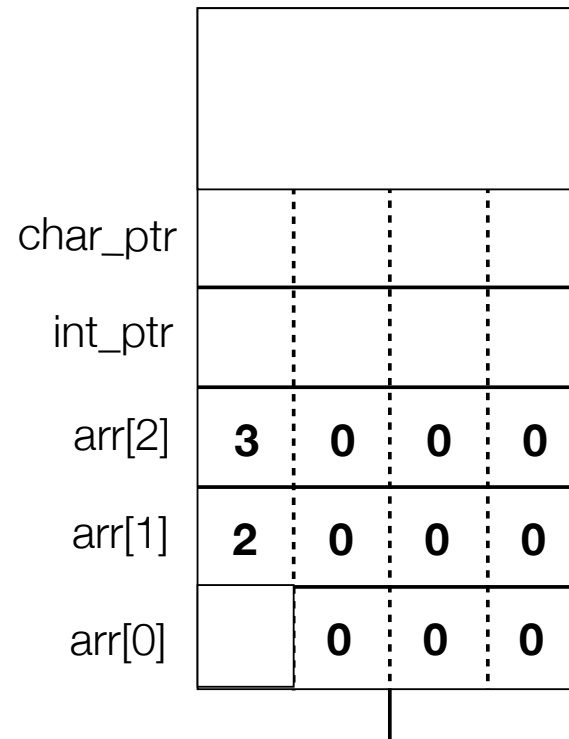
    printf("char_ptr: %p; *char_ptr: %d\n",
           char_ptr, *char_ptr);
    char_ptr += 1;
    printf("char_ptr: %p; *char_ptr: %d\n",
           char_ptr, *char_ptr);
    char_ptr += 2;
    printf("char_ptr: %p; *char_ptr: %d\n",
           char_ptr, *char_ptr);

    return 0;
}

```

pointerarithmetic.c

stack
(assume 32-bit x86)



int_ptr: 0xbffff2ac; *int_ptr: 1

```

#include <stdio.h>

int main(int argc, char **argv) {
    int arr[3] = {1, 2, 3};
    int *int_ptr = &arr[0];
    char *char_ptr = (char *) int_ptr;

    printf("int_ptr: %p; *int_ptr: %d\n",
           int_ptr, *int_ptr);
    int_ptr += 1;
    printf("int_ptr: %p; *int_ptr: %d\n",
           int_ptr, *int_ptr);
    int_ptr += 2; // uh oh
    print("int_ptr: %p; *int_ptr: %d\n",
          int_ptr, *int_ptr);

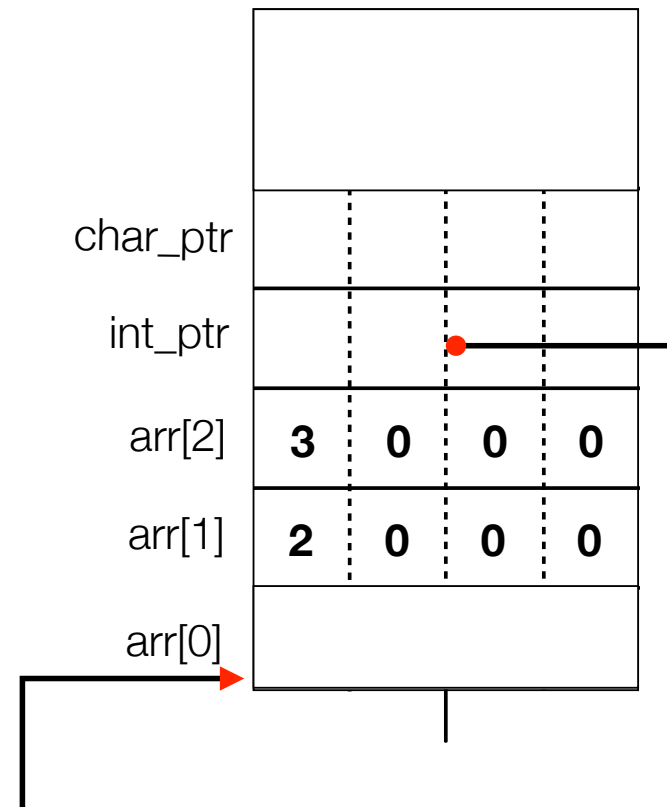
    printf("char_ptr: %p; *char_ptr: %d\n",
           char_ptr, *char_ptr);
    char_ptr += 1;
    printf("char_ptr: %p; *char_ptr: %d\n",
           char_ptr, *char_ptr);
    char_ptr += 2;
    printf("char_ptr: %p; *char_ptr: %d\n",
           char_ptr, *char_ptr);

    return 0;
}

```

pointerarithmetic.c

stack
(assume 32-bit x86)



int_ptr: 0xbffff2ac; *int_ptr: 1

```

#include <stdio.h>

int main(int argc, char **argv) {
    int arr[3] = {1, 2, 3};
    int *int_ptr = &arr[0];
    char *char_ptr = (char *) int_ptr;

    printf("int_ptr: %p; *int_ptr: %d\n",
           int_ptr, *int_ptr);
    int_ptr += 1;
    printf("int_ptr: %p; *int_ptr: %d\n",
           int_ptr, *int_ptr);
    int_ptr += 2; // uh oh
    print("int_ptr: %p; *int_ptr: %d\n",
          int_ptr, *int_ptr);

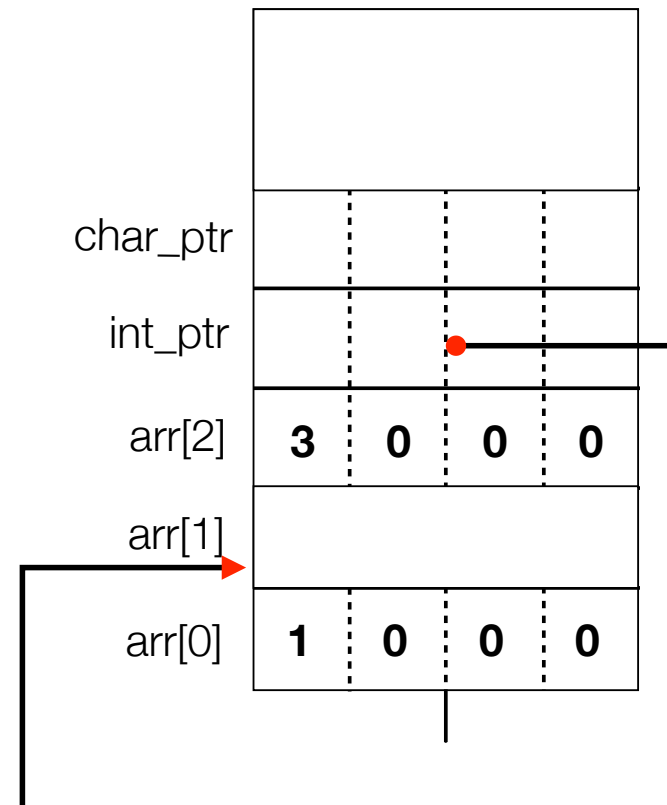
    printf("char_ptr: %p; *char_ptr: %d\n",
           char_ptr, *char_ptr);
    char_ptr += 1;
    printf("char_ptr: %p; *char_ptr: %d\n",
           char_ptr, *char_ptr);
    char_ptr += 2;
    printf("char_ptr: %p; *char_ptr: %d\n",
           char_ptr, *char_ptr);

    return 0;
}

```

pointerarithmetic.c

stack
(assume 32-bit x86)



int_ptr: 0xbffff2ac; *int_ptr: 1


```

#include <stdio.h>

int main(int argc, char **argv) {
    int arr[3] = {1, 2, 3};
    int *int_ptr = &arr[0];
    char *char_ptr = (char *) int_ptr;

    printf("int_ptr: %p; *int_ptr: %d\n",
           int_ptr, *int_ptr);
    int_ptr += 1;
    printf("int_ptr: %p; *int_ptr: %d\n",
           int_ptr, *int_ptr);
    int_ptr += 2; // uh oh
    print("int_ptr: %p; *int_ptr: %d\n",
          int_ptr, *int_ptr);

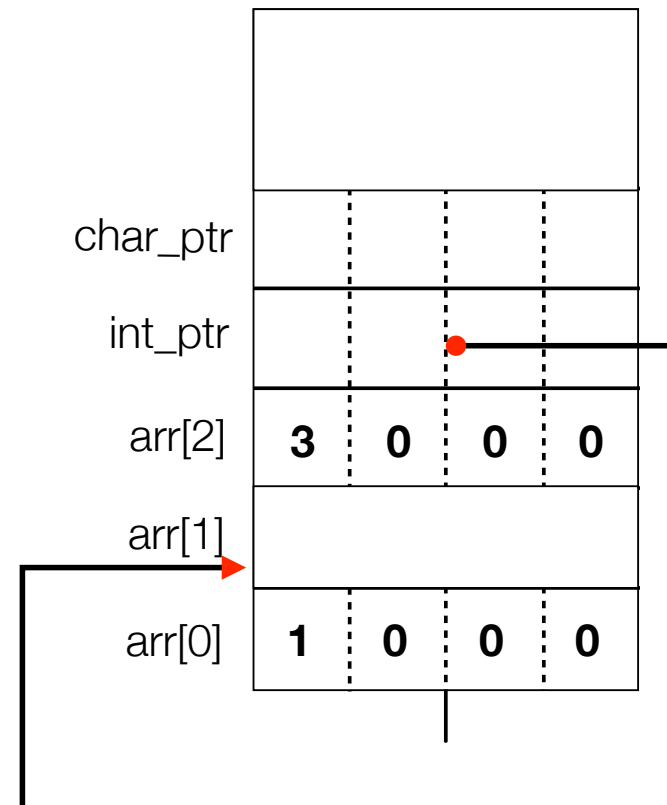
    printf("char_ptr: %p; *char_ptr: %d\n",
           char_ptr, *char_ptr);
    char_ptr += 1;
    printf("char_ptr: %p; *char_ptr: %d\n",
           char_ptr, *char_ptr);
    char_ptr += 2;
    printf("char_ptr: %p; *char_ptr: %d\n",
           char_ptr, *char_ptr);

    return 0;
}

```

pointerarithmetic.c

stack
(assume 32-bit x86)



```

int_ptr: 0xbffff2ac; *int_ptr: 1
int_ptr: 0xbffff2b0; *int_ptr: 2

```

```

#include <stdio.h>

int main(int argc, char **argv) {
    int arr[3] = {1, 2, 3};
    int *int_ptr = &arr[0];
    char *char_ptr = (char *) int_ptr;

    printf("int_ptr: %p; *int_ptr: %d\n",
           int_ptr, *int_ptr);
    int_ptr += 1;
    printf("int_ptr: %p; *int_ptr: %d\n",
           int_ptr, *int_ptr);
    int_ptr += 2; // uh oh
    print("int_ptr: %p; *int_ptr: %d\n",
          int_ptr, *int_ptr);

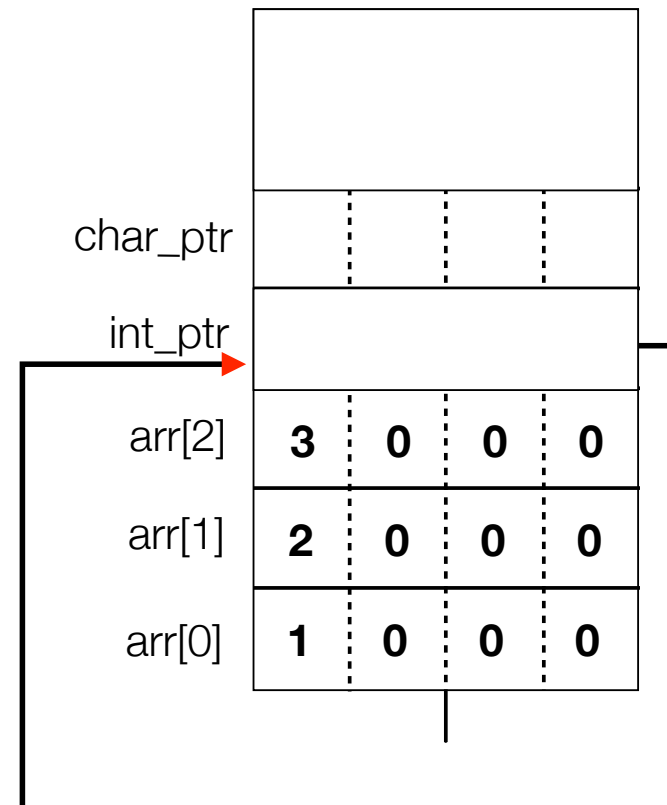
    printf("char_ptr: %p; *char_ptr: %d\n",
           char_ptr, *char_ptr);
    char_ptr += 1;
    printf("char_ptr: %p; *char_ptr: %d\n",
           char_ptr, *char_ptr);
    char_ptr += 2;
    printf("char_ptr: %p; *char_ptr: %d\n",
           char_ptr, *char_ptr);

    return 0;
}

```

pointerarithmetic.c

stack
(assume 32-bit x86)



```

int_ptr: 0xbffff2ac; *int_ptr: 1
int_ptr: 0xbffff2b0; *int_ptr: 2

```

```

#include <stdio.h>

int main(int argc, char **argv) {
    int arr[3] = {1, 2, 3};
    int *int_ptr = &arr[0];
    char *char_ptr = (char *) int_ptr;

    printf("int_ptr: %p; *int_ptr: %d\n",
           int_ptr, *int_ptr);
    int_ptr += 1;
    printf("int_ptr: %p; *int_ptr: %d\n",
           int_ptr, *int_ptr);
    int_ptr += 2; // uh oh
    print("int_ptr: %p; *int_ptr: %d\n",
          int_ptr, *int_ptr);

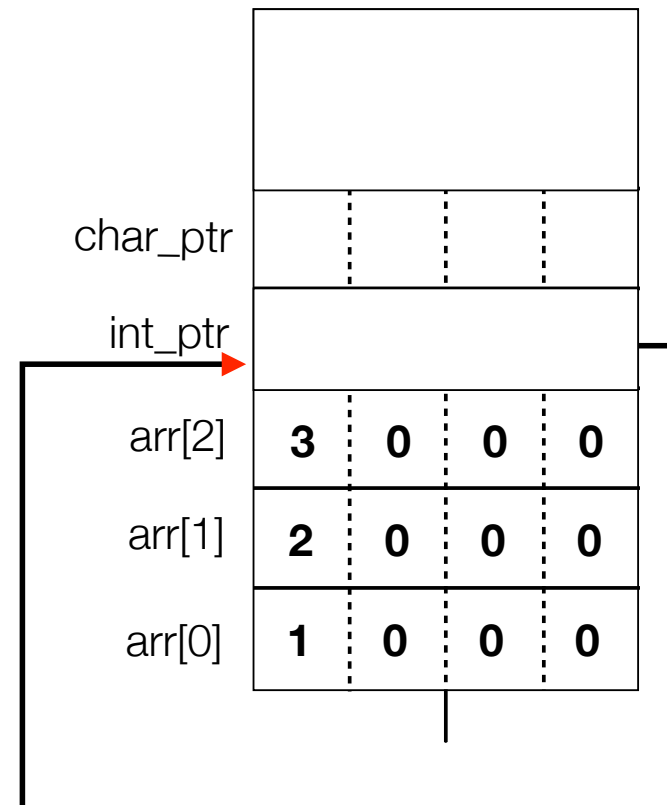
    printf("char_ptr: %p; *char_ptr: %d\n",
           char_ptr, *char_ptr);
    char_ptr += 1;
    printf("char_ptr: %p; *char_ptr: %d\n",
           char_ptr, *char_ptr);
    char_ptr += 2;
    printf("char_ptr: %p; *char_ptr: %d\n",
           char_ptr, *char_ptr);

    return 0;
}

```

pointerarithmetic.c

stack
(assume 32-bit x86)



```

int_ptr: 0xbffff2ac; *int_ptr: 1
int_ptr: 0xbffff2b0; *int_ptr: 2
int_ptr: 0xbffff2b8; *int_ptr:
-1073745224

```

```

#include <stdio.h>

int main(int argc, char **argv) {
    int arr[3] = {1, 2, 3};
    int *int_ptr = &arr[0];
    char *char_ptr = (char *) int_ptr;

    printf("int_ptr: %p; *int_ptr: %d\n",
           int_ptr, *int_ptr);
    int_ptr += 1;
    printf("int_ptr: %p; *int_ptr: %d\n",
           int_ptr, *int_ptr);
    int_ptr += 2; // uh oh
    print("int_ptr: %p; *int_ptr: %d\n",
          int_ptr, *int_ptr);

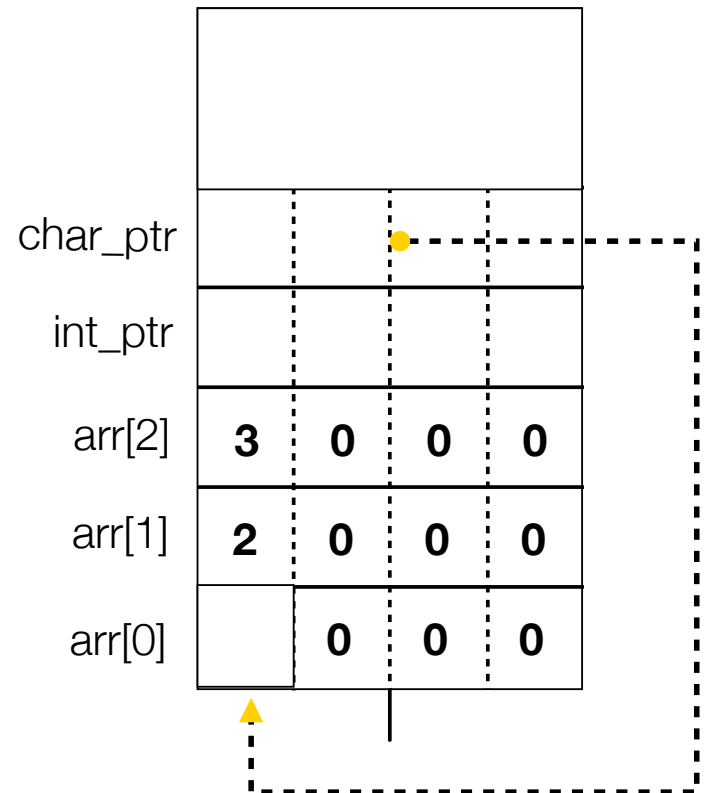
    printf("char_ptr: %p; *char_ptr: %d\n",
           char_ptr, *char_ptr);
    char_ptr += 1;
    printf("char_ptr: %p; *char_ptr: %d\n",
           char_ptr, *char_ptr);
    char_ptr += 2;
    printf("char_ptr: %p; *char_ptr: %d\n",
           char_ptr, *char_ptr);

    return 0;
}

```

pointerarithmetic.c

stack
(assume 32-bit x86)



char_ptr: 0xbffff2ac; *char_ptr: 1

```

#include <stdio.h>

int main(int argc, char **argv) {
    int arr[3] = {1, 2, 3};
    int *int_ptr = &arr[0];
    char *char_ptr = (char *) int_ptr;

    printf("int_ptr: %p; *int_ptr: %d\n",
           int_ptr, *int_ptr);
    int_ptr += 1;
    printf("int_ptr: %p; *int_ptr: %d\n",
           int_ptr, *int_ptr);
    int_ptr += 2; // uh oh
    printf("int_ptr: %p; *int_ptr: %d\n",
           int_ptr, *int_ptr);

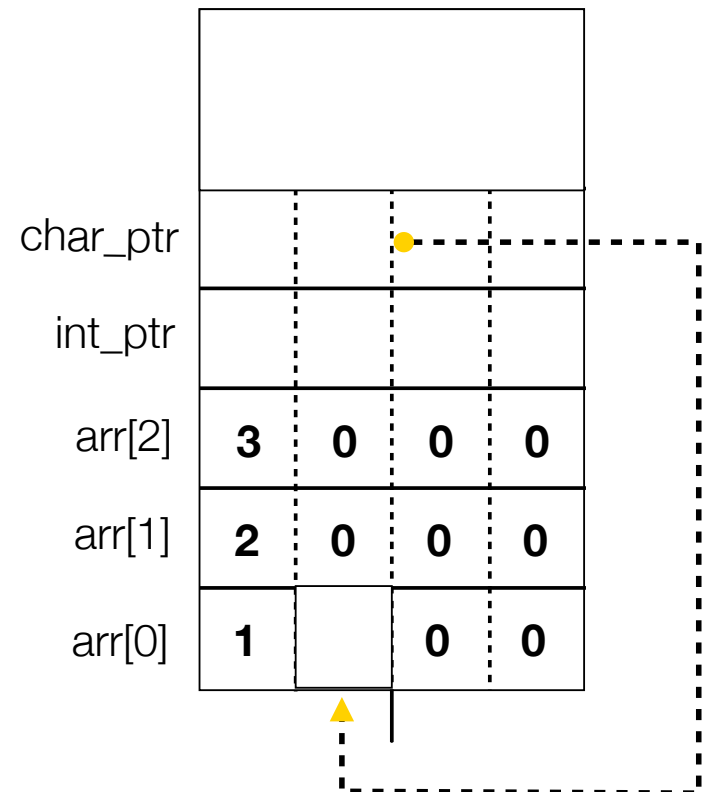
    printf("char_ptr: %p; *char_ptr: %d\n",
           char_ptr, *char_ptr);
    char_ptr += 1;
    printf("char_ptr: %p; *char_ptr: %d\n",
           char_ptr, *char_ptr);
    char_ptr += 2;
    printf("char_ptr: %p; *char_ptr: %d\n",
           char_ptr, *char_ptr);

    return 0;
}

```

pointerarithmetic.c

stack
(assume 32-bit x86)



char_ptr: 0xbffff2ac; *char_ptr: 1

```

#include <stdio.h>

int main(int argc, char **argv) {
    int arr[3] = {1, 2, 3};
    int *int_ptr = &arr[0];
    char *char_ptr = (char *) int_ptr;

    printf("int_ptr: %p; *int_ptr: %d\n",
           int_ptr, *int_ptr);
    int_ptr += 1;
    printf("int_ptr: %p; *int_ptr: %d\n",
           int_ptr, *int_ptr);
    int_ptr += 2; // uh oh
    print("int_ptr: %p; *int_ptr: %d\n",
          int_ptr, *int_ptr);

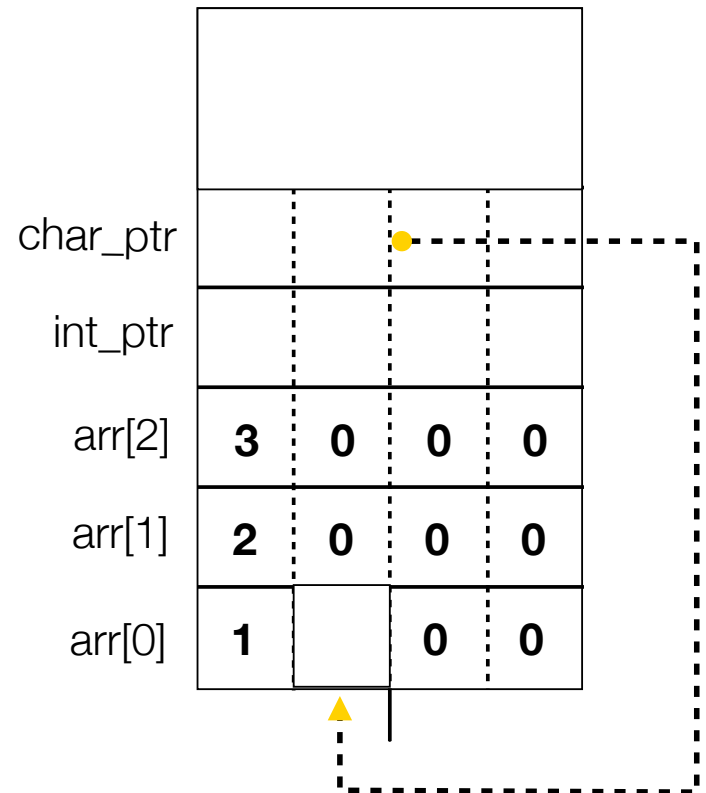
    printf("char_ptr: %p; *char_ptr: %d\n",
           char_ptr, *char_ptr);
    char_ptr += 1;
    printf("char_ptr: %p; *char_ptr: %d\n",
           char_ptr, *char_ptr);
    char_ptr += 2;
    printf("char_ptr: %p; *char_ptr: %d\n",
           char_ptr, *char_ptr);

    return 0;
}

```

pointerarithmetic.c

stack
(assume 32-bit x86)



```

char_ptr: 0xbffff2ac; *char_ptr: 1
char_ptr: 0xbffff2ad; *char_ptr: 0

```

```

#include <stdio.h>

int main(int argc, char **argv) {
    int arr[3] = {1, 2, 3};
    int *int_ptr = &arr[0];
    char *char_ptr = (char *) int_ptr;

    printf("int_ptr: %p; *int_ptr: %d\n",
           int_ptr, *int_ptr);
    int_ptr += 1;
    printf("int_ptr: %p; *int_ptr: %d\n",
           int_ptr, *int_ptr);
    int_ptr += 2; // uh oh
    print("int_ptr: %p; *int_ptr: %d\n",
          int_ptr, *int_ptr);

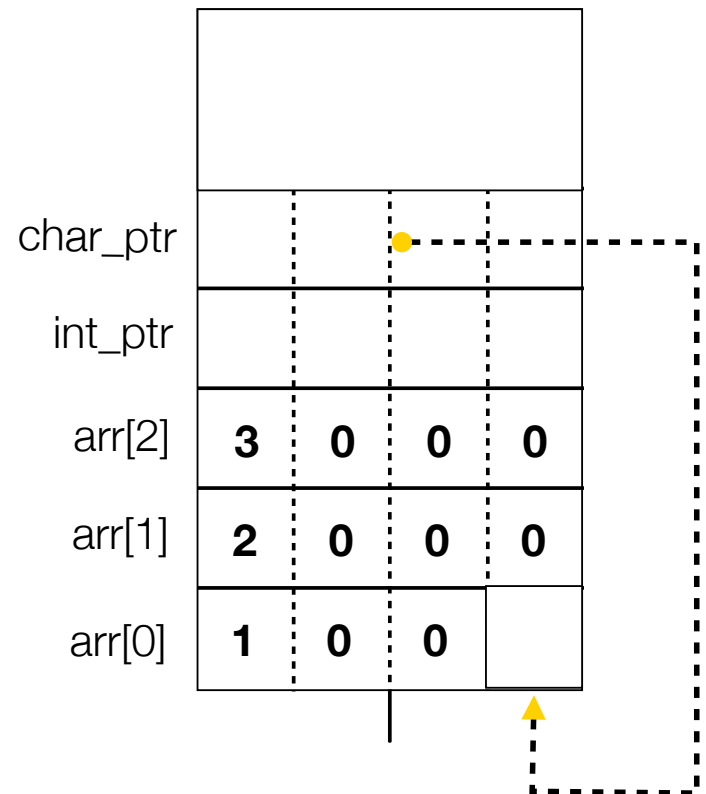
    printf("char_ptr: %p; *char_ptr: %d\n",
           char_ptr, *char_ptr);
    char_ptr += 1;
    printf("char_ptr: %p; *char_ptr: %d\n",
           char_ptr, *char_ptr);
    char_ptr += 2;
    printf("char_ptr: %p; *char_ptr: %d\n",
           char_ptr, *char_ptr);

    return 0;
}

```

pointerarithmetic.c

stack
(assume 32-bit x86)



```

char_ptr: 0xbffff2ac; *char_ptr: 1
char_ptr: 0xbffff2ad; *char_ptr: 0

```

```

#include <stdio.h>

int main(int argc, char **argv) {
    int arr[3] = {1, 2, 3};
    int *int_ptr = &arr[0];
    char *char_ptr = (char *) int_ptr;

    printf("int_ptr: %p; *int_ptr: %d\n",
           int_ptr, *int_ptr);
    int_ptr += 1;
    printf("int_ptr: %p; *int_ptr: %d\n",
           int_ptr, *int_ptr);
    int_ptr += 2; // uh oh
    print("int_ptr: %p; *int_ptr: %d\n",
          int_ptr, *int_ptr);

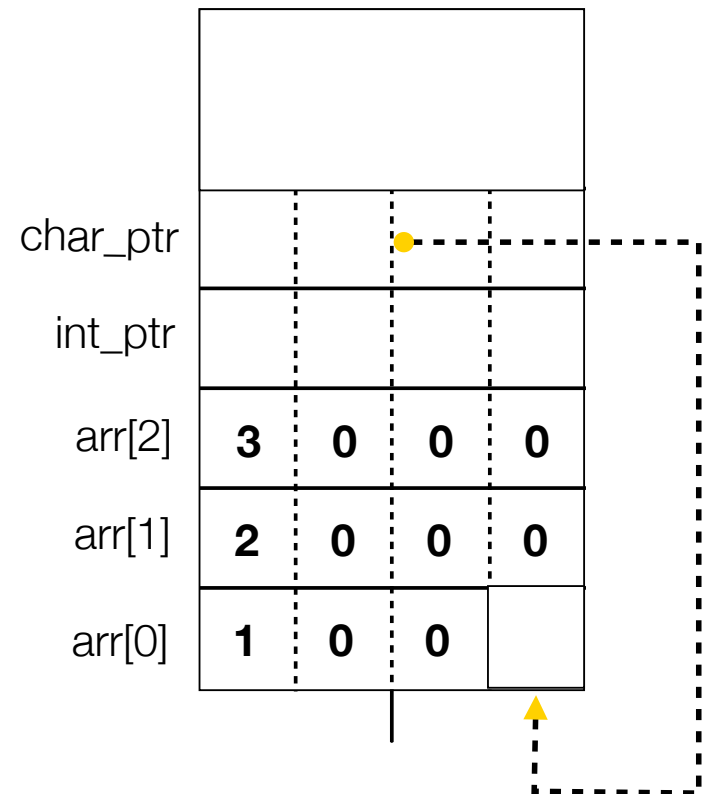
    printf("char_ptr: %p; *char_ptr: %d\n",
           char_ptr, *char_ptr);
    char_ptr += 1;
    printf("char_ptr: %p; *char_ptr: %d\n",
           char_ptr, *char_ptr);
    char_ptr += 2;
    printf("char_ptr: %p; *char_ptr: %d\n",
           char_ptr, *char_ptr);

    return 0;
}

```

pointerarithmetic.c

stack
(assume 32-bit x86)



```

char_ptr: 0xbffff2ac; *char_ptr: 1
char_ptr: 0xbffff2ad; *char_ptr: 0
char_ptr: 0xbffff2af; *char_ptr: 0

```


Pass-by-value

C passes arguments by **value**

- callee receives a **copy** of the argument
- if the callee modifies an argument, caller's copy isn't modified

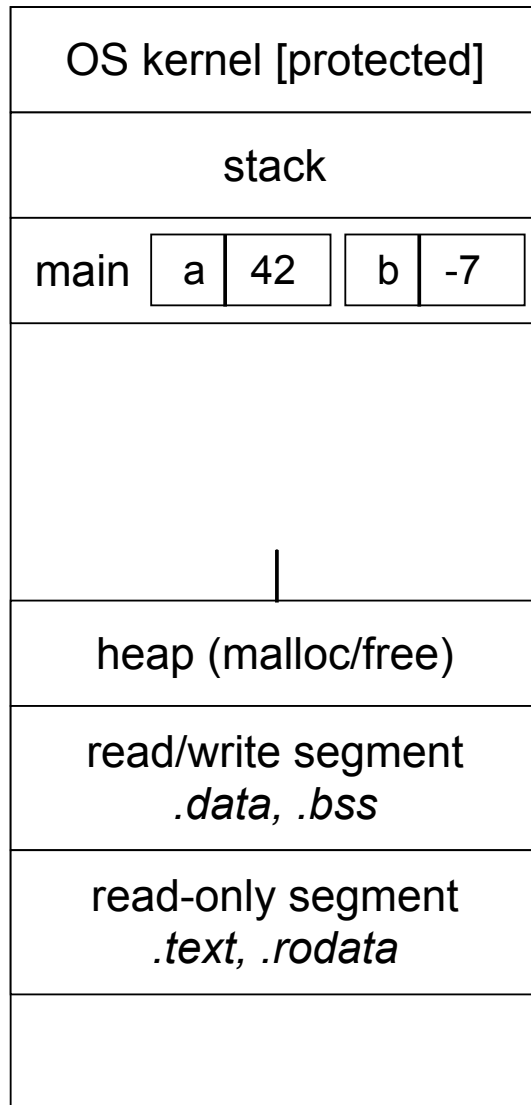
```
void swap(int a, int b) {
    int tmp = a;
    a = b;
    b = tmp;
}

int main(int argc, char **argv) {
    int a = 42, b = -7;

    swap(a, b);
    printf("a: %d, b: %d\n", a, b);
    return 0;
}
```

brokenswap.c

Pass-by-value (stack)

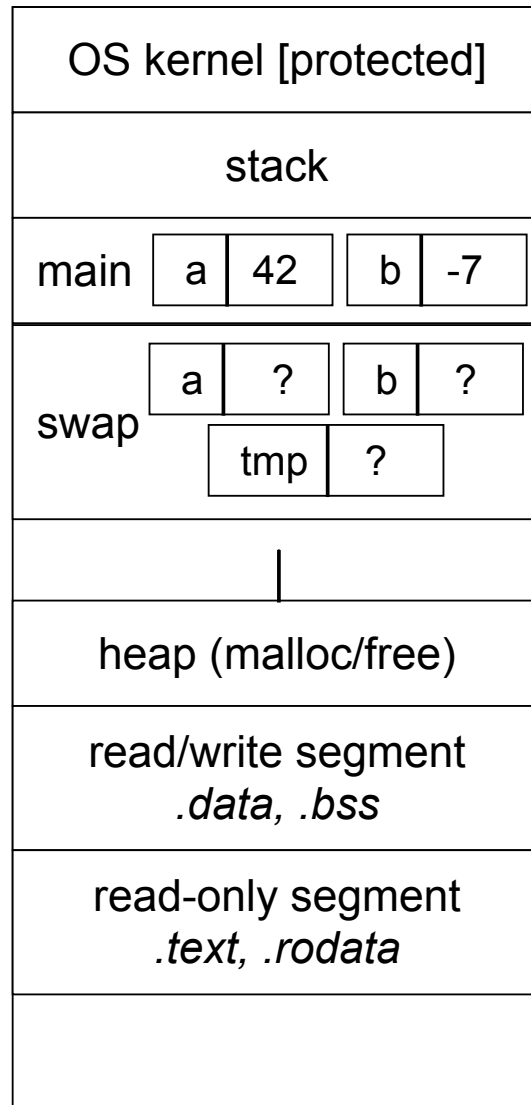


```
void swap(int a, int b) {  
    int tmp = a;  
    a = b;  
    b = tmp;  
}  
  
int main(int argc, char **argv) {  
    int a = 42, b = -7;  
  
    swap(a, b);  
    printf("a: %d, b: %d\n", a, b);  
    return 0;  
}
```



brokenswap.c

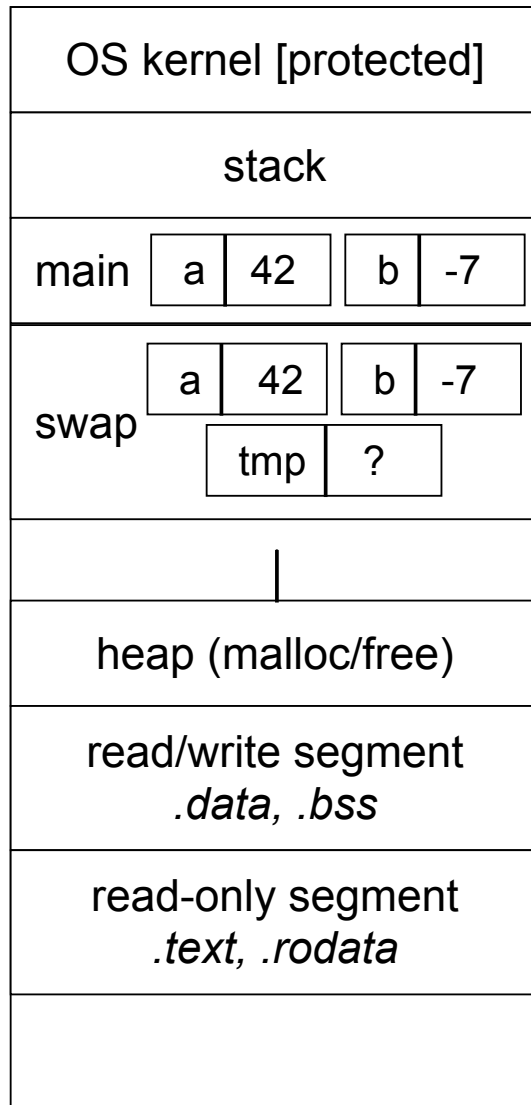
Pass-by-value (stack)



```
void swap(int a, int b) {  
    int tmp = a;  
    a = b;  
    b = tmp;  
}  
  
int main(int argc, char **argv) {  
    int a = 42, b = -7;  
  
    swap(a, b);  
    printf("a: %d, b: %d\n", a, b);  
    return 0;  
}
```

brokenswap.c

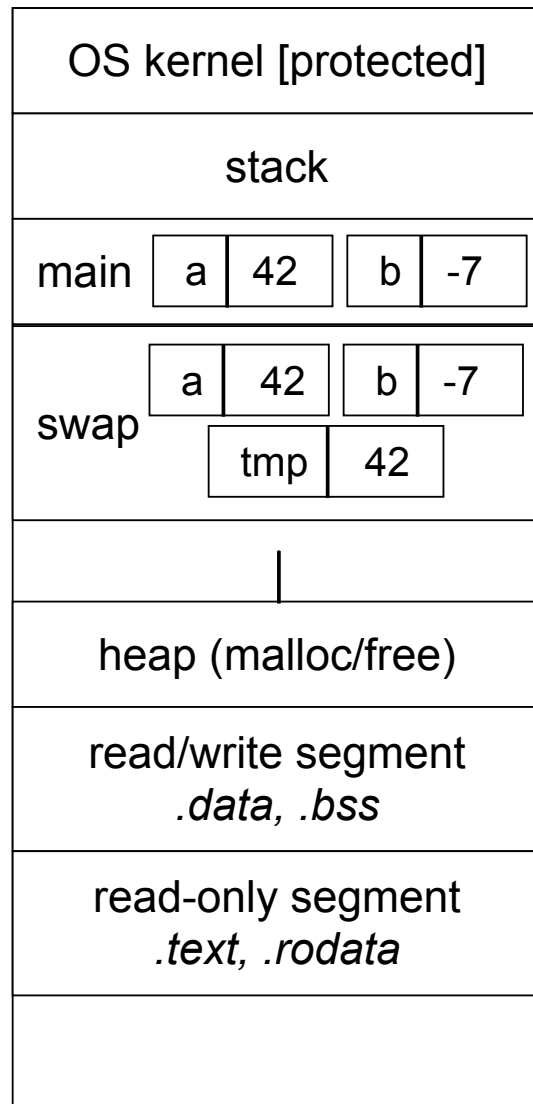
Pass-by-value (stack)



```
void swap(int a, int b) {  
    int tmp = a;  
    a = b;  
    b = tmp;  
}  
  
int main(int argc, char **argv) {  
    int a = 42, b = -7;  
  
    swap(a, b);  
    printf("a: %d, b: %d\n", a, b);  
    return 0;  
}
```

brokenswap.c

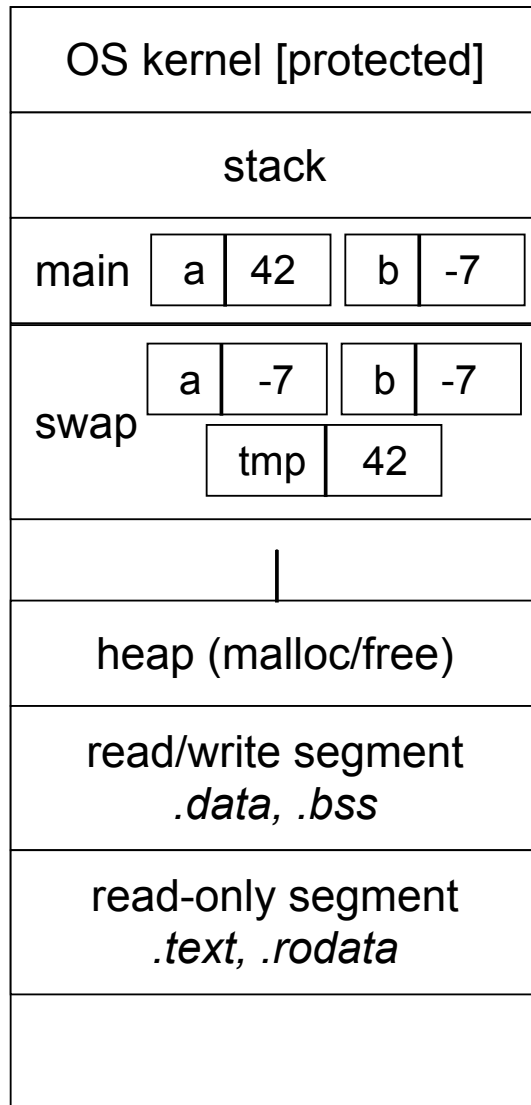
Pass-by-value (stack)



```
void swap(int a, int b) {  
    int tmp = a;  
    a = b;  
    b = tmp;  
}  
  
int main(int argc, char **argv) {  
    int a = 42, b = -7;  
  
    swap(a, b);  
    printf("a: %d, b: %d\n", a, b);  
    return 0;  
}
```

brokenswap.c

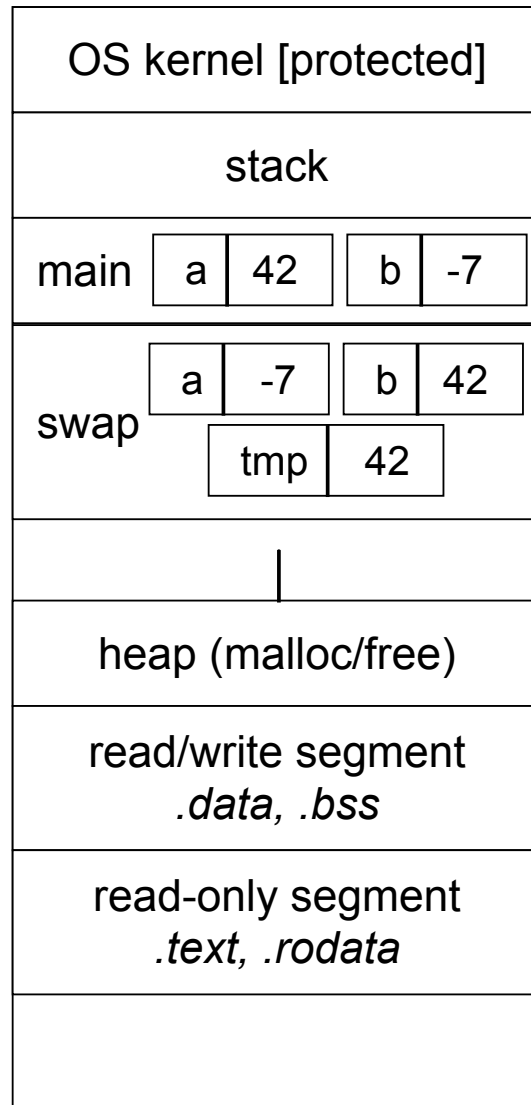
Pass-by-value (stack)



```
void swap(int a, int b) {  
    int tmp = a;  
    a = b;  
    b = tmp;  
}  
  
int main(int argc, char **argv) {  
    int a = 42, b = -7;  
  
    swap(a, b);  
    printf("a: %d, b: %d\n", a, b);  
    return 0;  
}
```

brokenswap.c

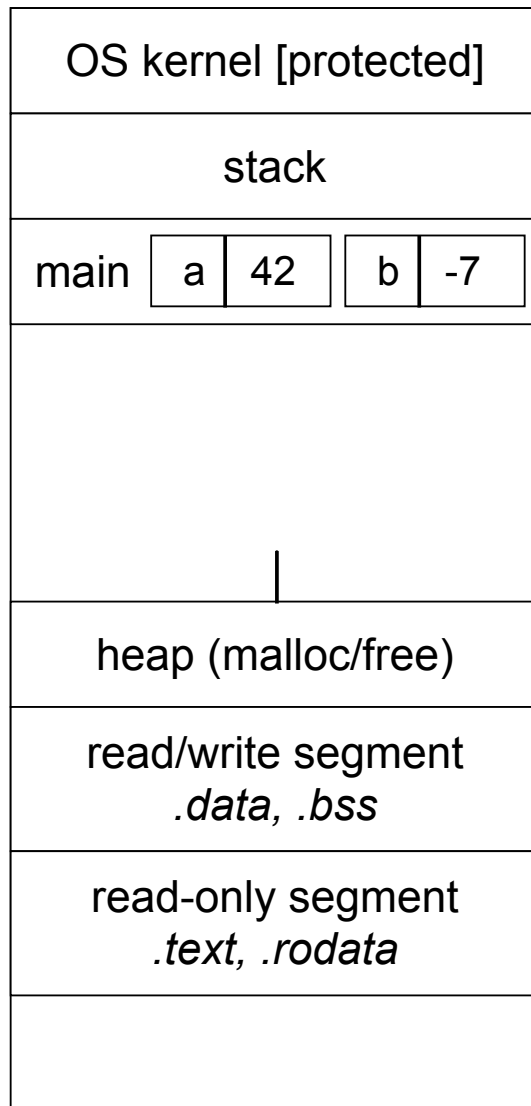
Pass-by-value (stack)



```
void swap(int a, int b) {  
    int tmp = a;  
    a = b;  
    b = tmp;  
}  
  
int main(int argc, char **argv) {  
    int a = 42, b = -7;  
  
    swap(a, b);  
    printf("a: %d, b: %d\n", a, b);  
    return 0;  
}
```

brokenswap.c

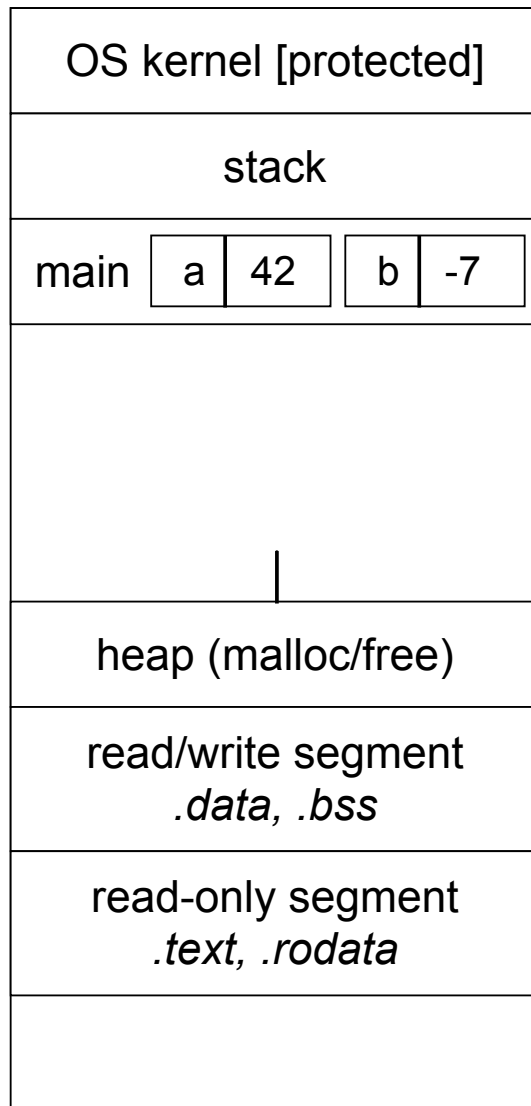
Pass-by-value (stack)



```
void swap(int a, int b) {  
    int tmp = a;  
    a = b;  
    b = tmp;  
}  
  
int main(int argc, char **argv) {  
    int a = 42, b = -7;  
  
    swap(a, b);  
    printf("a: %d, b: %d\n", a, b);  
    return 0;  
}
```

brokenswap.c

Pass-by-value (stack)



```
void swap(int a, int b) {  
    int tmp = a;  
    a = b;  
    b = tmp;  
}  
  
int main(int argc, char **argv) {  
    int a = 42, b = -7;  
  
    swap(a, b);  
    printf("a: %d, b: %d\n", a, b);  
    return 0;  
}
```



brokenswap.c

Pass-by-reference

You can use pointers to pass by **reference**

- callee still receives a **copy** of the argument
 - ▶ but, the argument is a pointer
 - ▶ the pointer's value points-to the variable in the scope of the caller
- this gives the callee a way to modify a variable that's in the scope of the caller

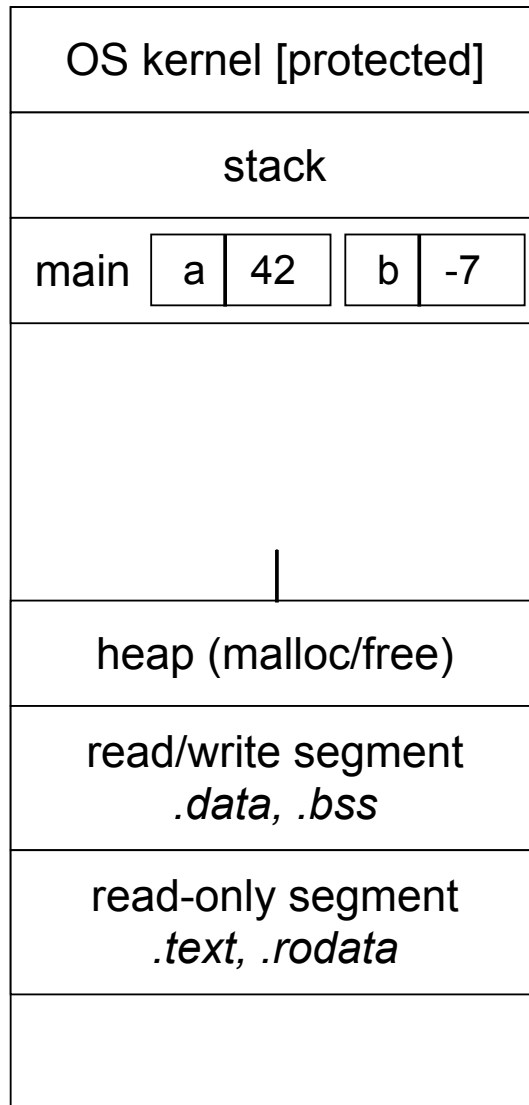
```
void swap(int *a, int *b) {
    int tmp = *a;
    *a = *b;
    *b = tmp;
}

int main(int argc, char **argv) {
    int a = 42, b = -7;

    swap(&a, &b);
    printf("a: %d, b: %d\n", a, b);
    return 0;
}
```

swap.c

Pass-by-reference (stack)



```
void swap(int *a, int *b) {
    int tmp = *a;
    *a = *b;
    *b = tmp;
}

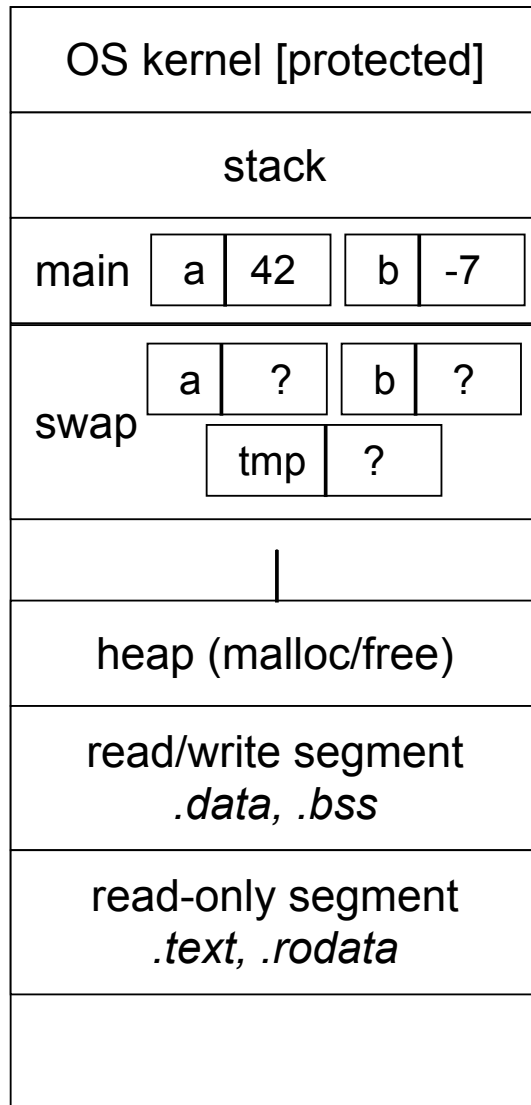
int main(int argc, char **argv) {
    int a = 42, b = -7;

    swap(&a, &b);
    printf("a: %d, b: %d\n", a, b);
    return 0;
}
```



swap.c

Pass-by-reference (stack)

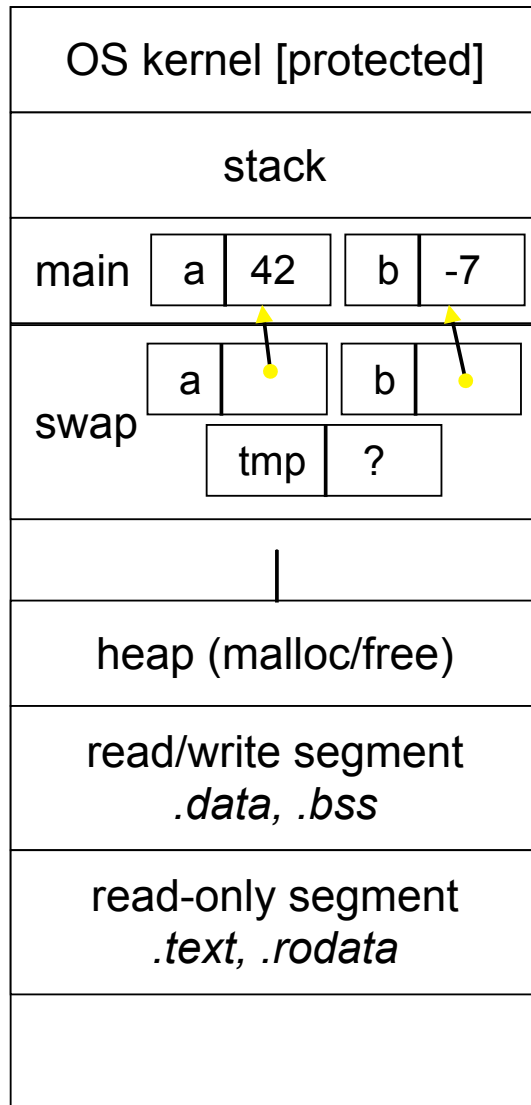


```
void swap(int *a, int *b) {  
    int tmp = *a;  
    *a = *b;  
    *b = tmp;  
}  
  
int main(int argc, char **argv) {  
    int a = 42, b = -7;  
  
    swap(&a, &b);  
    printf("a: %d, b: %d\n", a, b);  
    return 0;  
}
```



swap.c

Pass-by-reference (stack)

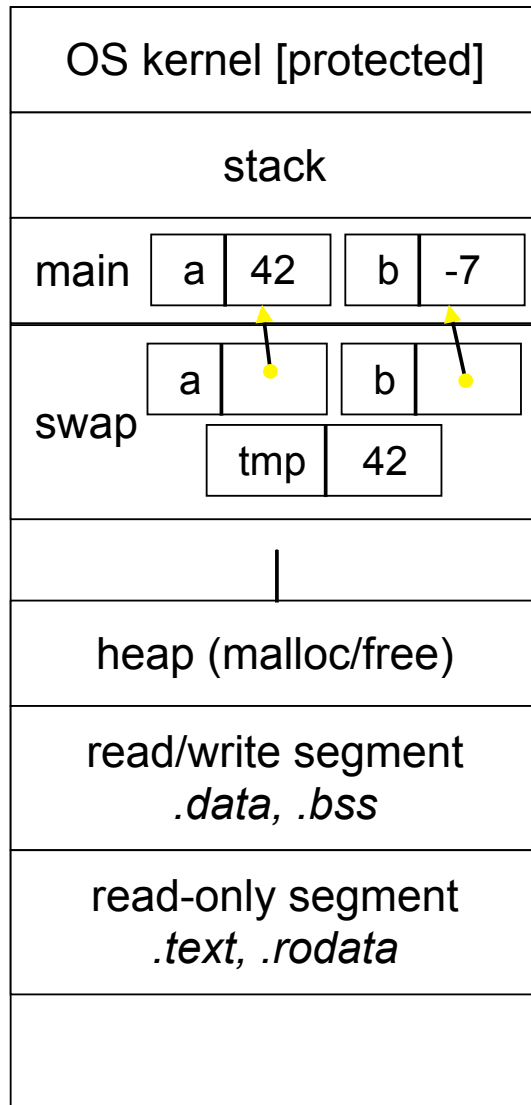


```
void swap(int *a, int *b) {  
    int tmp = *a;  
    *a = *b;  
    *b = tmp;  
}  
  
int main(int argc, char **argv) {  
    int a = 42, b = -7;  
  
    swap(&a, &b);  
    printf("a: %d, b: %d\n", a, b);  
    return 0;  
}
```



swap.c

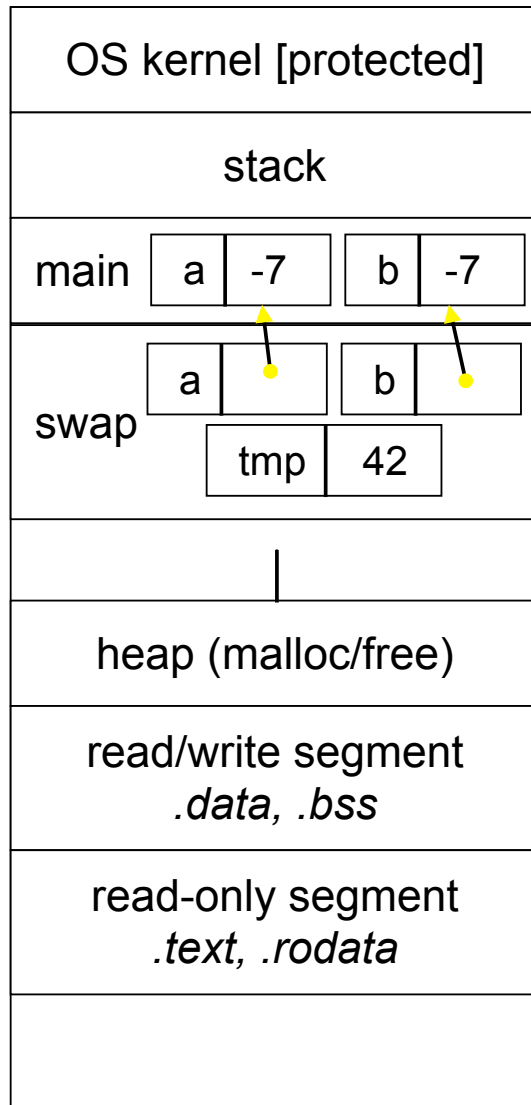
Pass-by-reference (stack)



```
void swap(int *a, int *b) {  
    int tmp = *a;  
    *a = *b;  
    *b = tmp;  
}  
  
int main(int argc, char **argv) {  
    int a = 42, b = -7;  
  
    swap(&a, &b);  
    printf("a: %d, b: %d\n", a, b);  
    return 0;  
}
```

swap.c

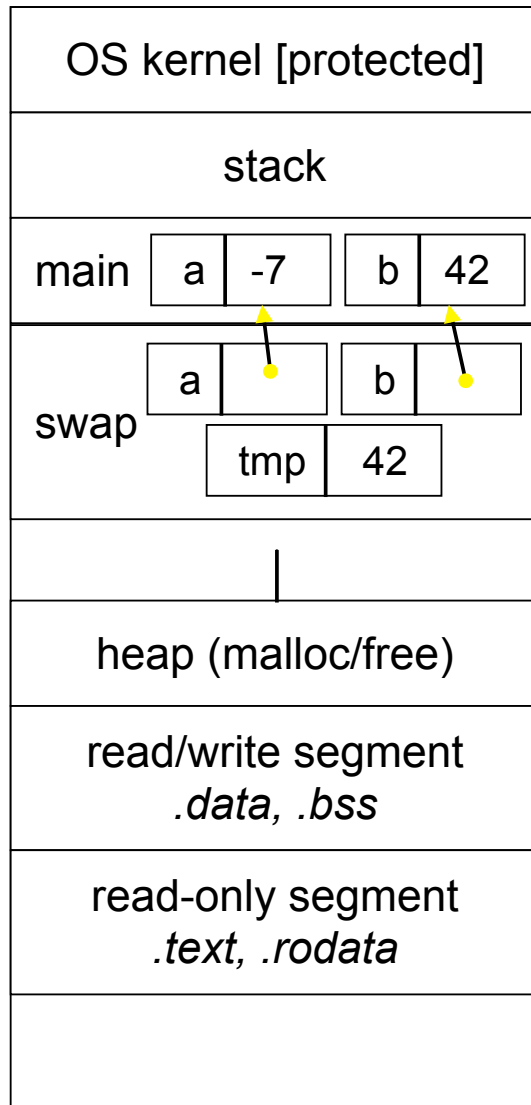
Pass-by-reference (stack)



```
void swap(int *a, int *b) {  
    int tmp = *a;  
    *a = *b;  
    *b = tmp;  
}  
  
int main(int argc, char **argv) {  
    int a = 42, b = -7;  
  
    swap(&a, &b);  
    printf("a: %d, b: %d\n", a, b);  
    return 0;  
}
```

swap.c

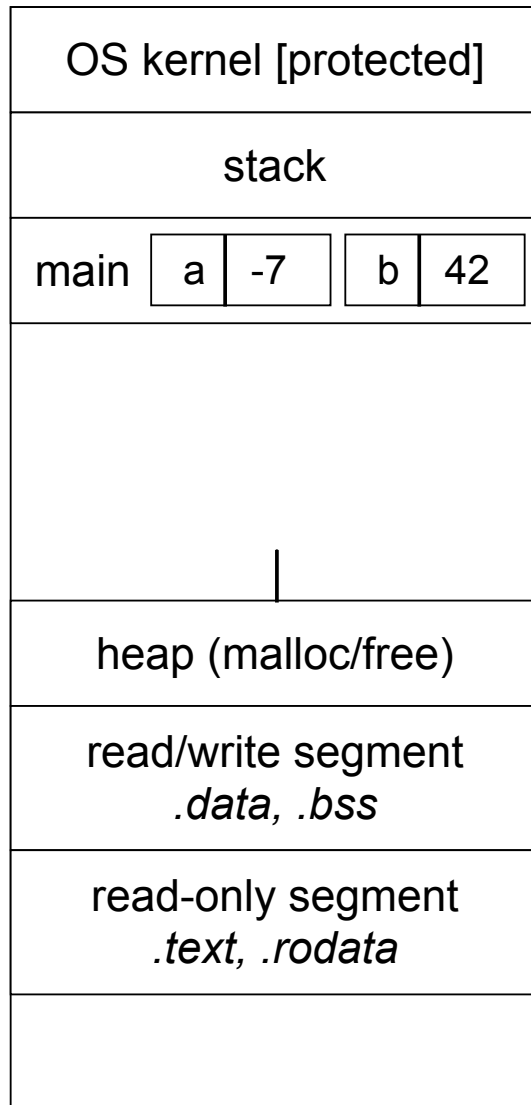
Pass-by-reference (stack)



```
void swap(int *a, int *b) {  
    int tmp = *a;  
    *a = *b;  
    *b = tmp;  
}  
  
int main(int argc, char **argv) {  
    int a = 42, b = -7;  
  
    swap(&a, &b);  
    printf("a: %d, b: %d\n", a, b);  
    return 0;  
}
```

swap.c

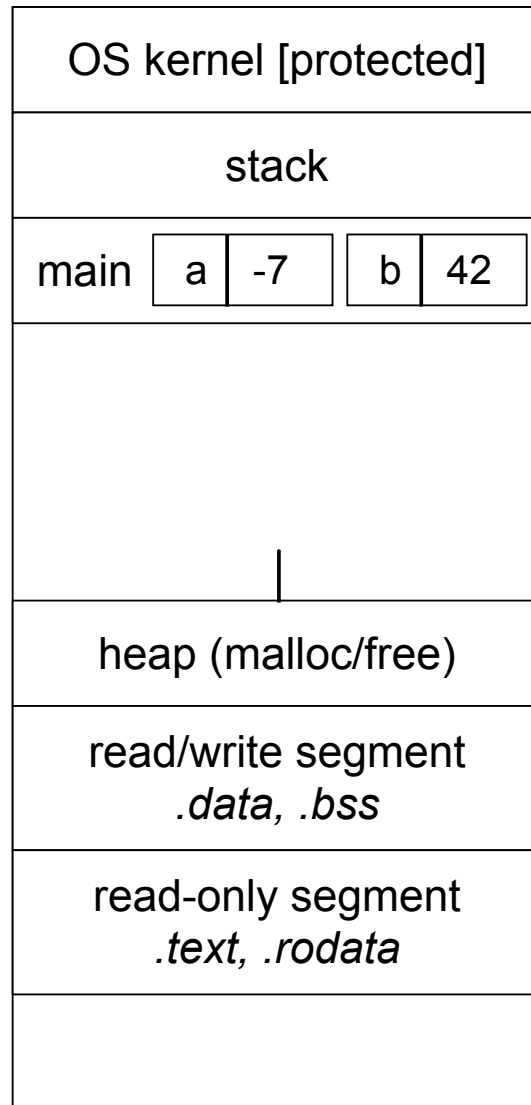
Pass-by-reference (stack)



```
void swap(int *a, int *b) {  
    int tmp = *a;  
    *a = *b;  
    *b = tmp;  
}  
  
int main(int argc, char **argv) {  
    int a = 42, b = -7;  
  
    swap(&a, &b);  
    printf("a: %d, b: %d\n", a, b);  
    return 0;  
}
```

swap.c

Pass-by-reference (stack)



```
void swap(int *a, int *b) {  
    int tmp = *a;  
    *a = *b;  
    *b = tmp;  
}  
  
int main(int argc, char **argv) {  
    int a = 42, b = -7;  
  
    swap(&a, &b);  
    printf("a: %d, b: %d\n", a, b);  
    return 0;  
}
```



swap.c

Arrays and pointers

a pointer can point to an array element

- an array's name can be used as a pointer to its first element
- and, you can use `[]` notation to treat a pointer like an array
 - `pointer[i]` is `i` elements' worth of bytes forward from pointer

```
int a[5] = {10, 20, 30, 40, 50};
int* p1 = &a[3];    // refers to a's fourth element
int* p2 = &a[0];    // refers to a's first element
int* p3 = a;       // refers to a's first element

*p1 = 100;
*p2 = 200;
p1[1] = 300;
p2[1] = 400;
p3[2] = 500;      // final: 200, 400, 500, 100, 300
```

Passing arrays as parameters

array parameters are really passed as pointers to the first array element

- the `[]` syntax for parameter types is just for convenience

```
void f(int a[]);

int main(...) {
    int a[5];
    ...
    f(a);
    return 0;
}

void f(int a[] ){
```

your code

```
void f(int *a);

int main(...) {
    int a[5];
    ...
    f(&a[0]);
    return 0;
}

void f(int *a) {
```

equivalent to

Self-Exercise 1

Use a box-and-arrow diagram for the following program to explain what it prints out:

```
#include <stdio.h>

int foo(int *bar, int **baz) {
    *bar = 5;
    *(bar+1) = 6;
    *baz = bar+2;
    return *((*baz)+1);
}

int main(int argc, char **argv) {
    int arr[4] = {1, 2, 3, 4};
    int *ptr;

    arr[0] = foo(&(arr[0]), &ptr);
    printf("%d %d %d %d %d\n",
           arr[0], arr[1], arr[2], arr[3], *ptr);
    return 0;
}
```

Self-Exercise 2

Write a program that prints out whether the computer it is running on is little endian or big endian.

- (hint: see pointerarithmetic.c from today's lecture)

Self-Exercise 3

Write a function that:

- accepts an (array of ints) and an (array length) as arguments
- malloc's an (array of (int *)) of the same length
- initializes each element of the newly allocated array to point to the corresponding element in the passed-in array
- returns a pointer to the newly allocated array

See you on Monday!