

Virtual Memory II

CSE 351 Autumn 2023

Instructor:

Justin Hsia

Teaching Assistants:

Afifah Kashif

Malak Zaki

Bhavik Soni

Naama Amiel

Cassandra Lam

Nayha Auradkar

Connie Chen

Nikolas McNamee

David Dai

Pedro Amarante

Dawit Hailu

Renee Ruan

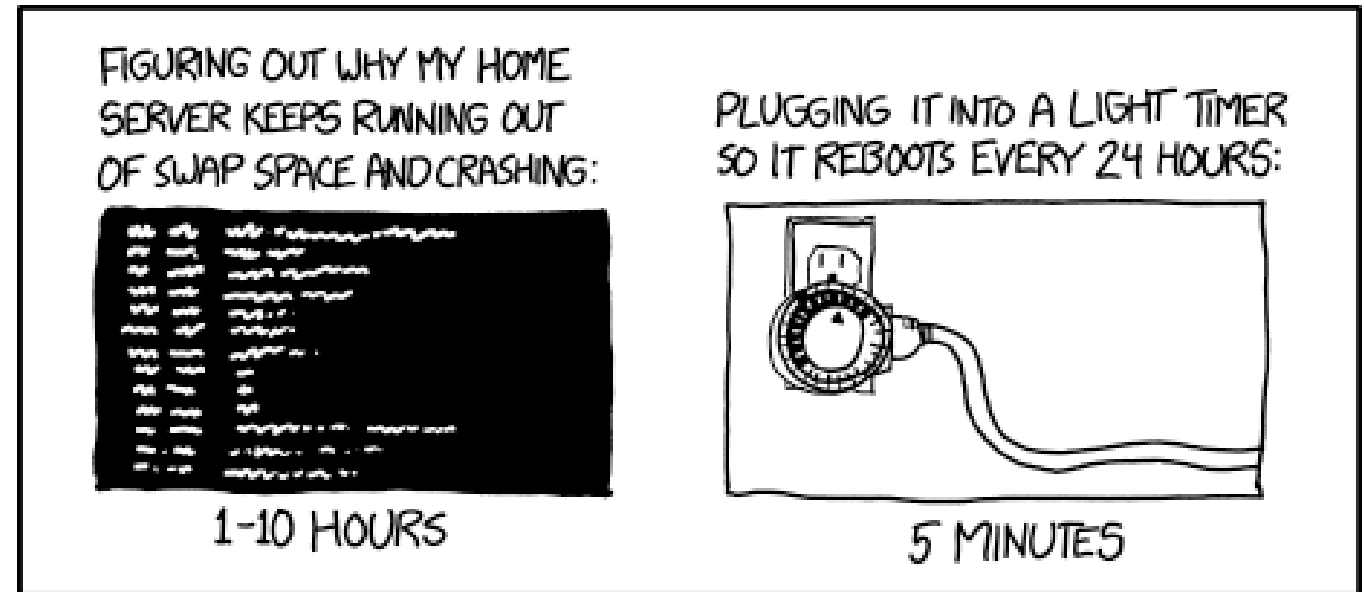
Ellis Haker

Simran Bagaria

Eyoel Gebre

Will Robertson

Joshua Tan



WHY EVERYTHING I HAVE IS BROKEN

<https://xkcd.com/1495/>

Relevant Course Information

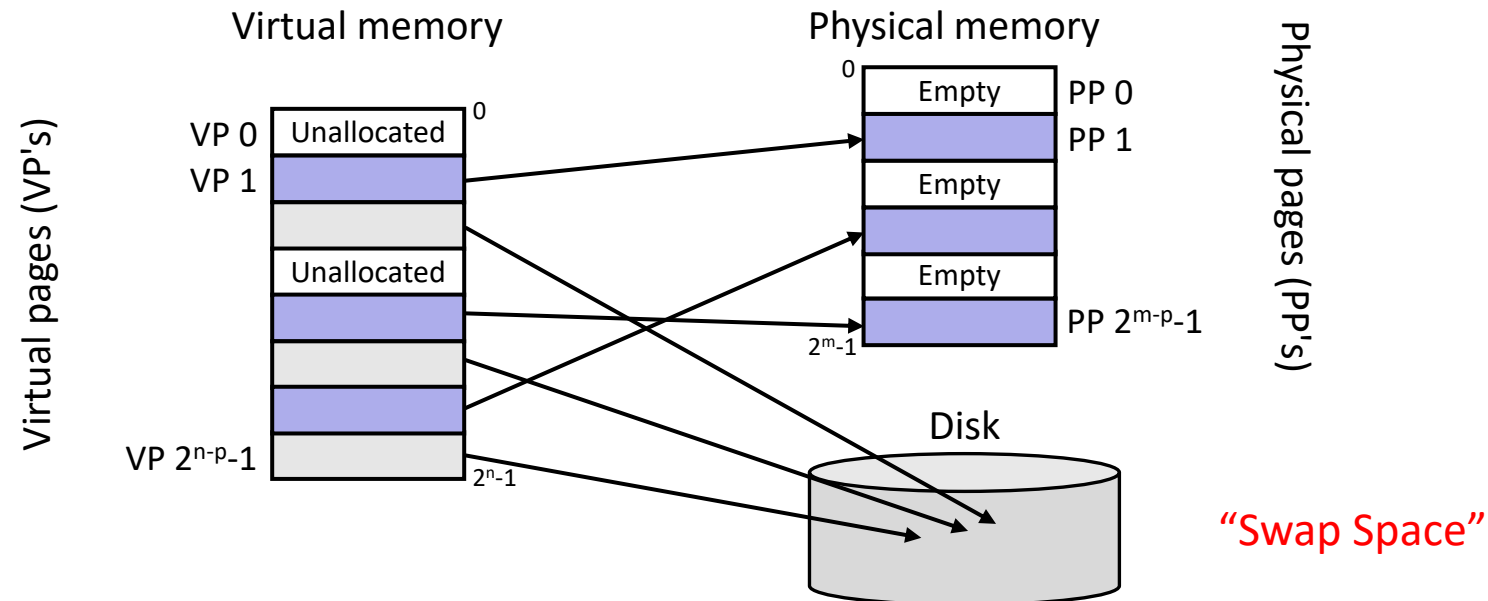
- ❖ HW24 due Friday, HW25 due next Wednesday (12/6)
- ❖ Today is the last day to submit Lab 4
- ❖ Lab 5 due next Thursday (12/7)
 - The most significant amount of C programming you will do in this class – combines lots of topics from this class: pointers, bit manipulation, structs, examining memory
 - Understanding the concepts *first* and efficient *debugging* will save you lots of time
 - Light style grading
- ❖ Final exam: 12/11-13
 - Final review section on 12/7, final review session on 12/8

A detailed, colorful micrograph of a microchip die, showing a complex grid of circuitry and various colored regions (purple, blue, yellow, green, red) representing different functional blocks.

Virtual Memory II

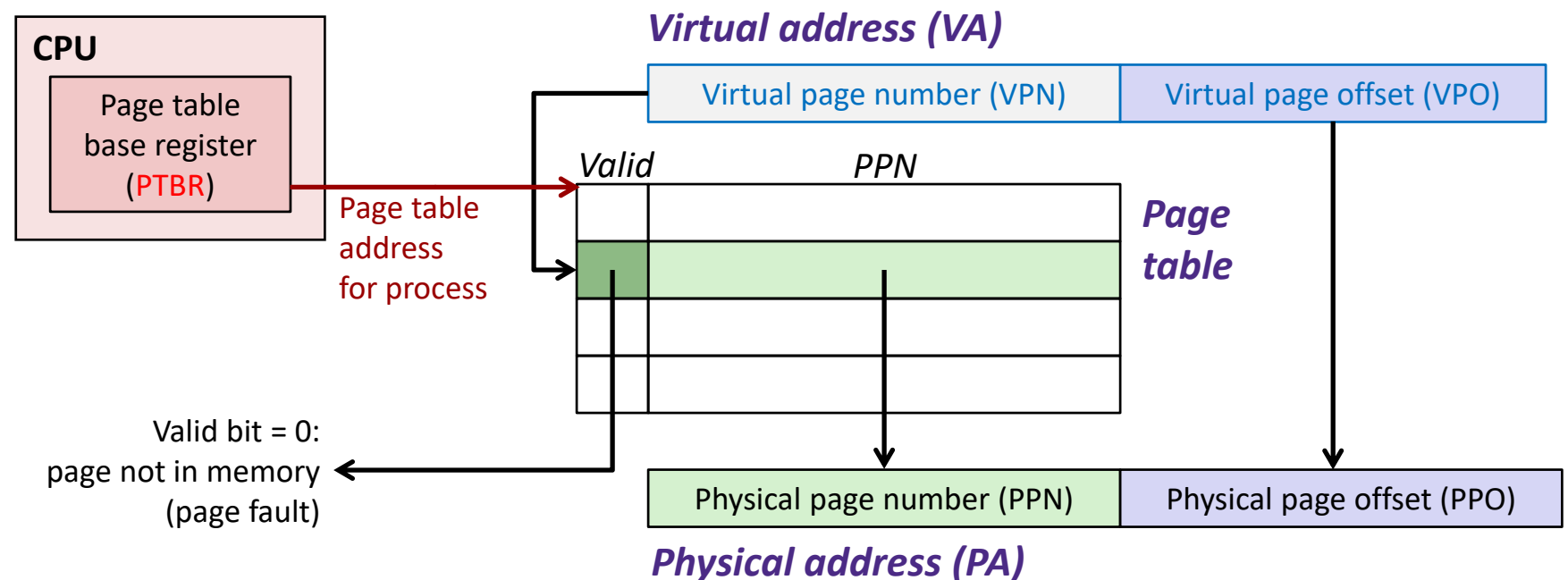
Lesson Summary (1/3)

- ❖ Can think of physical memory as a cache of virtual memory
 - Data is transferred between physical memory and swap space (disk) in *pages*
 - Physical memory has caching parameters and properties
 - Large page size, fully associative, write-back, replacement policy
 - Caveats: virtual pages may not exist, data doesn't have to exist in both physical memory and disk



Lesson Summary (2/3)

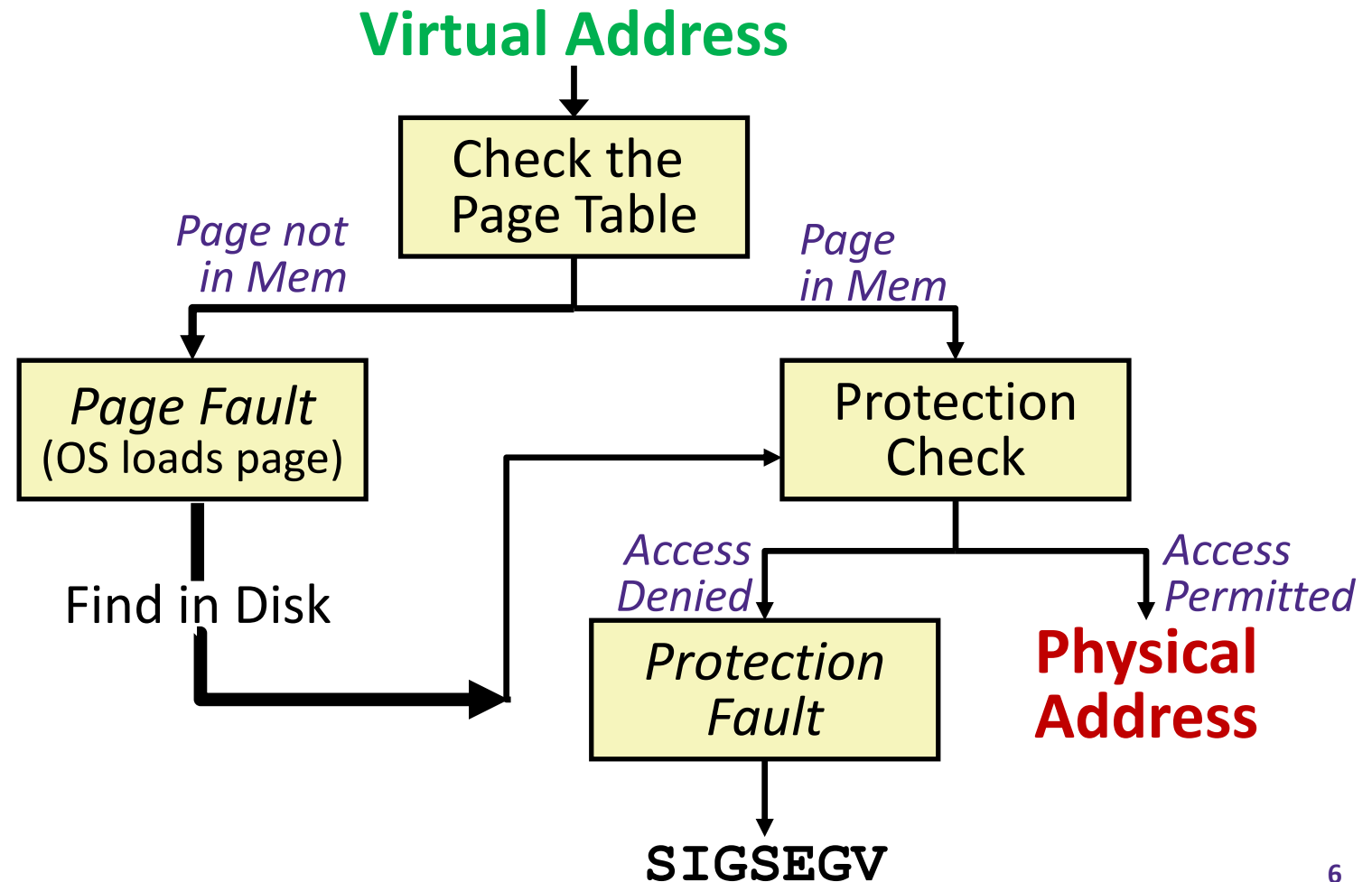
- ❖ Address translation done via **page tables**
 - Lookup tables (one per process) that map VPN → PPN
 - Uses management bits: valid bit, access rights (read, write, execute)
 - Stored in memory – page table for currently-running process is pointed to by **page table base register (PTBR)**



Lesson Summary (2/3)

❖ The address translation story (SO FAR) is check the page table in memory

- Input: VPN, Output: PPN
- **Page Fault**: Fetch page from disk to memory, update corresponding page table entry
- **Page Table Hit**: Use existing page table entry



Lesson Q&A

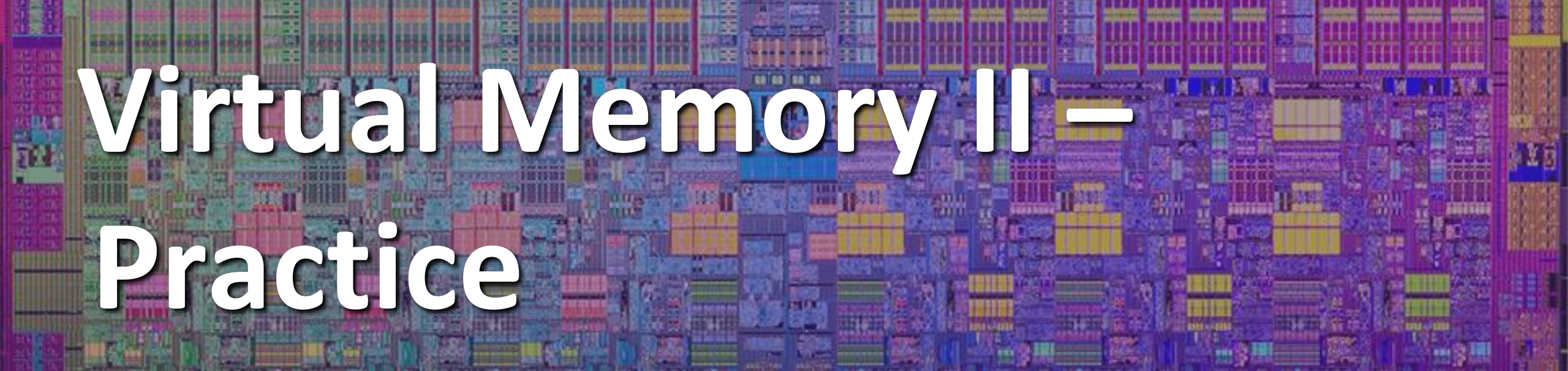
❖ Terminology:

- Paging: page size (P), page offset width (p) virtual page number (VPN), physical page numbers (PPN)
- Page table (PT): page table entry (PTE), access rights (read, write, execute)

❖ Learning Objectives:

- Determine virtual memory parameters related to addresses, page tables, [and TLBs].
- Perform address translations (virtual address \rightarrow physical address).
- Describe the relationships between virtual memory parameters and policies.

❖ What lingering questions do you have from the lesson?

A detailed, colorful microchip die image serves as the background for the title. The chip is densely packed with various colored regions (purple, blue, yellow, green, red) representing different functional blocks and interconnects.

Virtual Memory II – Practice

Virtual Memory Concept Questions

- ❖ Which terms from caching are most similar/analogous to the new virtual memory terms?
 - page size
 - page offset width
 - virtual page number
 - physical page number
 - page table entry
 - access rights

VM Parameters Question

- ❖ How many bits wide are the following fields?
 - 16 KiB pages
 - 48-bit virtual addresses
 - 16 GiB physical memory

	VPN	PPN
(A)	34	24
(B)	32	18
(C)	30	20
(D)	34	20

Memory Review Question

- ❖ What should the permission bits be for pages from the following sections of virtual memory?

Section	Read	Write	Execute
Stack			
Heap			
Static Data			
Literals			
Instructions			

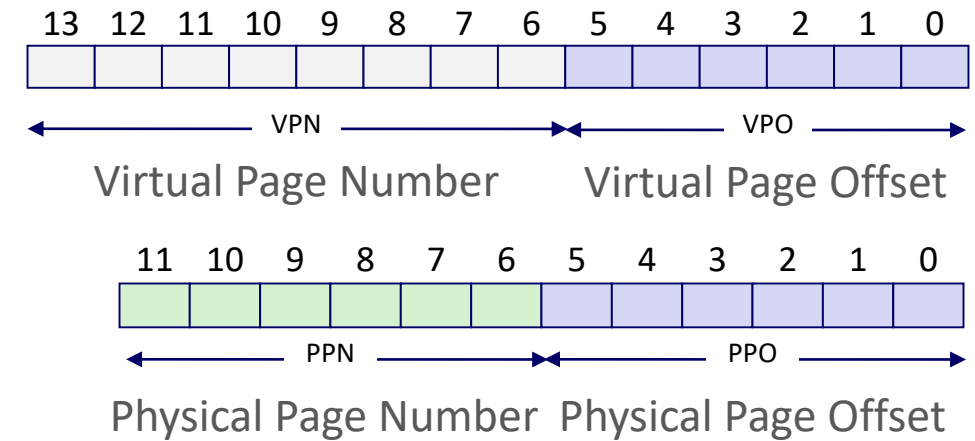
Homework Setup

❖ Simple Memory System Example

- 14-bit virtual addresses
- 12-bit physical address
- Page size = 64 bytes
- Only showing first 16 entries of page table:
 - Other management bits not shown

❖ Questions:

- Give a virtual address that causes a page fault.
- What virtual address corresponds to the physical address 0x5F1?



<i>VPN</i>	<i>PPN</i>	<i>Valid</i>	<i>VPN</i>	<i>PPN</i>	<i>Valid</i>
0	28	1	8	13	1
1	–	0	9	17	1
2	33	1	A	09	1
3	02	1	B	–	0
4	–	0	C	–	0
5	16	1	D	2D	1
6	–	0	E	–	0
7	–	0	F	0D	1

Group Work Time

- ❖ During this time, you are encouraged to work on the following:
 - 1) If desired, continue your discussion
 - 2) Work on the homework problems
 - 3) Work on the current lab

- ❖ Resources:
 - You can revisit the lesson material
 - Work together in groups and help each other out
 - Course staff will circle around to provide support