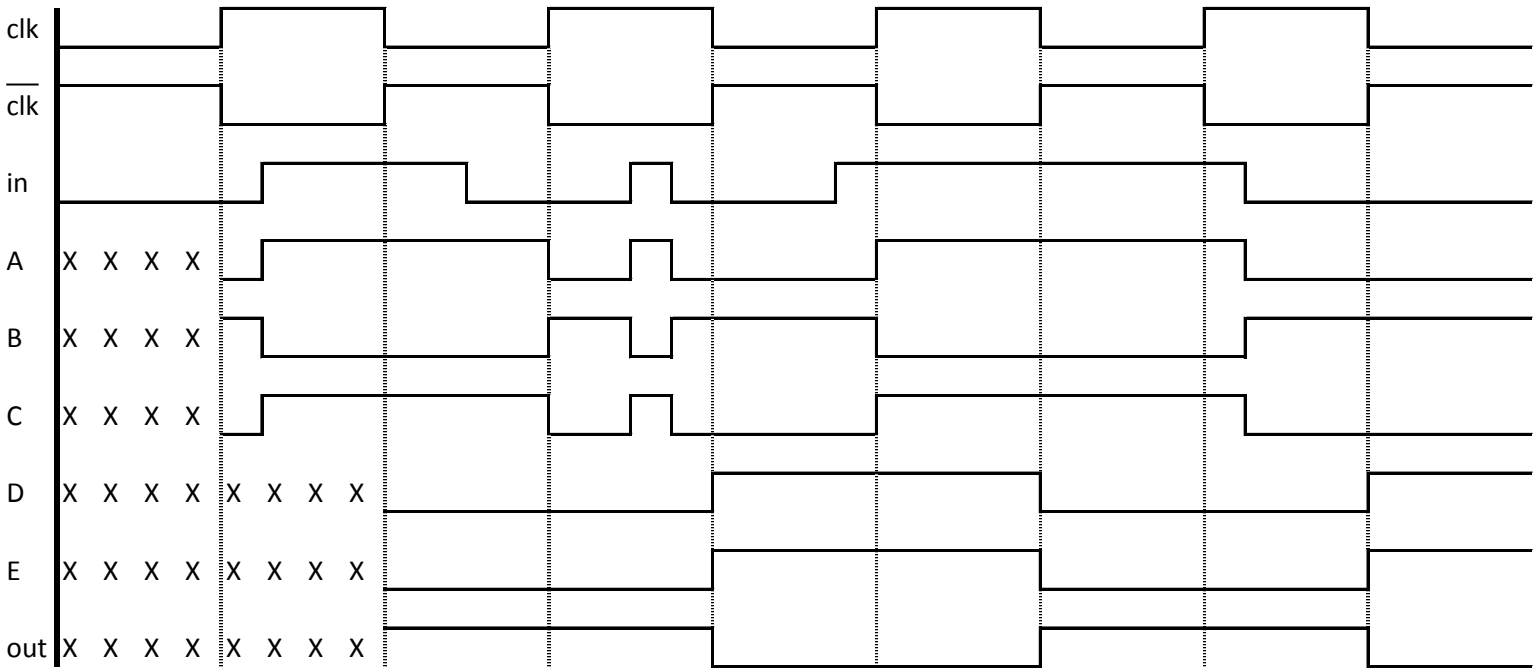
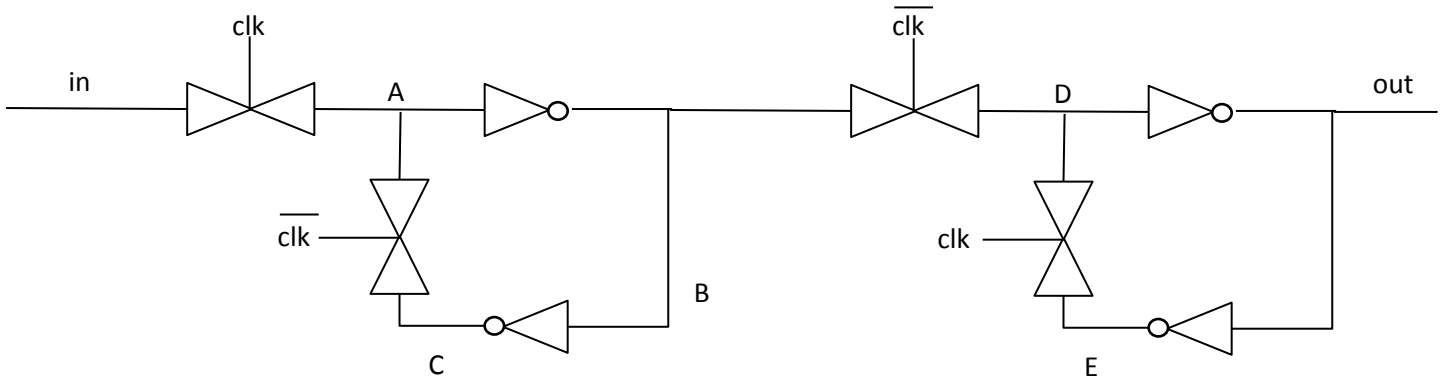


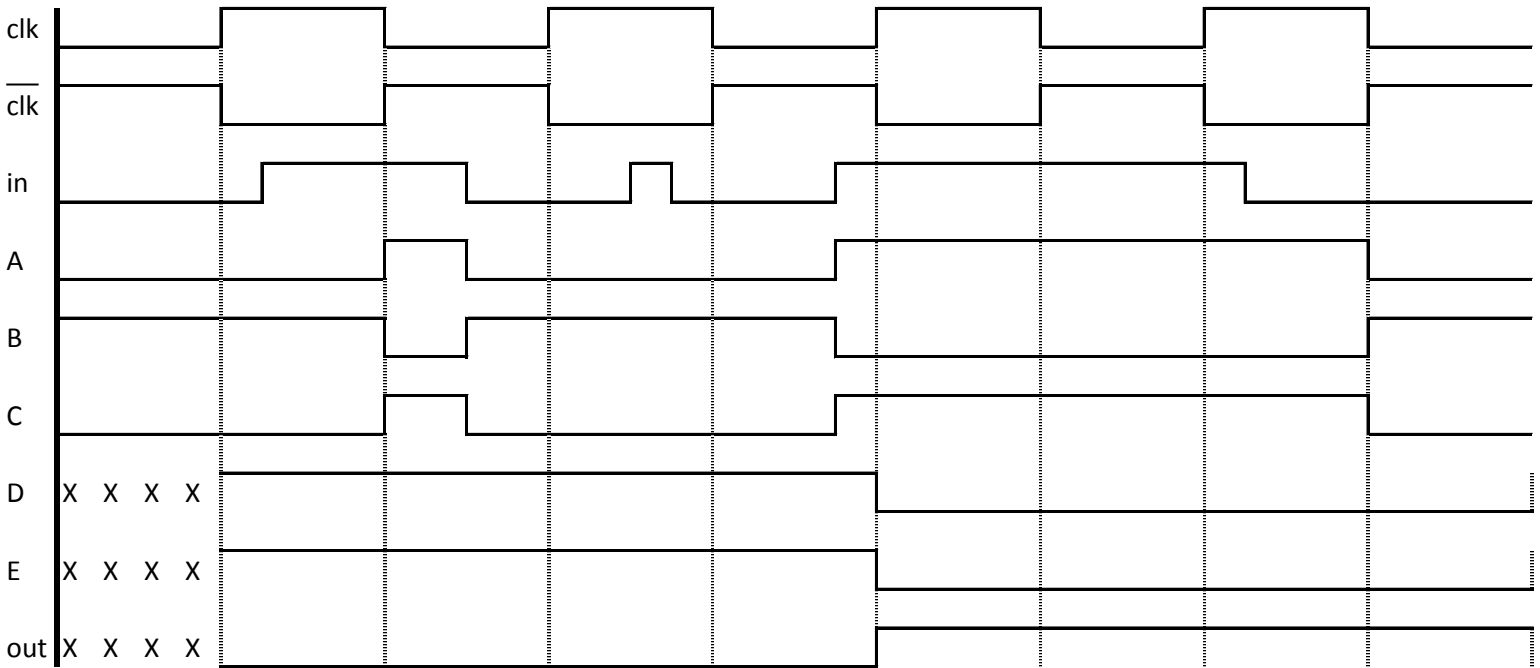
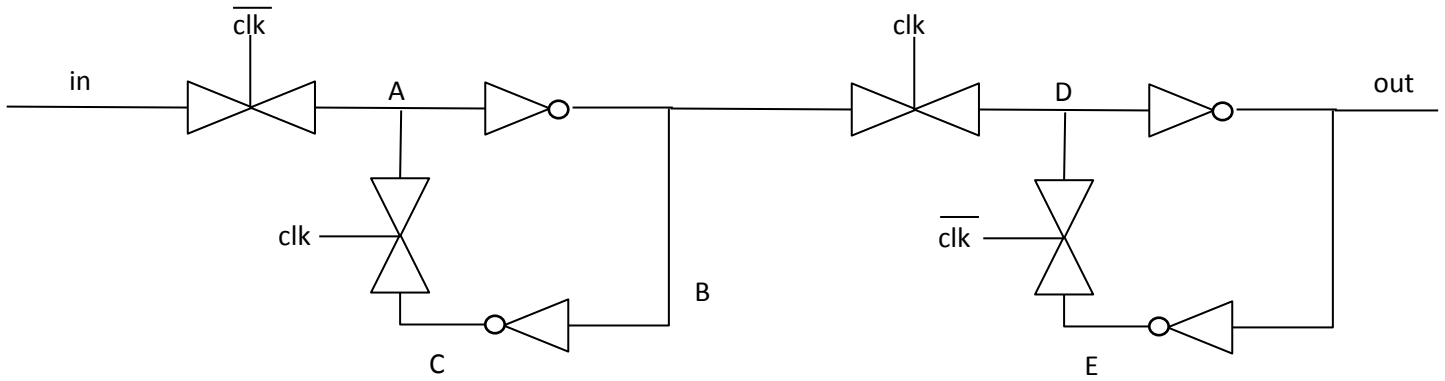
1)



Fill in the chart above with the appropriate signals. Mark X's in regions where the signal state is not known.

Is this a falling edge or rising edge flip flop? **FALLING**

2)



Fill in the chart above with the appropriate signals. Mark X's in regions where the signal state is not known.

Is this a falling edge or rising edge flip flop? **RISING**