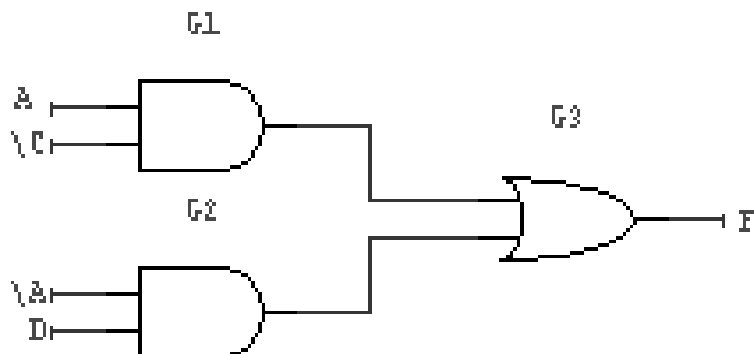


## Hazard Detection

		A		
	0	0	1	1
	1	1	1	1
	1	1	0	0
C	0	0	0	0
		B		

## Hazard Detection



# Avoiding Hazards

