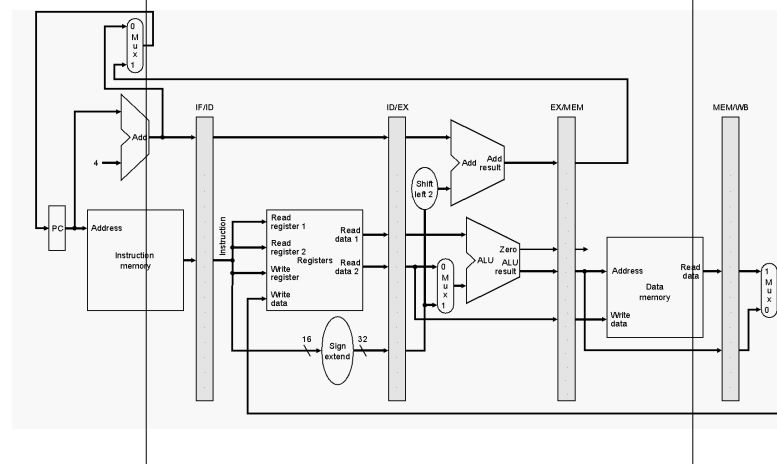


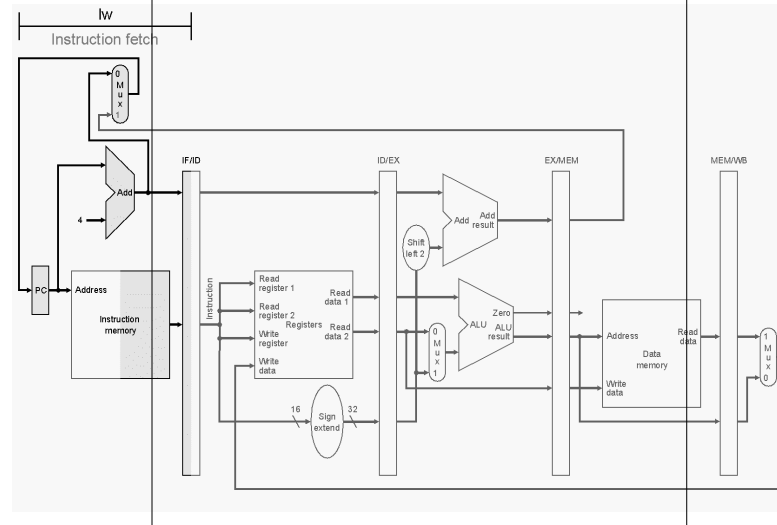
Operation of a Pipeline

Each stage of a pipeline must be controlled independently of the other stages ... pipeline registers make this happen

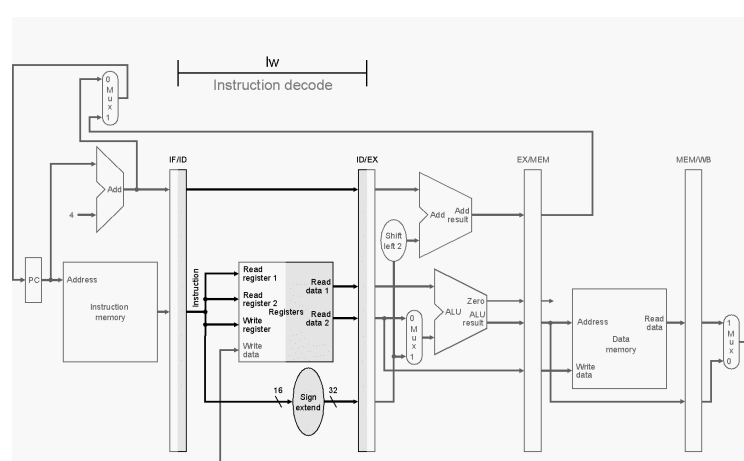
Pipeline Registers



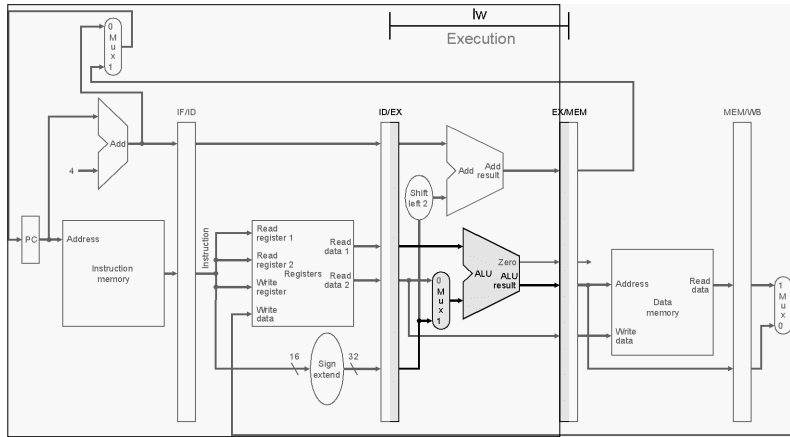
Stage 1, LW



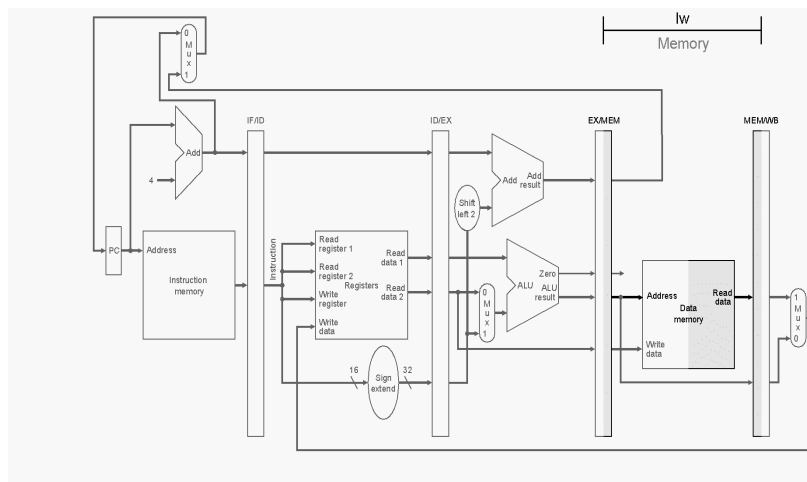
Stage 2, LW

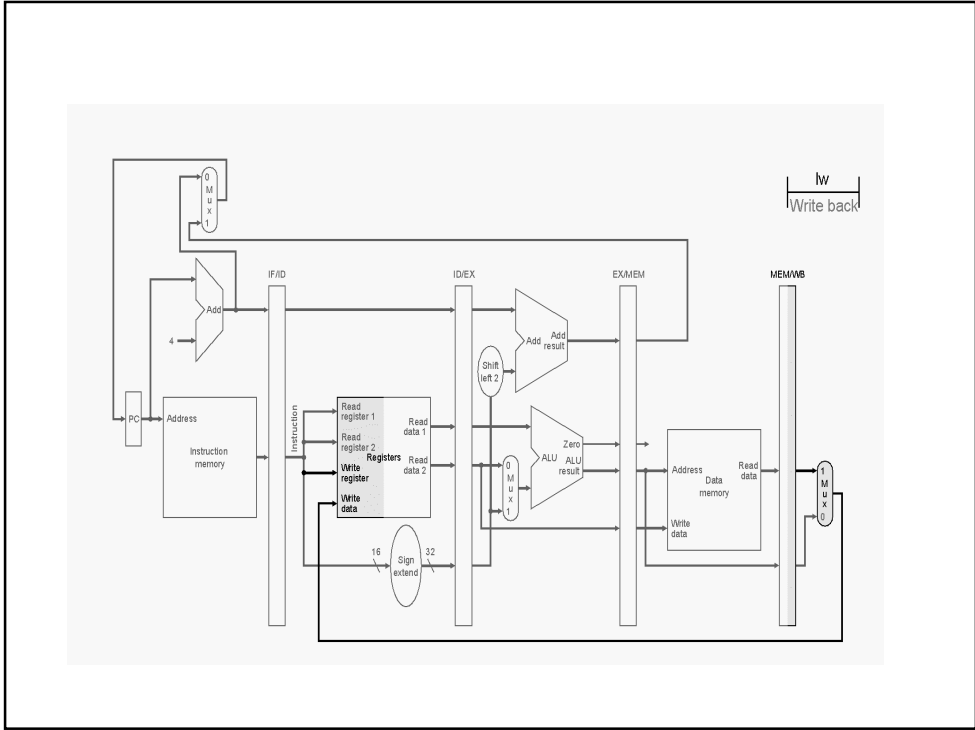


Stage 3, LW

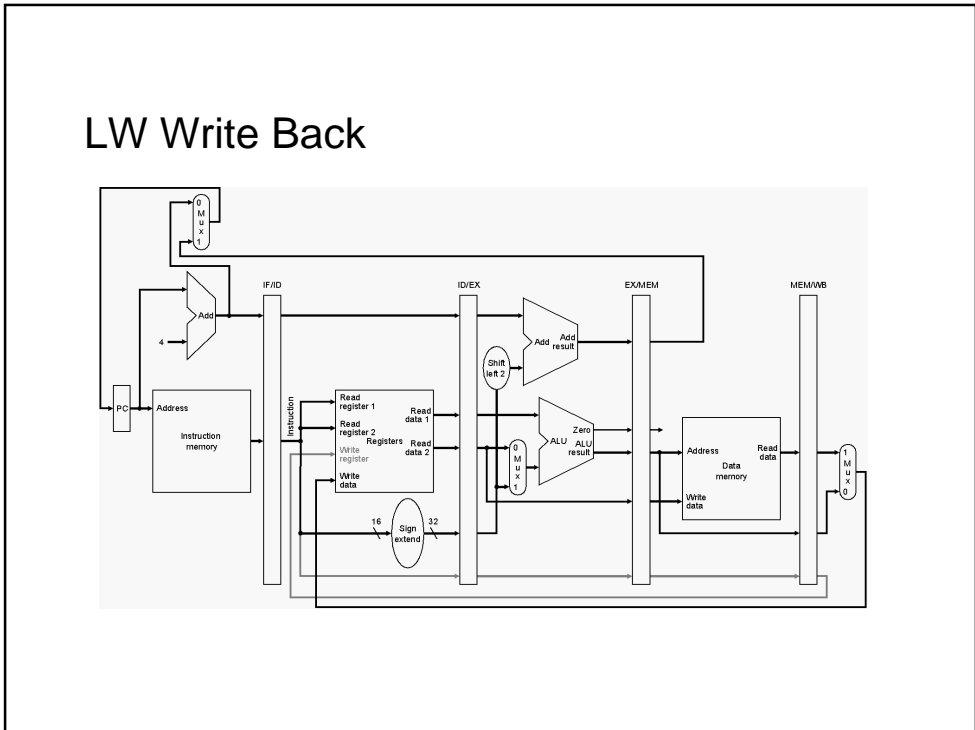


Stage 4, LW

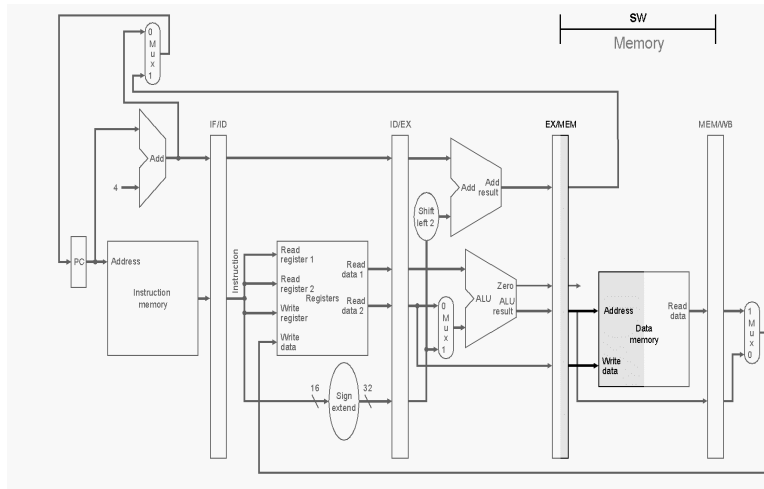




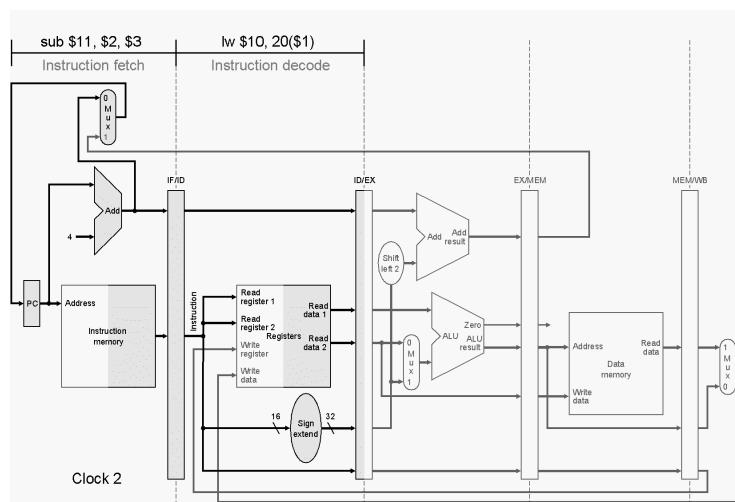
LW Write Back



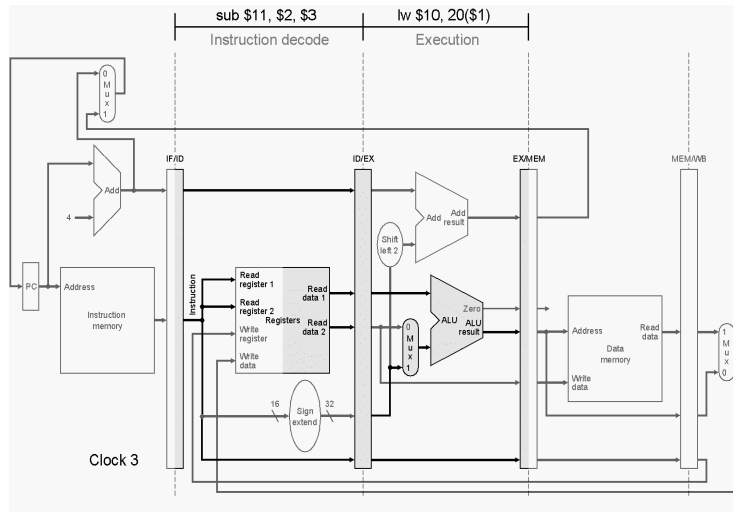
Stage 4, SW



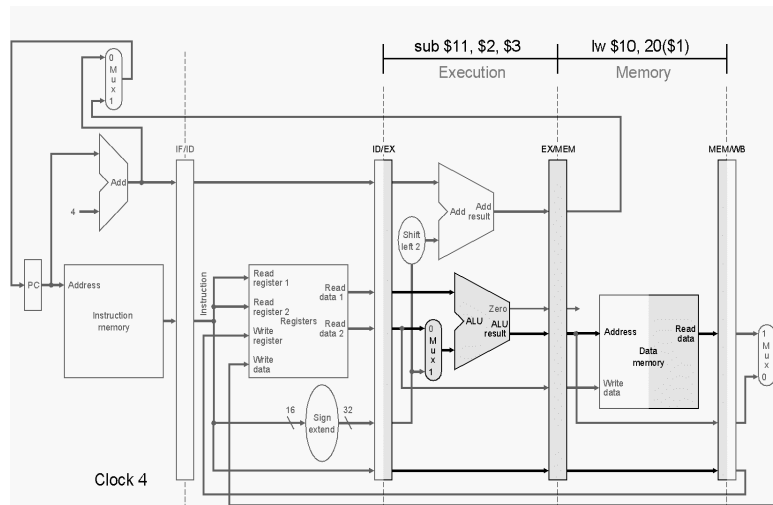
Two Instructions In Pipe



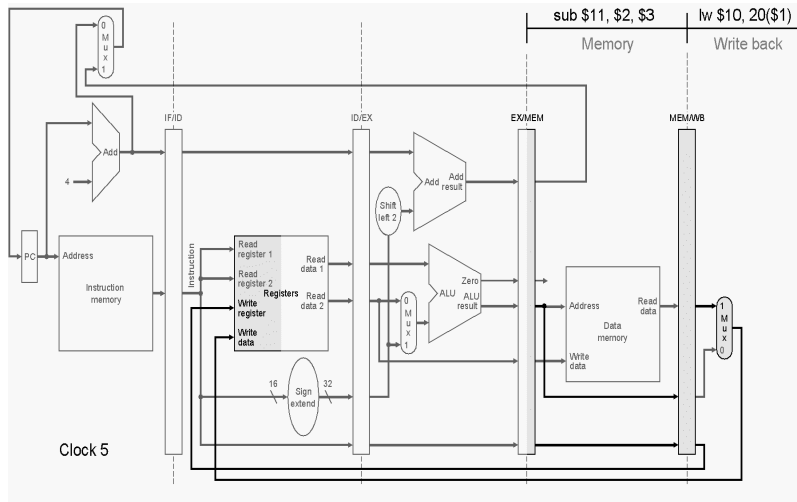
Advance Instructions: 2,3



Advance Clock: 3,4



Advance Clock: 4,5



Advance Clock: 5

