




Lecture 11 (Fri 10/17/2008)

- Lab #1 Hardware - Due Fri Oct 17 - Today! at 5pm
- HW #2 - MIPS programming, due Wed Oct 22
- Midterm - Fri Oct 24

- Today's objectives:
 - Intro to Pipelining

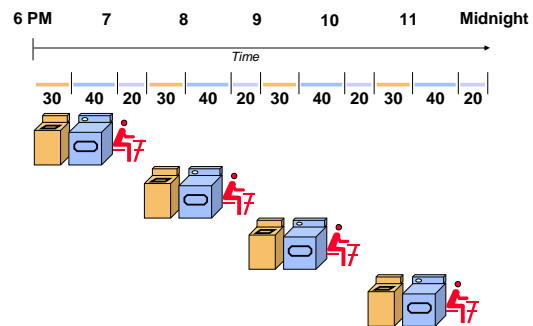
1

A relevant question

- Assuming you've got:
 - One washer (takes 30 minutes) 
 - One drier (takes 40 minutes) 
 - One "folder" (takes 20 minutes) 
- It takes 90 minutes to wash, dry, and fold 1 load of laundry.
 - How long does 4 loads take?

2

The slow way



- If each load is done sequentially it takes 6 hours

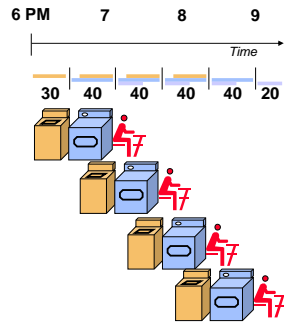
3

Laundry Pipelining

- Start each load as soon as possible
 - Overlap loads
-
- A horizontal timeline from 6 PM to Midnight. The timeline is divided into 1-hour intervals. Below the timeline, the duration for each task is indicated: 30 minutes for the washer, 40 minutes for the drier, and 20 minutes for the folder. Four sets of these tasks are shown in a staircase pattern, indicating that each load is completed as soon as possible, overlapping the previous load. The first load starts at 6 PM and finishes at 7:30 PM. The second load starts at 6:30 PM and finishes at 8:00 PM. The third load starts at 7:00 PM and finishes at 8:30 PM. The fourth load starts at 7:30 PM and finishes at 9:00 PM.
- Pipelined laundry takes 3.5 hours

4

Pipelining Lessons



- Pipelining doesn't help **latency** of single load, it helps **throughput** of entire workload
- Pipeline rate limited by **slowest** pipeline stage
- **Multiple** tasks operating simultaneously using different resources
- Potential speedup = **Number pipe stages**
- Unbalanced lengths of pipe stages reduces speedup
- Time to "fill" pipeline and time to "drain" it reduces speedup

5

Pipelining

- Pipelining is a general-purpose efficiency technique
 - It is not specific to processors
- Pipelining is used in:
 - Assembly lines
 - Bucket brigades
 - Fast food restaurants
- Pipelining is used in other CS disciplines:
 - Networking
 - Server software architecture
- Useful to increase throughput in the presence of long latency
 - More on that later...

6

Pipelining Processors

- We've seen two possible implementations of the MIPS architecture.
 - A **single-cycle datapath** executes each instruction in just one clock cycle, but the cycle time may be very long.
 - A **multicycle datapath** has much shorter cycle times, but each instruction requires many cycles to execute.
- **Pipelining** gives the best of both worlds and is used in just about every modern processor.
 - Cycle times are short so clock rates are high.
 - But we can still execute an instruction in about one clock cycle!

Single Cycle Datapath	CPI = 1	Long Cycle Time
Multi-cycle Datapath	CPI = ~4	Short Cycle Time
Pipelined Datapath	CPI = ~1	Short Cycle Time

7

Instruction execution review

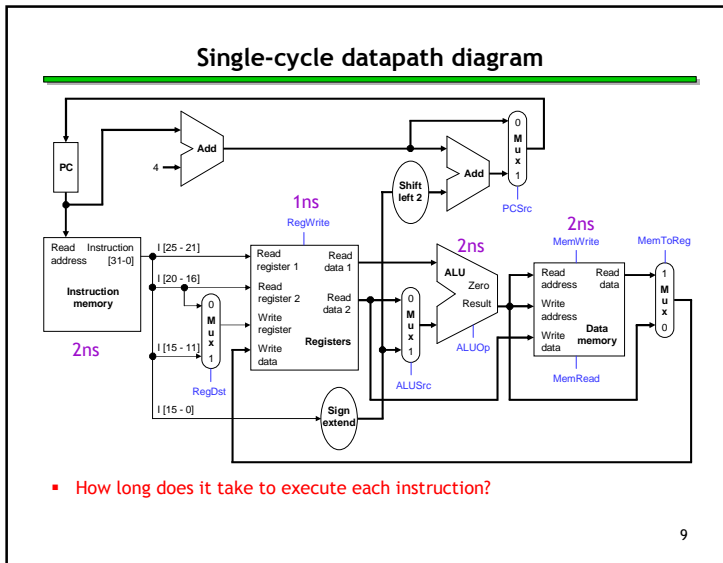
- Executing a MIPS instruction can take up to five steps.

Step	Name	Description
Instruction Fetch	IF	Read an instruction from memory.
Instruction Decode	ID	Read source registers and generate control signals.
Execute	EX	Compute an R-type result or a branch outcome.
Memory	MEM	Read or write the data memory.
Writeback	WB	Store a result in the destination register.

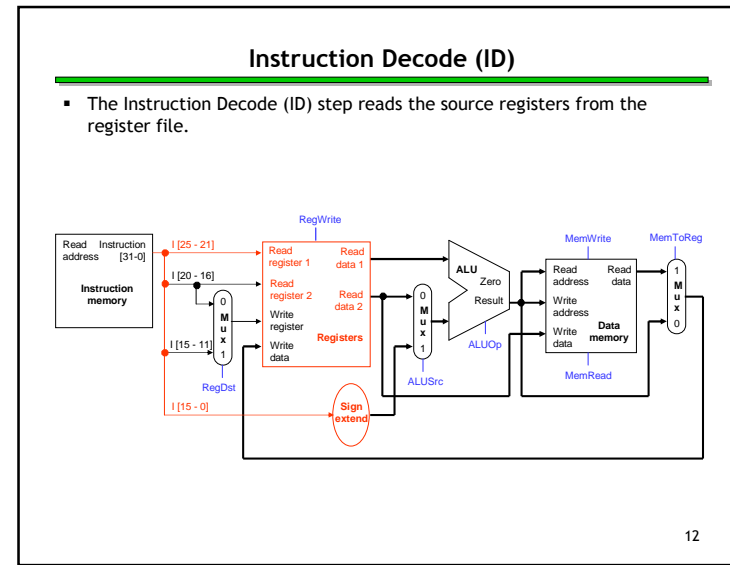
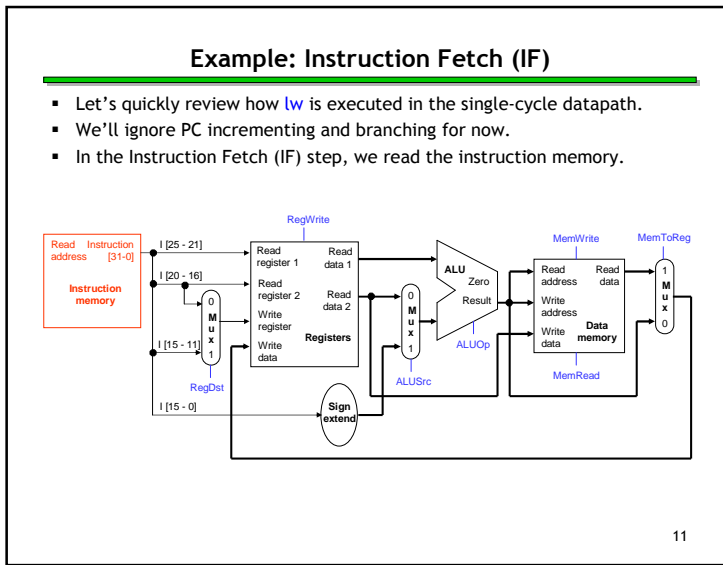
- However, as we saw, not all instructions need all five steps.

Instruction	Steps required				
beq	IF	ID	EX		
R-type	IF	ID	EX	MEM	WB
sw	IF	ID	EX	MEM	
lw	IF	ID	EX	MEM	WB

8

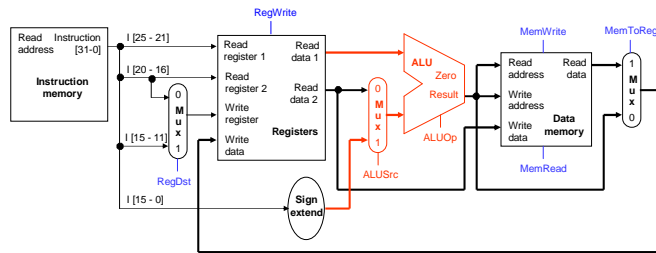


- ### Single-cycle review
- All five execution steps occur in one clock cycle.
 - This means the cycle time must be long enough to accommodate all the steps of the most complex instruction—a “lw” in our instruction set.
 - If the register file has a 1ns latency and the memories and ALU have a 2ns latency, “lw” will require 8ns.
 - Thus *all* instructions will take 8ns to execute.
 - Each hardware element can only be used once per clock cycle.
 - A “lw” or “sw” must access memory twice (in the IF and MEM stages), so there are separate instruction and data memories.
 - There are multiple adders, since each instruction increments the PC (IF) *and* performs another computation (EX). On top of that, branches also need to compute a target address.
- 10



Execute (EX)

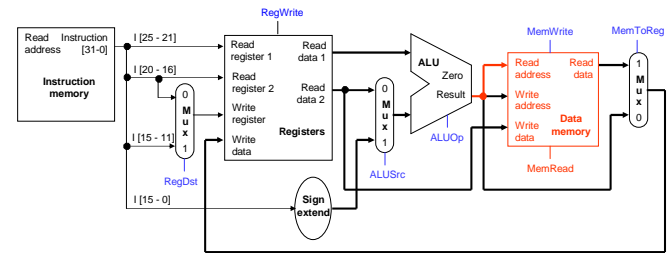
- The third step, Execute (EX), computes the effective memory address from the source register and the instruction's constant field.



13

Memory (MEM)

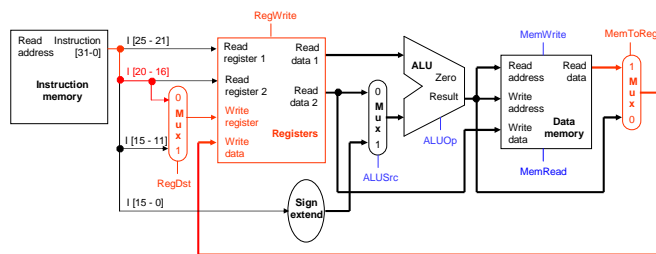
- The Memory (MEM) step involves reading the data memory, from the address computed by the ALU.



14

Writeback (WB)

- Finally, in the Writeback (WB) step, the memory value is stored into the destination register.



15

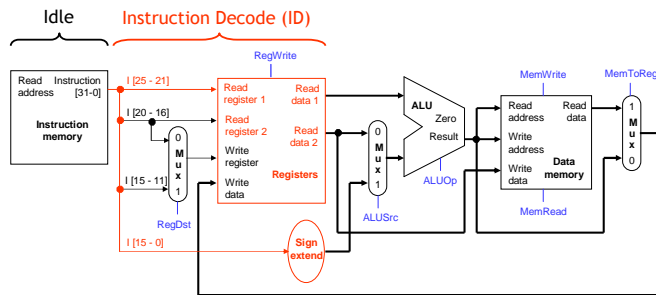
A bunch of lazy functional units

- Notice that each execution step uses a different functional unit.
- In other words, the main units are idle for most of the 8ns cycle!
 - The instruction RAM is used for just 2ns at the start of the cycle.
 - Registers are read once in ID (1ns), and written once in WB (1ns).
 - The ALU is used for 2ns near the middle of the cycle.
 - Reading the data memory only takes 2ns as well.
- That's a lot of hardware sitting around doing nothing.

16

Putting those slackers to work

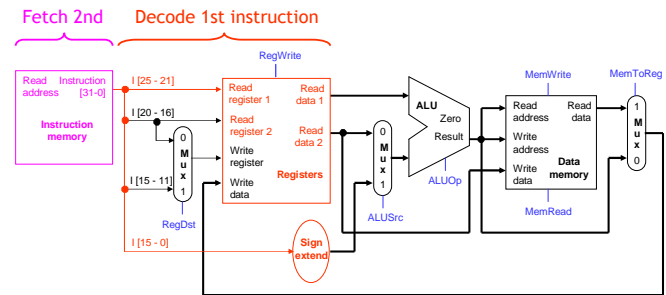
- We shouldn't have to wait for the entire instruction to complete before we can re-use the functional units.
- For example, the instruction memory is free in the Instruction Decode step as shown below, so...



17

Decoding and fetching together

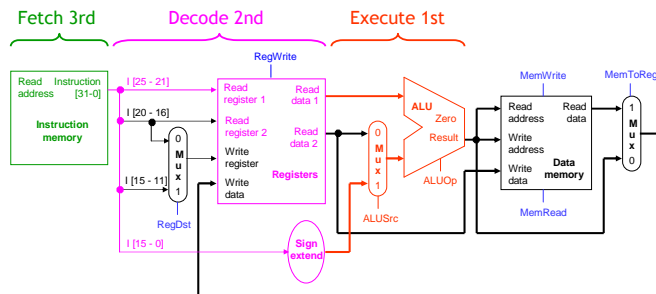
- Why don't we go ahead and fetch the *next* instruction while we're decoding the first one?



18

Executing, decoding and fetching

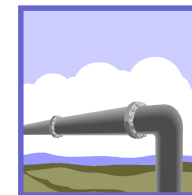
- Similarly, once the first instruction enters its Execute stage, we can go ahead and decode the second instruction.
- But now the instruction memory is free again, so we can fetch the third instruction!



19

Making Pipelining Work

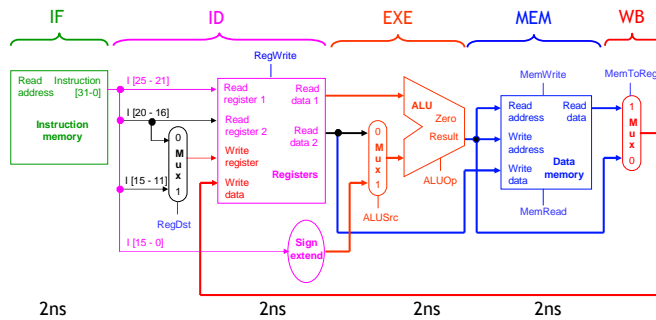
- We'll make our pipeline 5 stages long, to handle load instructions as they were handled in the multi-cycle implementation
 - Stages are: IF, ID, EX, MEM, and WB
- We want to support executing 5 instructions simultaneously: one in each stage.



20

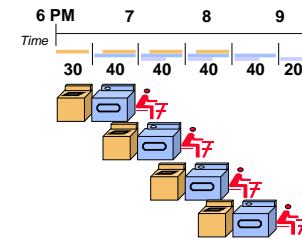
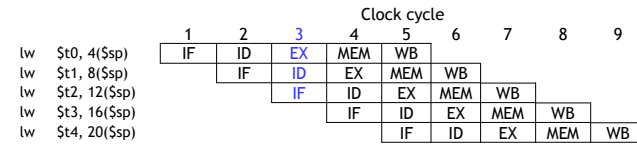
Break datapath into 5 stages

- Each stage has its own functional units.
- Each stage can execute in 2ns
 - Just like the multi-cycle implementation



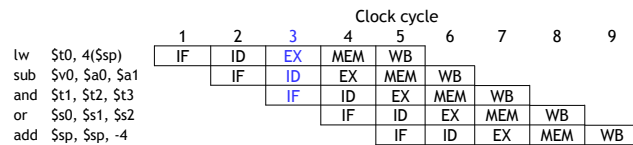
21

Pipelining Loads



22

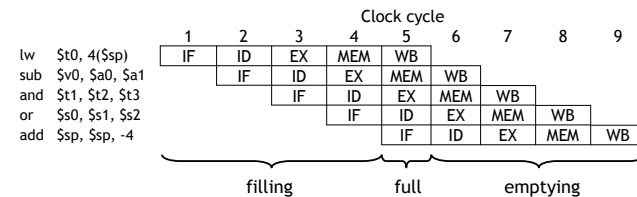
A pipeline diagram



- A **pipeline diagram** shows the execution of a series of instructions.
 - The instruction sequence is shown vertically, from top to bottom.
 - Clock cycles are shown horizontally, from left to right.
 - Each instruction is divided into its component stages. (We show five stages for every instruction, which will make the control unit easier.)
- This clearly indicates the overlapping of instructions. For example, there are three instructions active in the third cycle above.
 - The “lw” instruction is in its Execute stage.
 - Simultaneously, the “sub” is in its Instruction Decode stage.
 - Also, the “and” instruction is just being fetched.

23

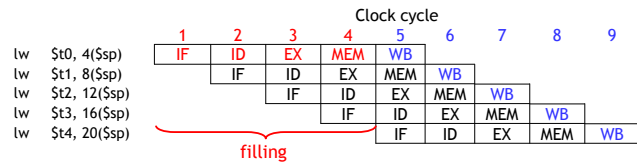
Pipeline terminology



- The **pipeline depth** is the number of stages—in this case, five.
- In the first four cycles here, the pipeline is **filling**, since there are unused functional units.
- In cycle 5, the pipeline is **full**. Five instructions are being executed simultaneously, so all hardware units are in use.
- In cycles 6-9, the pipeline is **emptying**.

24

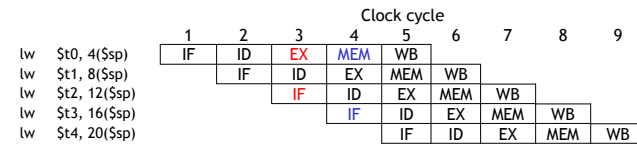
Pipelining Performance



- Execution time on ideal pipeline:
 - time to fill the pipeline + one cycle per instruction
 - N instructions -> 4 cycles + N cycles or $(2N + 8)$ ns for 2ns clock period
- Compare with other implementations:
 - Single Cycle: N cycles or 8N ns for 8ns clock period
 - Multicycle: CPI * N cycles or 8N ns for 2ns clock period and CPI = -4
- How much faster is pipelining for N=1000 ?

25

Pipeline Datapath: Resource Requirements

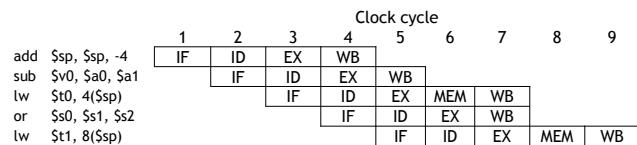


- We need to perform several operations in the same cycle.
 - Increment the PC and add registers at the same time.
 - Fetch one instruction while another one reads or writes data.
- Thus, like the single-cycle datapath, a pipelined processor duplicates hardware elements that are needed several times in the same clock cycle.

26

Pipelining other instruction types

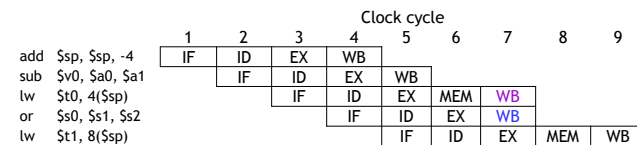
- R-type instructions only require 4 stages: IF, ID, EX, and WB
 - We don't need the MEM stage
- What happens if we try to pipeline loads with R-type instructions?



27

Important Observation

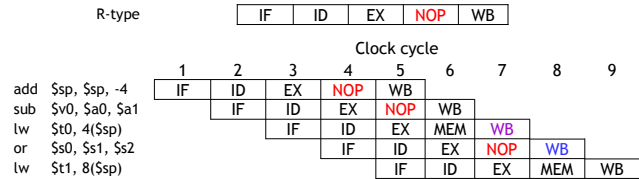
- Each functional unit can only be used once per instruction
- Each functional unit must be used at the same stage for all instructions. See the problem if:
 - Load uses Register File's Write Port during its 5th stage
 - R-type uses Register File's Write Port during its 4th stage



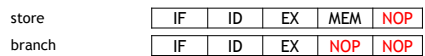
28

A solution: Insert NOP stages

- Enforce uniformity
 - Make all instructions take 5 cycles.
 - Make them have the same stages, in the same order
 - Some stages will **do nothing** for some instructions



- Stores and Branches have **NOP** stages, too...



29

Summary

- Pipelining attempts to maximize instruction throughput by overlapping the execution of multiple instructions.
- Pipelining offers amazing speedup.
 - In the best case, one instruction finishes on every cycle, and the speedup is equal to the pipeline depth.
- The pipeline datapath is much like the single-cycle one, but with added pipeline registers
 - Each stage needs its own functional units
- Next time we'll see the datapath and control, and walk through an example execution.

30