

CSE 403: Software Engineering, Spring 2015

courses.cs.washington.edu/courses/cse403/15sp/

System Testing

Emina Torlak

emina@cs.washington.edu

Outline

- Recap: system testing
- Integration testing
- Performance testing



recap

system testing

System testing

- **System testing:** tests the behavior of a system as a whole, with respect to scenarios and requirements
 - Functional testing, integration testing
 - Load, stress, performance testing
 - Acceptance, usability, installation, beta testing



System testing

- **System testing:** tests the behavior of a system as a whole, with respect to scenarios and requirements
 - Functional testing, integration testing
 - Load, stress, performance testing
 - Acceptance, usability, installation, beta testing



integration testing

Integration testing



Integration testing

- **Integration testing:** checking software quality by testing two or more dependent software modules as a group or a (sub)system.
- Challenges same as in unit testing, plus:
 - Combined units can fail in more places and in more complicated ways.
 - How to test a partial system where not all parts exist?
 - How to "rig" the behavior of unit A so as to produce a given behavior from unit B?



Stubs: a way to test a partial system



Stubs: a way to test a partial system

- **Stub:** A controllable replacement for an existing software unit to which your code under test has a dependency.



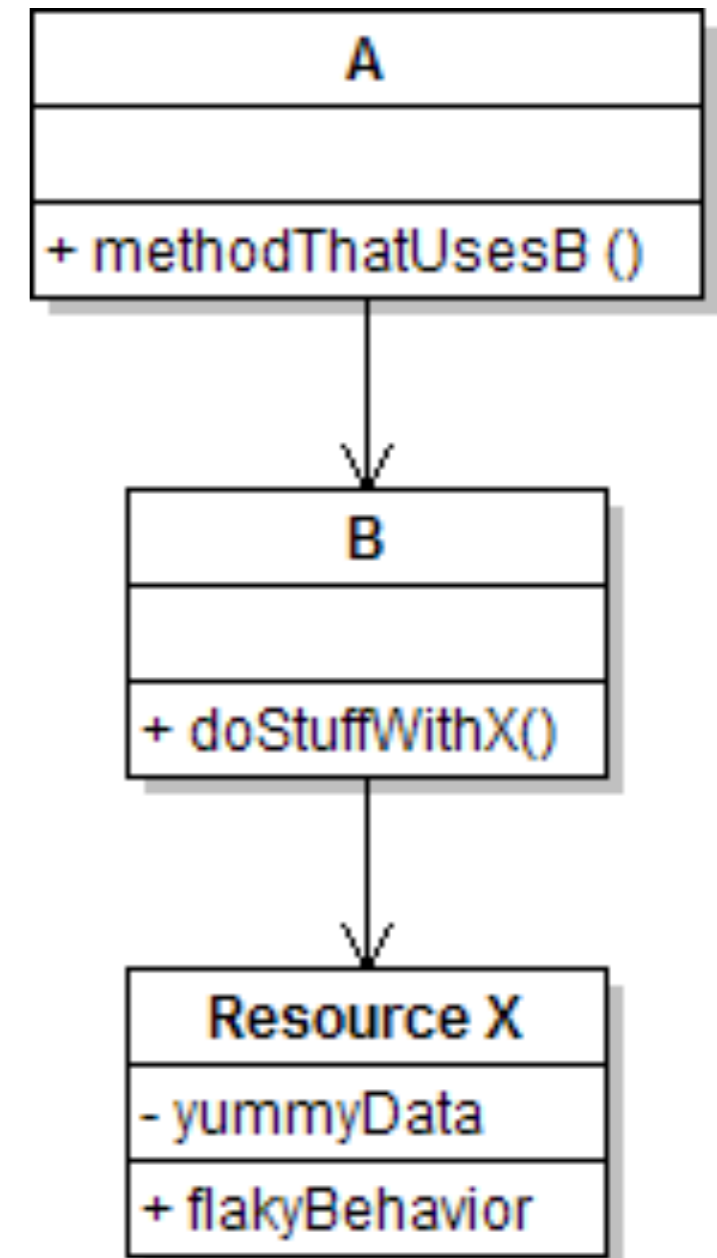
Stubs: a way to test a partial system

- **Stub:** A controllable replacement for an existing software unit to which your code under test has a dependency.
- Useful for simulating difficult-to-control elements:
 - network / internet
 - time/date-sensitive code
 - database, files, io, threads, memory
 - brittle legacy code /systems



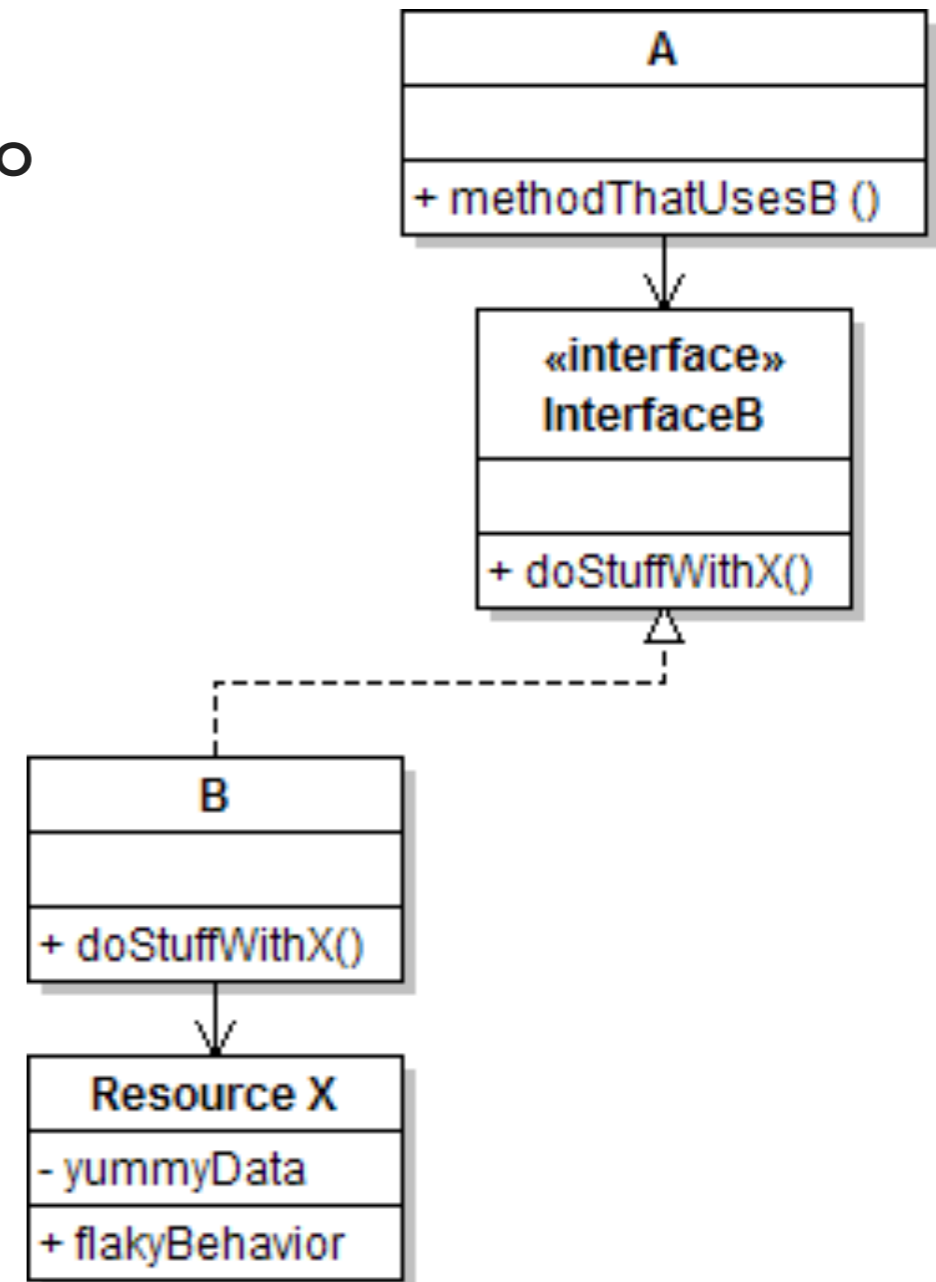
Testing with stubs (1/3)

- Identify the external dependency.
 - This is either a resource or a class/object.
 - If it isn't an object, wrap it up into one.
 - (Suppose that Class A depends on Class B.)



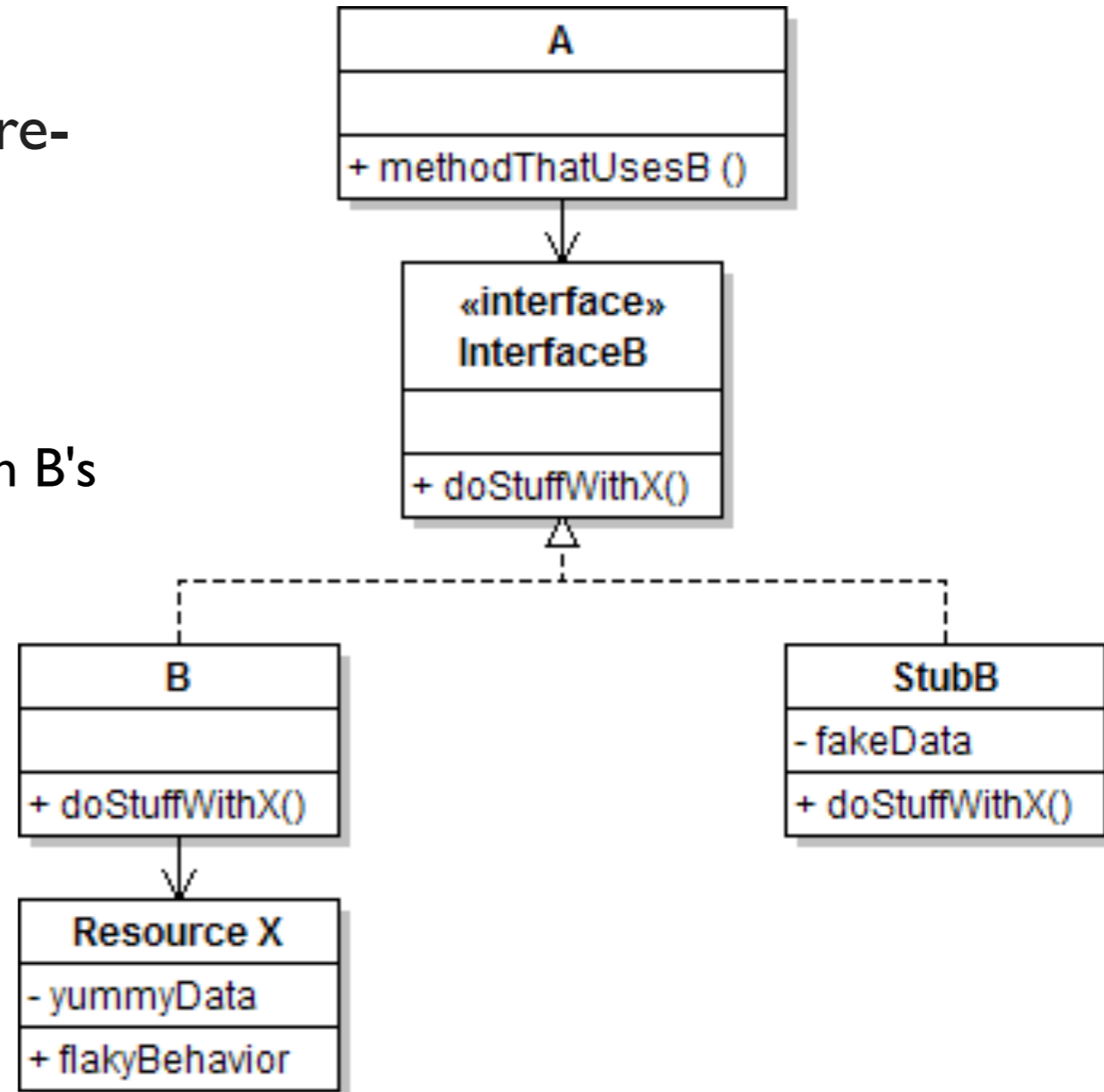
Testing with stubs (2/3)

- Extract the core functionality of the object into an interface.
 - Create an InterfaceB based on B
 - Change all of A's code to work with type InterfaceB, not B



Testing with stubs (3/3)

- Write a second "stub" class that also implements the interface, but returns pre-determined fake data.
 - Now A's dependency on B is abstracted away and can be tested easily.
 - Can focus on how well A integrates with B's external behavior.



Where to inject stubs?

Where to inject stubs?

- Seams: places to inject the stub so Class A will talk to it.
 - at construction (not ideal)
A aardvark = **new** A(**new** StubB());
 - through a getter/setter method (better)
A apple = **new** A(...);
aardvark.setResource(**new** StubB());
 - just before usage, as a parameter (also better)
aardvark.methodThatUsesB(**new** StubB());

Where to inject stubs?

- Seams: places to inject the stub so Class A will talk to it.
 - at construction (not ideal)
A aardvark = **new** A(**new** StubB());
 - through a getter/setter method (better)
A apple = **new** A(...);
aardvark.setResource(**new** StubB());
 - just before usage, as a parameter (also better)
aardvark.methodThatUsesB(**new** StubB());
- You should not have to change A's code everywhere (beyond using your interface) in order to use your Stub B. (a "testable design")

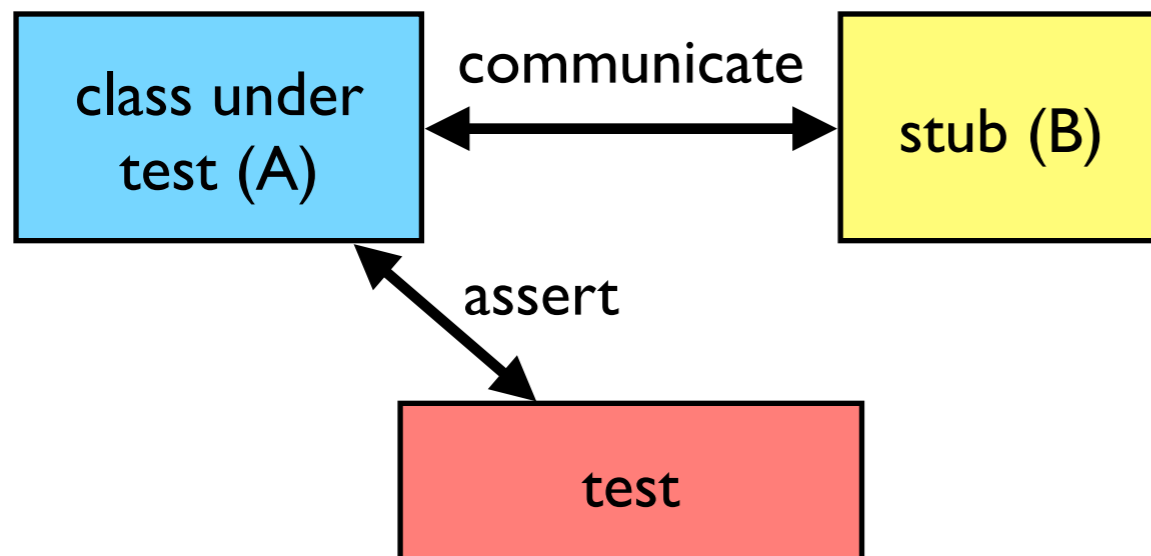
Mock objects: a way to test interactions

- **Mock object:** A fake object that decides whether a unit test has passed or failed by watching interactions between objects.
- Useful for **interaction** testing, as opposed to **state** testing



Stubs vs mocks

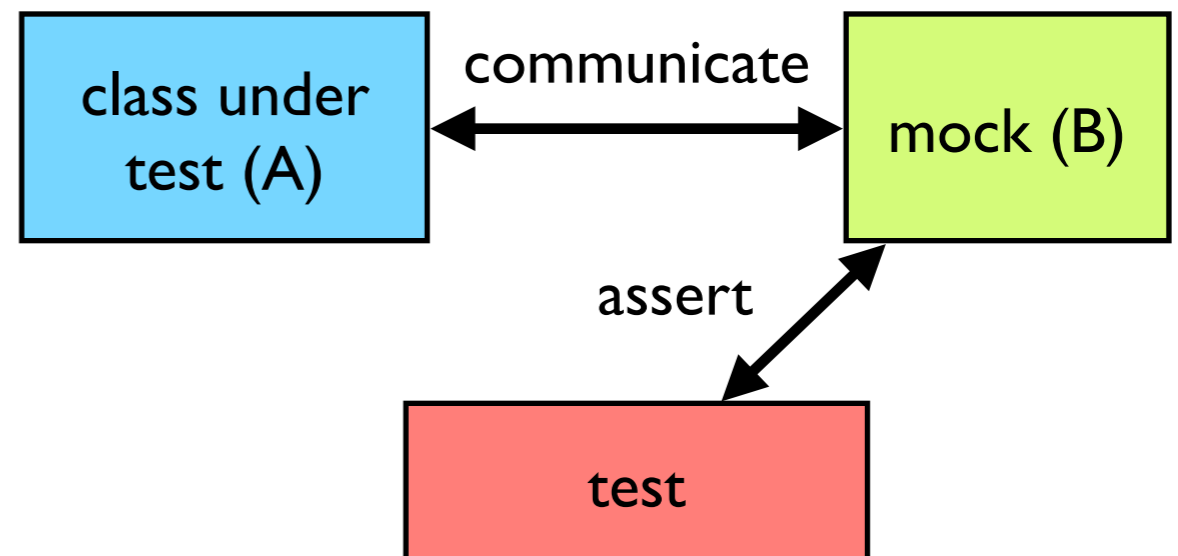
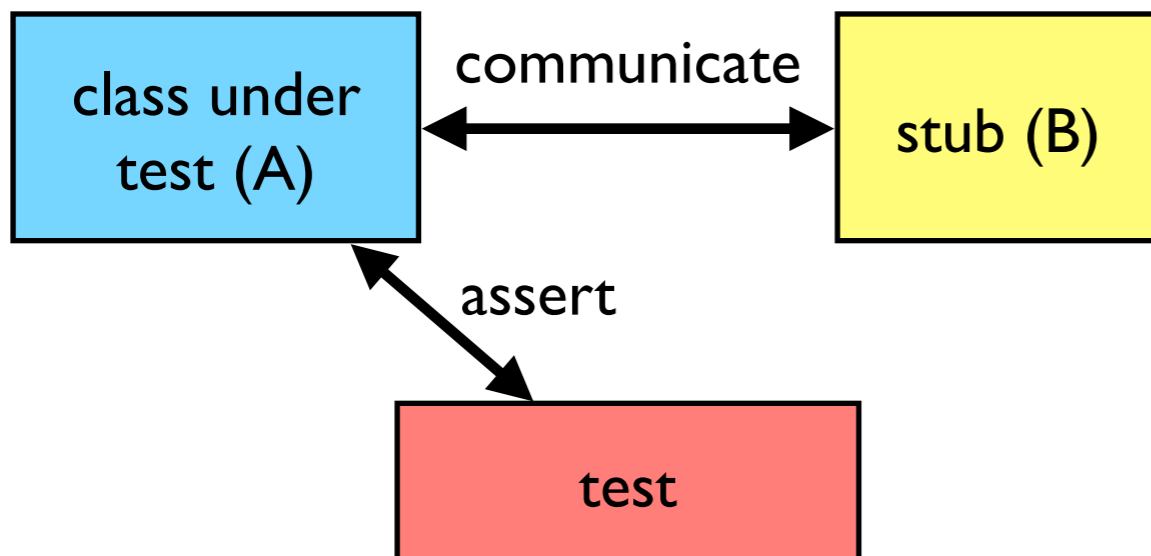
- A stub (B) gives out data that goes to the object/class under test (A).
 - The unit test directly asserts against A, to make sure it gives the right result when fed B's data.



Stubs vs mocks

- A **stub** (B) gives out data that goes to the object/class under test (A).
 - The unit test directly asserts against A, to make sure it gives the right result when fed B's data.

- A **mock** (B) waits to be called by the class under test (A).
 - It may have several methods it expects that A should call.
 - It makes sure that it was called in exactly the right way.
 - If A interacts with B the way it should, the test passes.



Mock object frameworks

- Stubs are often best created by hand/IDE. Mocks are tedious to create manually.
- Mock object frameworks help with the process.
 - android-mock, EasyMock, jMock (Java)
 - ...
- Frameworks provide the following:
 - auto-generation of mock objects that implement a given interface
 - logging of what calls are performed on the mock objects
 - methods/primitives for declaring and asserting your expectations

Mock object frameworks

- Stubs are often best created by hand/IDE. Mocks are tedious to create manually.
- Mock object frameworks help with the process.
 - android-mock, EasyMock, jMock (Java)
 - ...
- Frameworks provide the following:
 - auto-generation of mock objects that implement a given interface
 - logging of what calls are performed on the mock objects
 - methods/primitives for declaring and asserting your expectations

A jMock example

```
import org.jmock.integration.junit4.*; // Assumes that we are testing
import org.jmock.*; // class A's calls on B.

@RunWith(JMock.class)
public class ClassATest {
    private Mockery mockery = new JUnit4Mockery(); // initialize jMock

    @Test public void testACallsBProperly1() {
        // create mock object to mock InterfaceB
        final InterfaceB mockB = mockery.mock(InterfaceB.class);

        // construct object from class under test; attach to mock
        A aardvark = new A(...);
        aardvark.setResource(mockB);

        // declare expectations for how mock should be used
        mockery.checking(new Expectations() {{
            oneOf(mockB).method1("an expected parameter");
            will(returnValue(0.0));
            oneOf(mockB).method2();
        }});

        // execute code A under test; should lead to calls on mockB
        aardvark.methodThatUsesB();

        // assert that A behaved as expected
        mockery.assertIsSatisfied();
    }
}
```

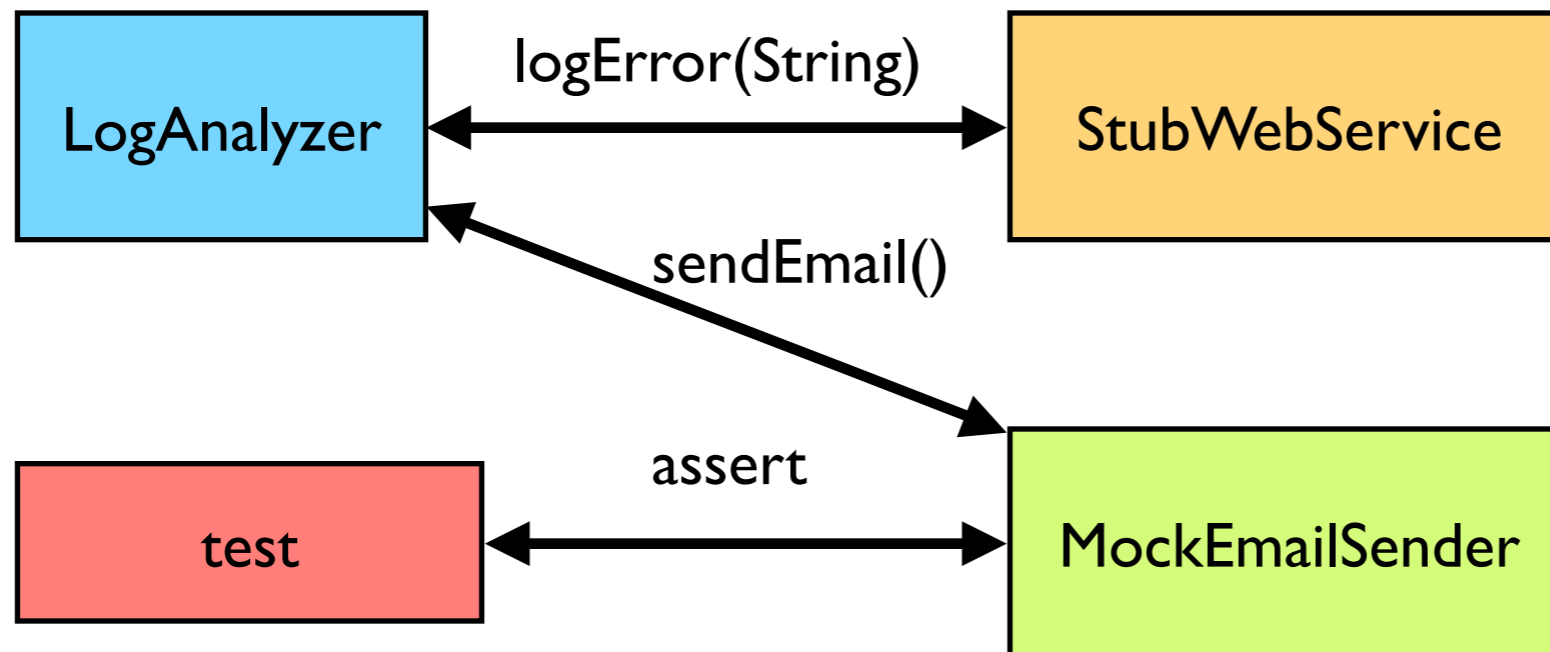
Using stubs and mocks together

Using stubs and mocks together

- Suppose a log analyzer reads from a web service. If the web fails to log an error, the analyzer must send email.

Using stubs and mocks together

- Suppose a log analyzer reads from a web service. If the web fails to log an error, the analyzer must send email.
- How to test to ensure that this behavior is occurring?
 - Set up a stub for the web service that intentionally fails.
 - Set up a mock for the email service that checks to see whether the analyzer contacts it to send an email message.



performance testing

Acceptance, performance

- **Acceptance testing:** System is shown to the user / client / customer to make sure that it meets their needs.
 - A form of black-box system testing.
- Performance is important.
 - Performance is a major aspect of program acceptance by users.
 - Your intuition about what's slow is often wrong.

Acceptance, performance

- **Acceptance testing:** System is shown to the user / client / customer to make sure that it meets their needs.
 - A form of black-box system testing.
- Performance is important.
 - Performance is a major aspect of program acceptance by users.
 - Your intuition about what's slow is often wrong.

Premature optimization is the root of all evil.

Donald Knuth

Thinking about performance

Thinking about performance

- The app is only too slow if it doesn't meet your project's stated performance requirements.
 - If it meets them, DON'T optimize it!

Thinking about performance

- The app is only too slow if it doesn't meet your project's stated performance requirements.
 - If it meets them, DON'T optimize it!
- Which is more important, fast code or correct code?

Thinking about performance

- The app is only too slow if it doesn't meet your project's stated performance requirements.
 - If it meets them, DON'T optimize it!
- Which is more important, fast code or correct code?
- What are reasonable performance requirements?
 - What are the user's expectations? How slow is "acceptable" for this portion of the application?
 - How long do users wait for a web page to load?
 - Some tasks (admin updates database) can take longer

Profile and measure before optimizing

- **Runtime / CPU usage**
 - what lines of code the program is spending the most time in
 - what call/invocation paths were used to get to these lines
- **Memory usage**
 - what kinds of objects are on the heap
 - where were they allocated
 - who is pointing to them now
 - "memory leaks" (does Java have these?)
- **Web page load times, requests/minute, ...**



Profile and measure before optimizing

- **Runtime / CPU usage**

- what lines of code the program is spending the most time in
- what call/invocation paths were used to get to these lines

CPU profiling slows down your code (a lot). Design your profiling tests to be very short.

- **Memory usage**

- what kinds of objects are on the heap
- where were they allocated
- who is pointing to them now
- "memory leaks" (does Java have these?)

- **Web page load times, requests/minute, ...**



Optimization hints: think high-level

Optimization hints: think high-level

- Focus on high-level optimizations (algorithms, data structures)
 - Leave the low-level ones to the compiler

Optimization hints: think high-level

- Focus on high-level optimizations (algorithms, data structures)
 - Leave the low-level ones to the compiler
- Some common high-level optimizations
 - **Lazy evaluation** saves you from computing/loading
 - don't read / compute things until you need them
 - **Hashing, caching** save you from reloading resources
 - combine multiple database queries into one query
 - save I/O / query results in memory for later Web page load times, requests/minute, etc.
 - **Precomputing** values and storing them in a lookup table
 - the first 1000 primes

Summary

- System testing checks the behavior of a system as a whole.
- Integration testing checks software quality by testing two or more dependent software modules as a group.
- Performance testing checks that a system meets performance requirements (e.g., responsiveness).

