

Cryptography (cont.)

Daniel Halperin
Tadayoshi Kohno

Thanks to Dan Boneh, Dieter Gollmann, John Manferdelli, John Mitchell, Vitaly Shmatikov, Bennet Yee, and many others for sample slides and materials ...

Updates Oct. 17th

- **Lab 1** is due *Friday*
- TA office hours Fri before class
(12-2:20, CSE 002)
- My office hours today, Wed after class
(CSE 210)
- 584 paper reviews
- What are you doing to Emacs?

Today

- Today's symmetric algorithm: ***AES block cipher***
- ***Cryptographic primitives***: how to use a block cipher
- Evaluating privacy and integrity

DES and 56 bit keys (Stallings Tab 2.2)

◆ 56 bit keys are quite short

Key Size (bits)	Number of Alternative Keys	Time required at 1 encryption/ μ s	Time required at 10^6 encryptions/ μ s
32	$2^{32} = 4.3 \times 10^9$	$2^{31} \mu\text{s} = 35.8$ minutes	2.15 milliseconds
56	$2^{56} = 7.2 \times 10^{16}$	$2^{55} \mu\text{s} = 1142$ years	10.01 hours
128	$2^{128} = 3.4 \times 10^{38}$	$2^{127} \mu\text{s} = 5.4 \times 10^{24}$ years	5.4×10^{18} years
168	$2^{168} = 3.7 \times 10^{50}$	$2^{167} \mu\text{s} = 5.9 \times 10^{36}$ years	5.9×10^{30} years
26 characters (permutation)	$26! = 4 \times 10^{26}$	$2 \times 10^{26} \mu\text{s} = 6.4 \times 10^{12}$ years	6.4×10^6 years

◆ 1999: EFF DES Crack + distributed machines

- < 24 hours to find DES key

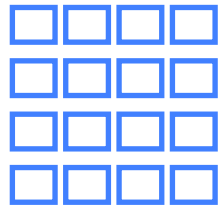
◆ DES ---> 3DES

- 3DES: DES + inverse DES + DES (with 2 or 3 diff keys)

Advanced Encryption Standard (AES)

- ◆ New federal standard as of 2001
- ◆ Based on the **Rijndael** algorithm
- ◆ 128-bit blocks, keys can be 128, 192 or 256 bits
- ◆ Unlike DES, does not use Feistel structure
 - The entire block is processed during each round
- ◆ Design uses some very nice mathematics

Basic Structure of Rijndael



128-bit plaintext

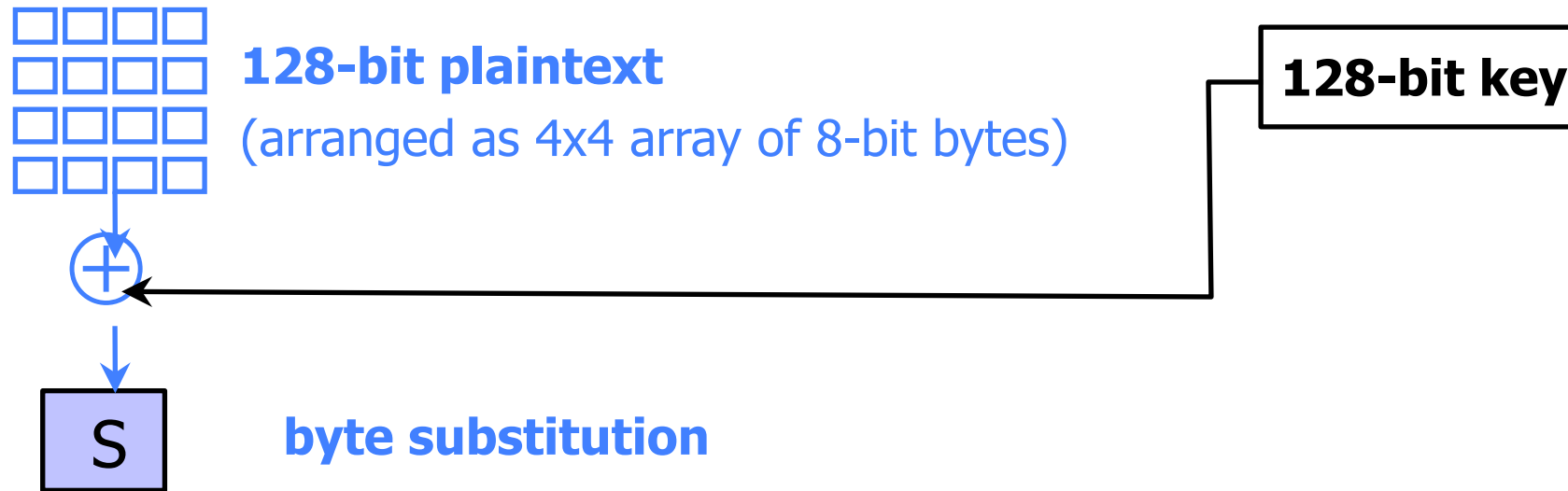
(arranged as 4x4 array of 8-bit bytes)

128-bit key

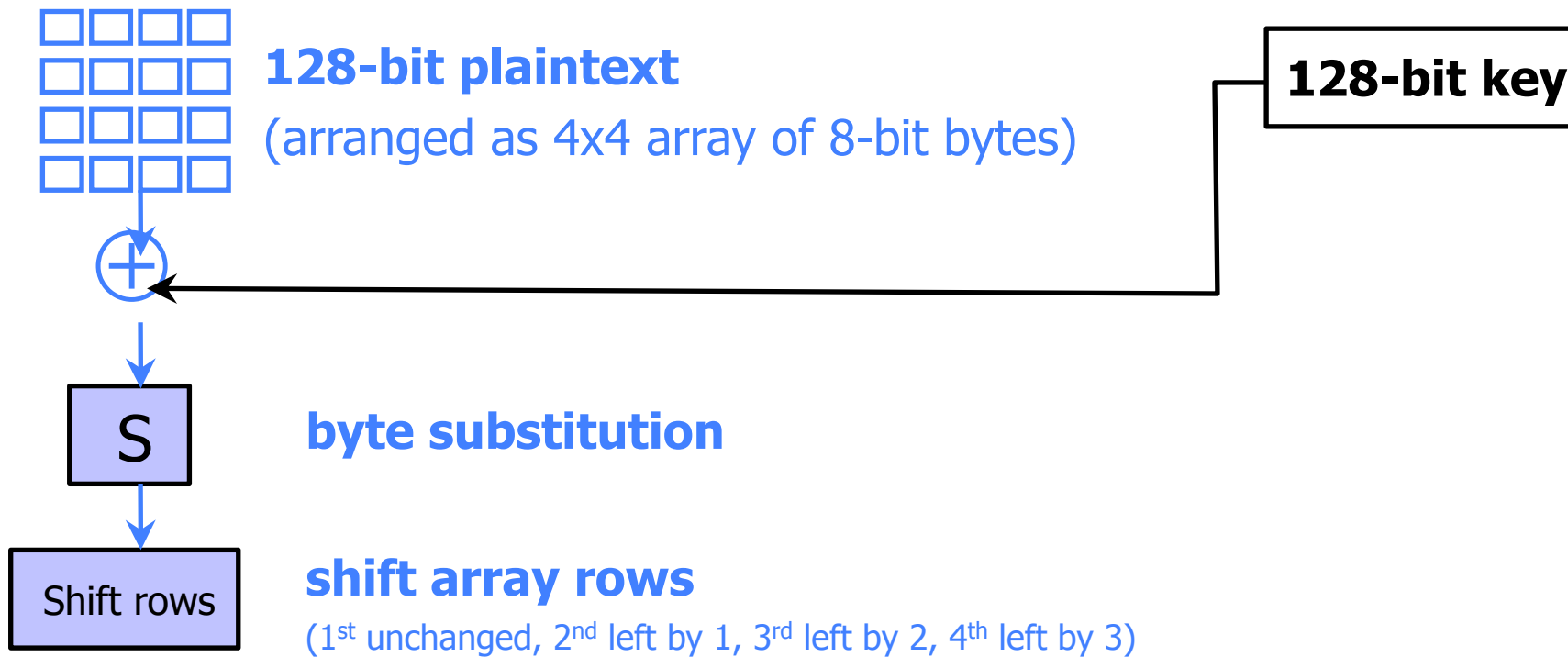
Basic Structure of Rijndael



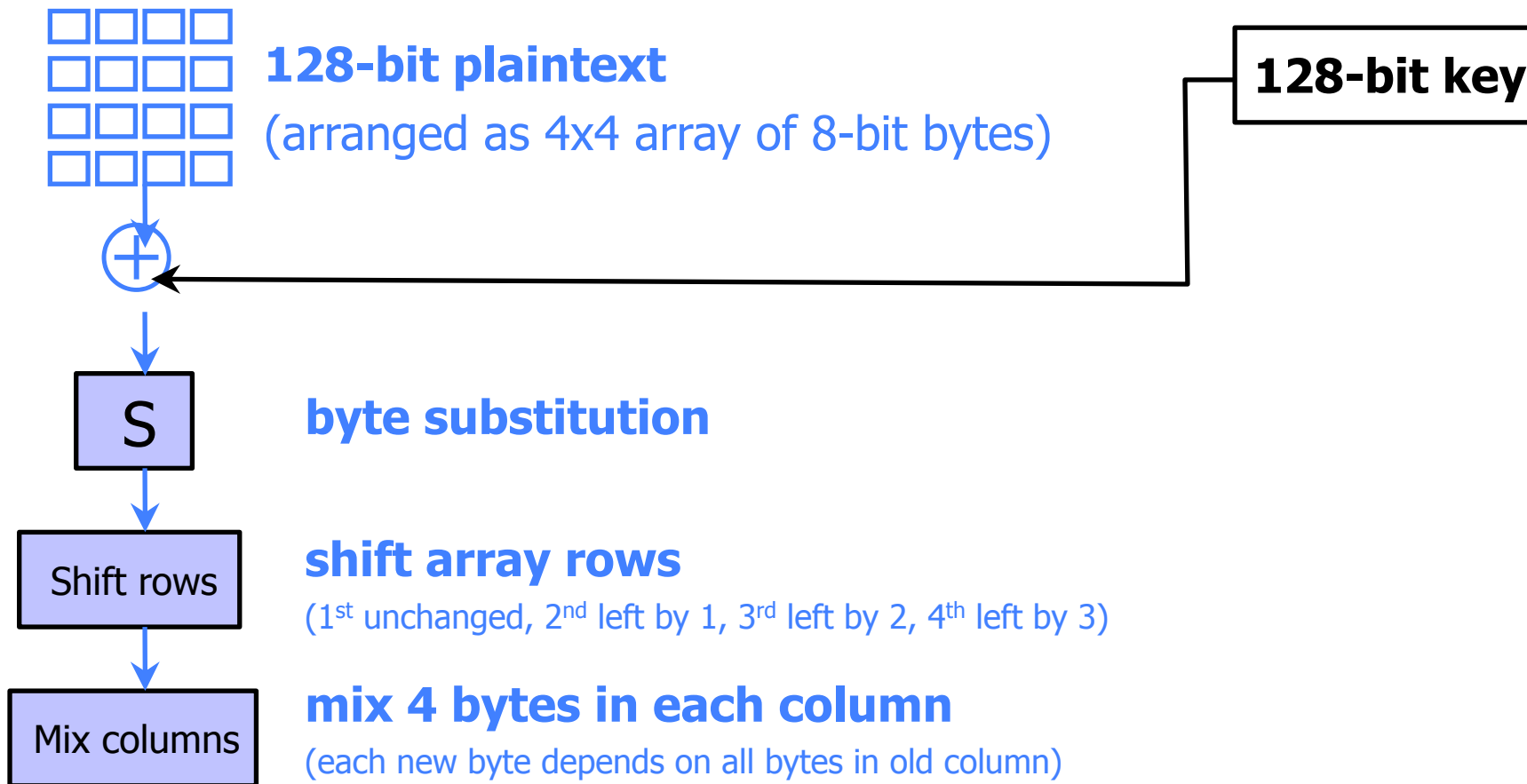
Basic Structure of Rijndael



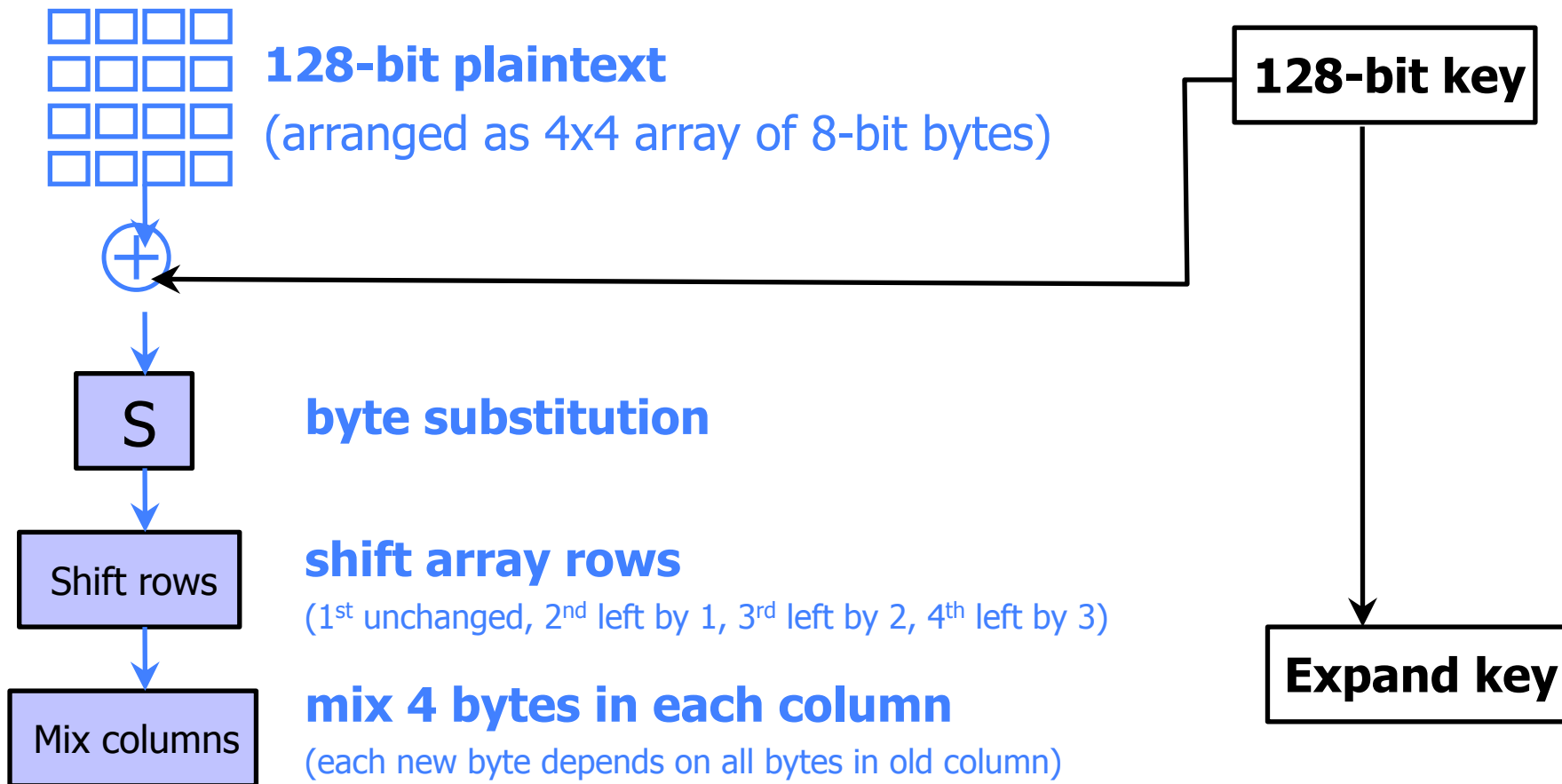
Basic Structure of Rijndael



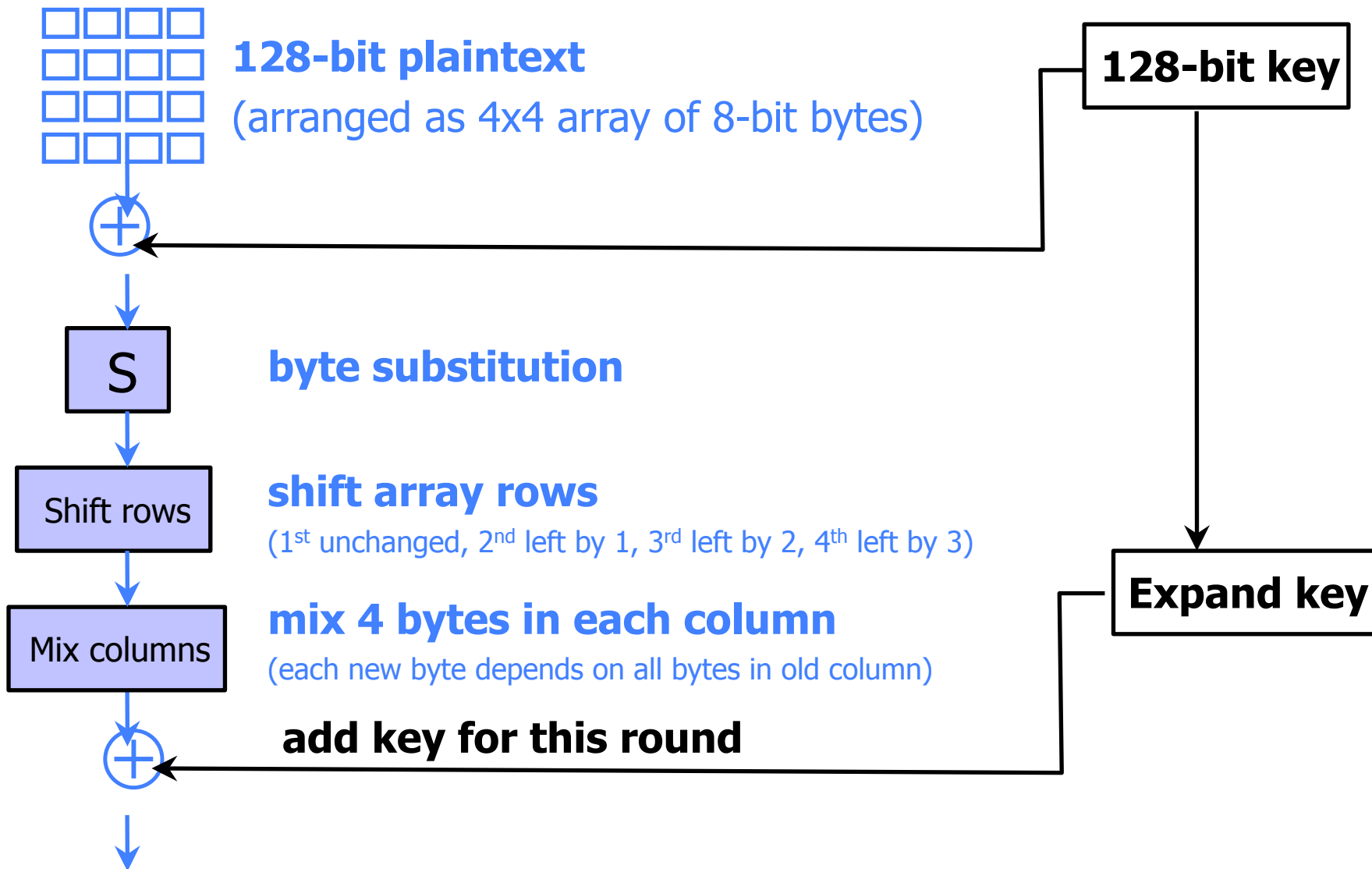
Basic Structure of Rijndael



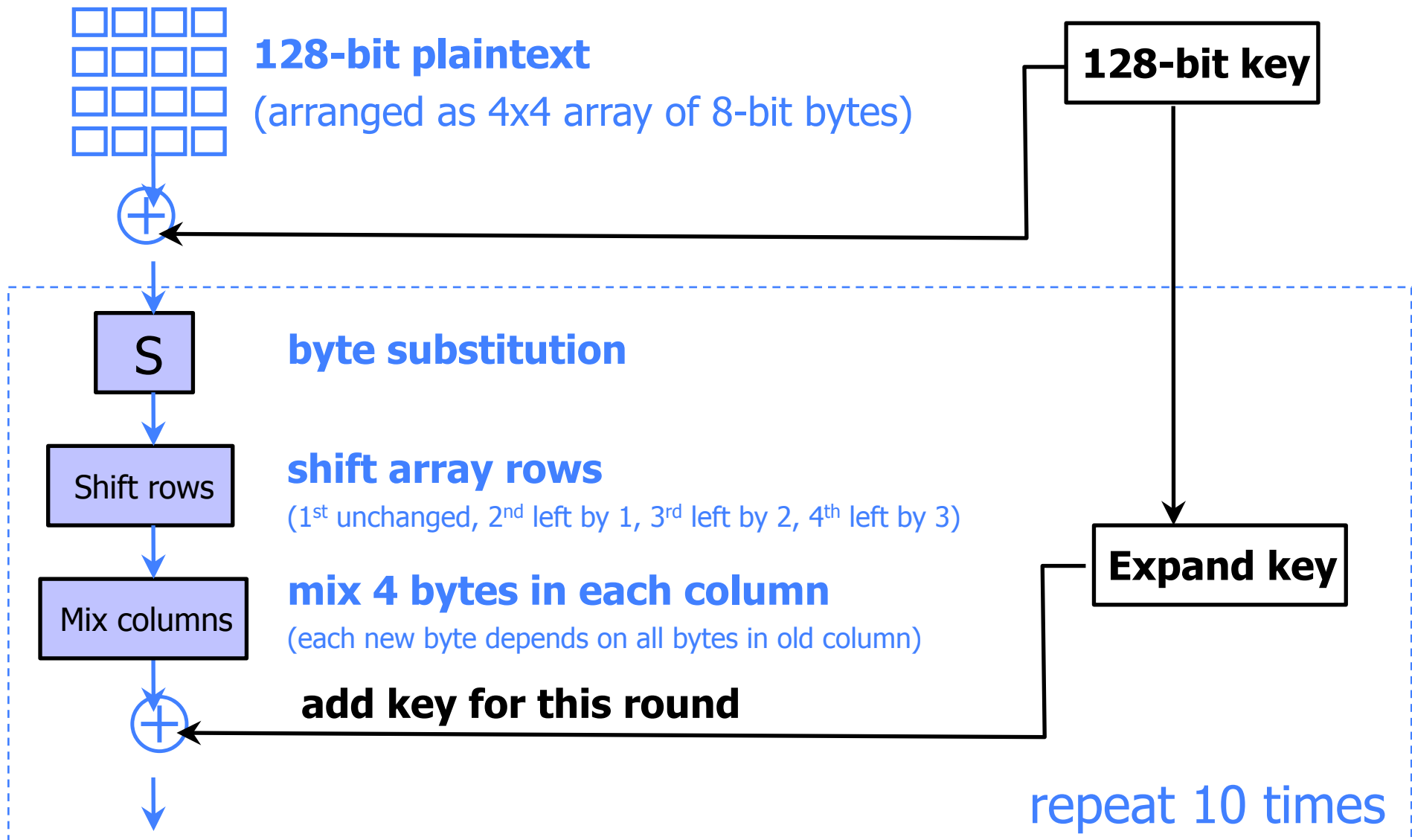
Basic Structure of Rijndael



Basic Structure of Rijndael

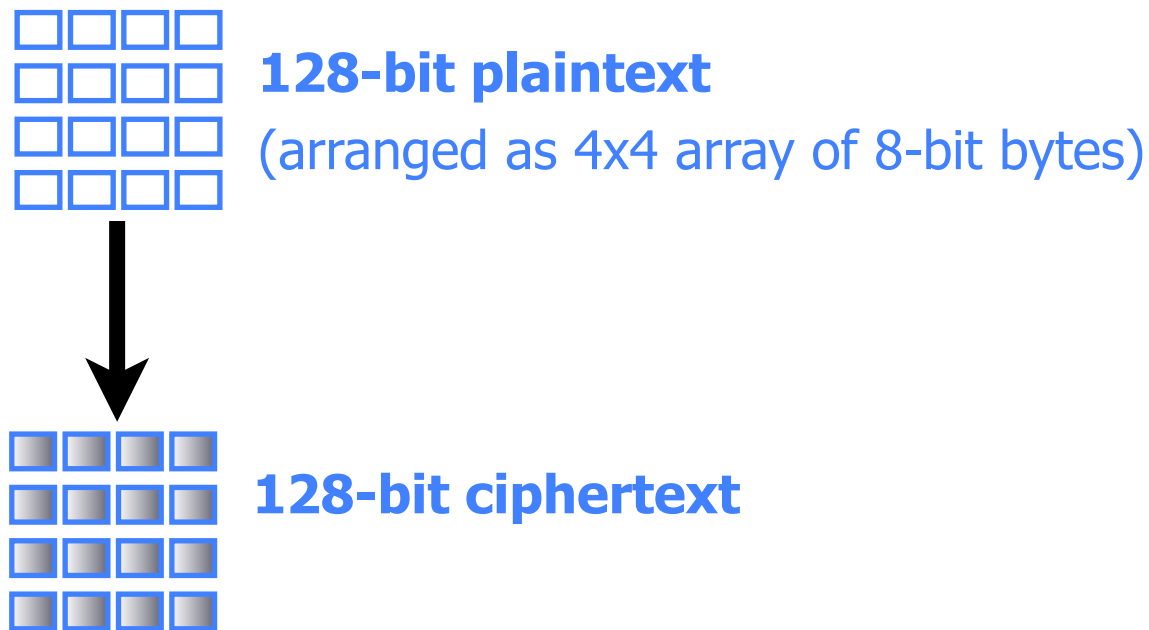


Basic Structure of Rijndael



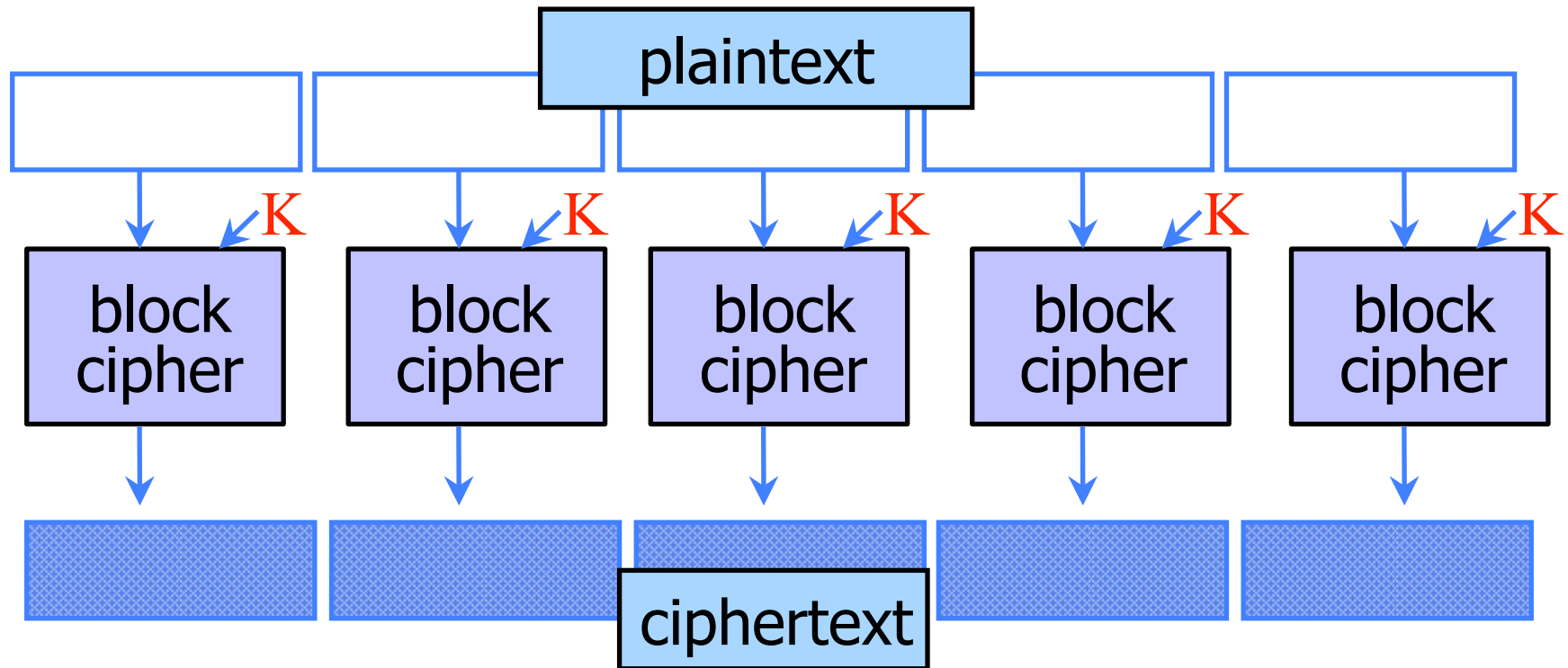
Encrypting a Large Message

- ◆ So, we've got a good block cipher, but our plaintext is larger than 128-bit block size

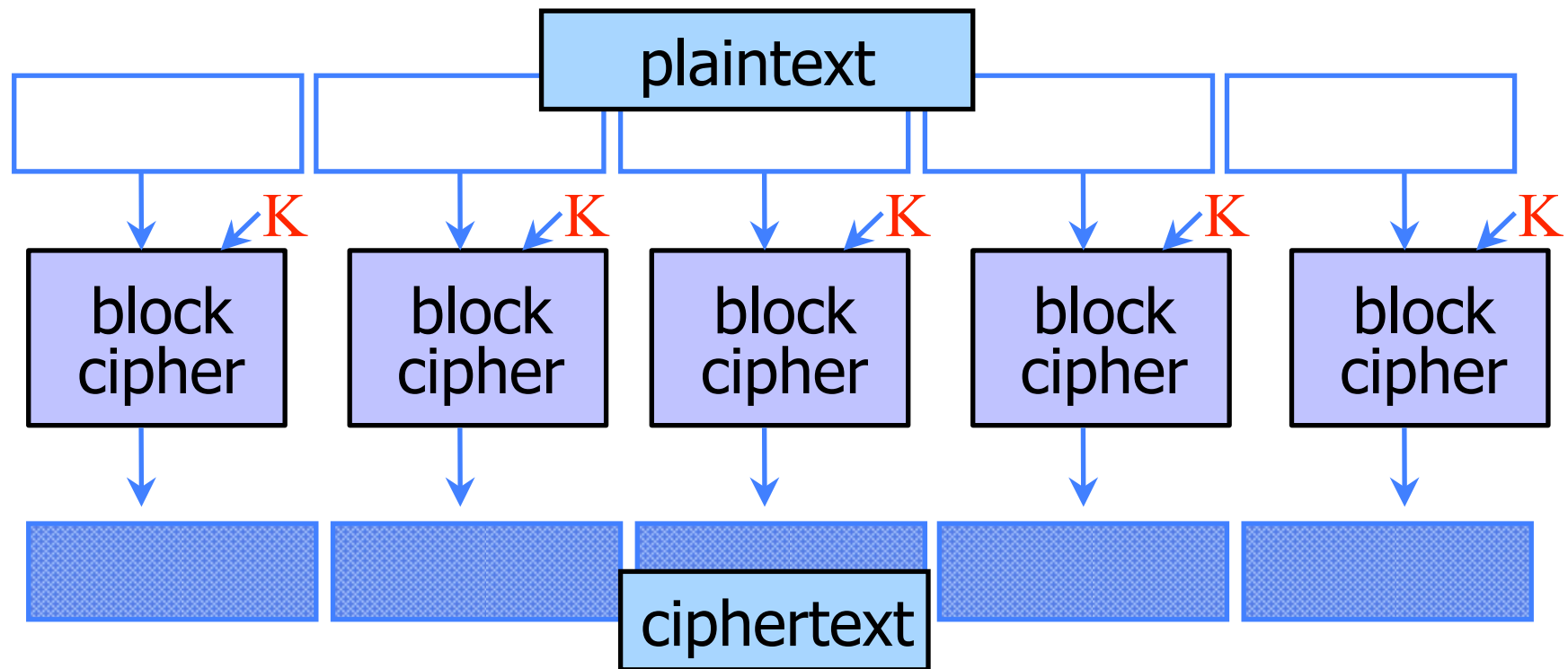


- ◆ What should we do?

Electronic Code Book (ECB) Mode

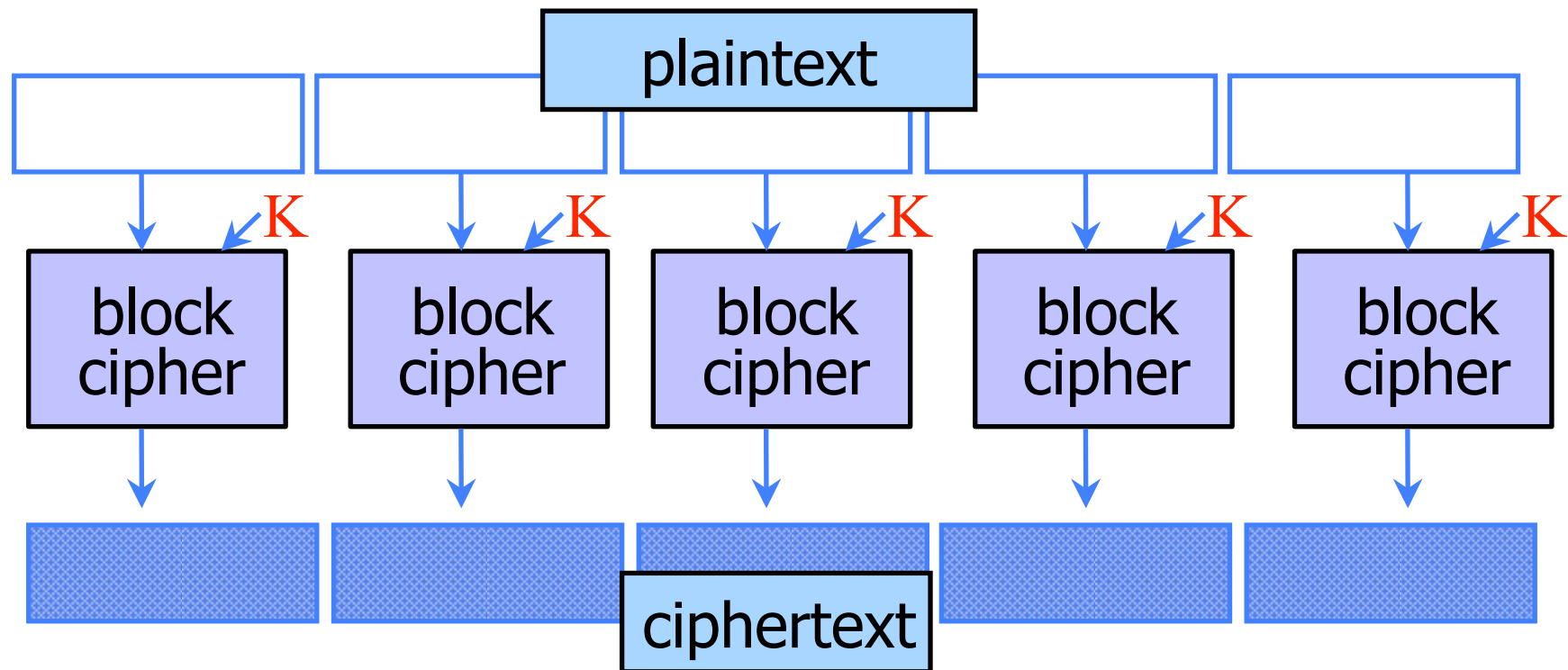


Electronic Code Book (ECB) Mode



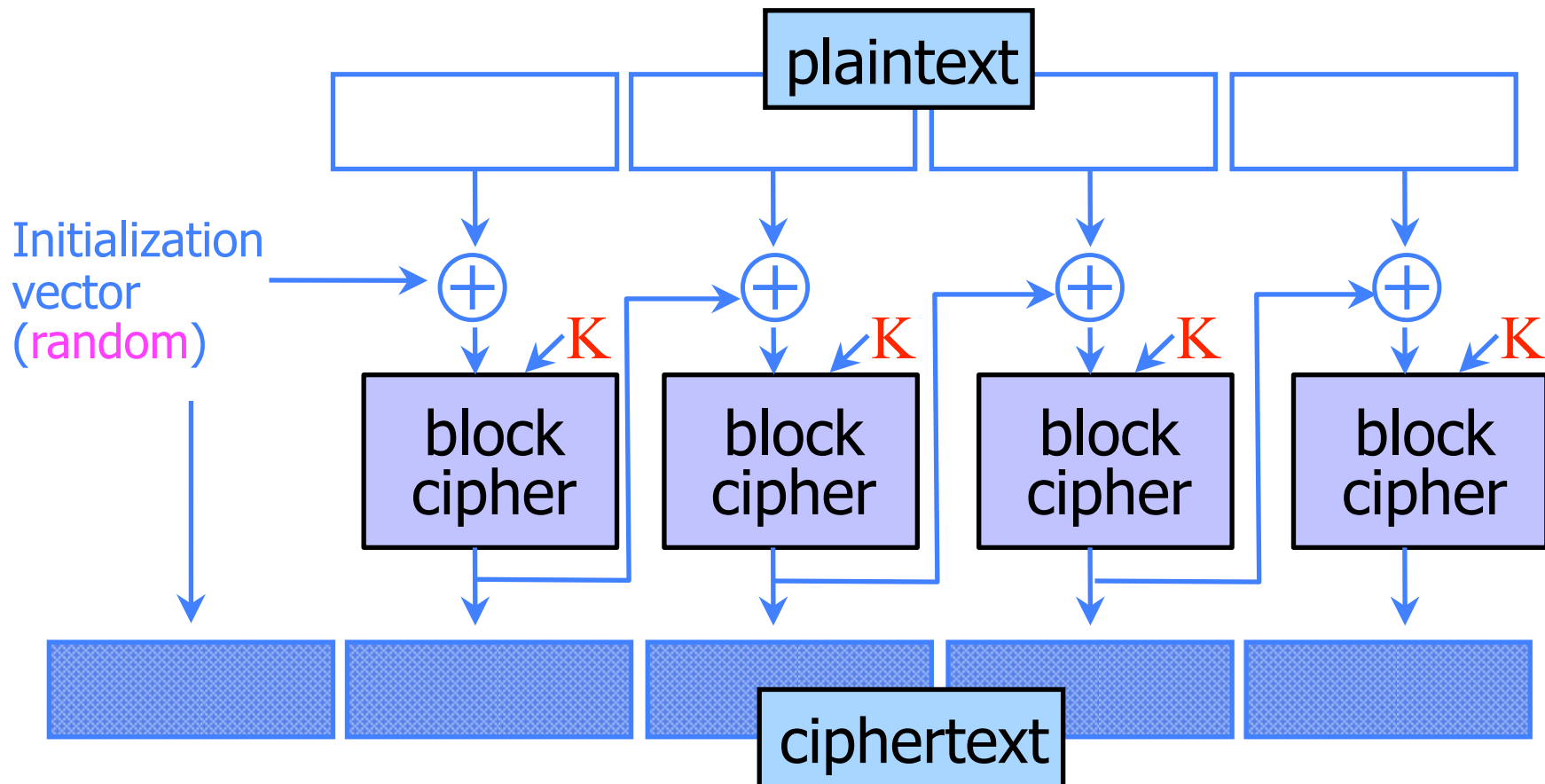
- ◆ Identical blocks of plaintext produce identical blocks of ciphertext

Electronic Code Book (ECB) Mode



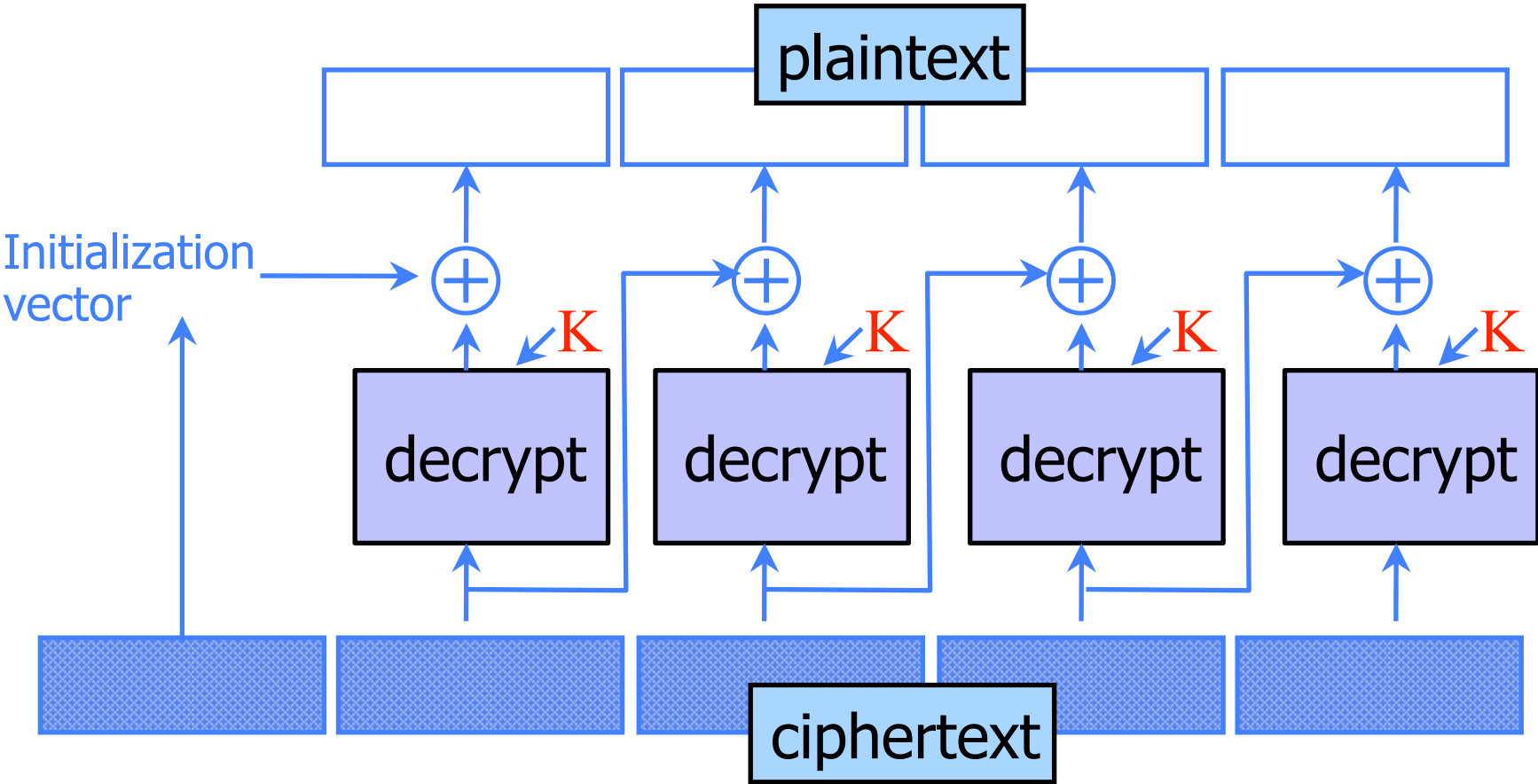
- ◆ Identical blocks of plaintext produce identical blocks of ciphertext
- ◆ No integrity checks: can mix and match blocks

Cipher Block Chaining (CBC) Mode: Encryption



- ◆ Identical blocks of plaintext encrypted differently
- ◆ Last cipherblock depends on entire plaintext
 - Still does not guarantee integrity

CBC Mode: Decryption



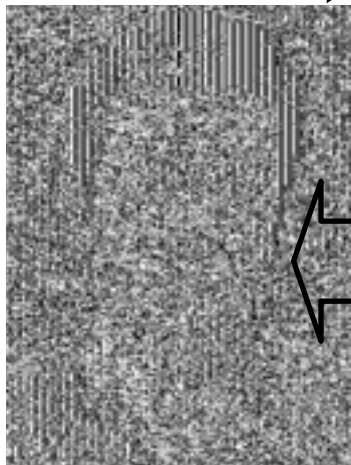
ECB vs. CBC

[Picture due to Bart Preneel]

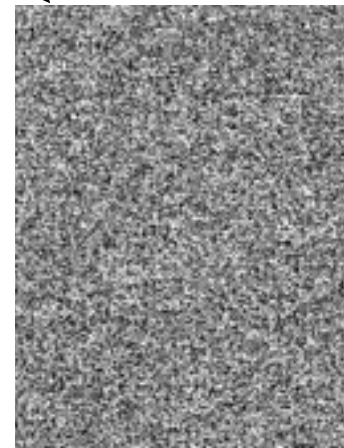
AES in ECB mode



AES in CBC mode

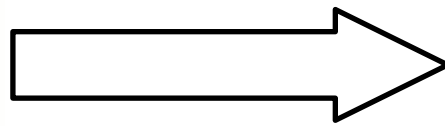
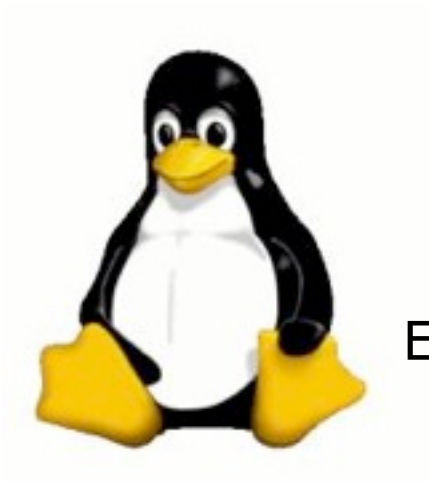


Similar plaintext
blocks produce
similar ciphertext
blocks (not good!)

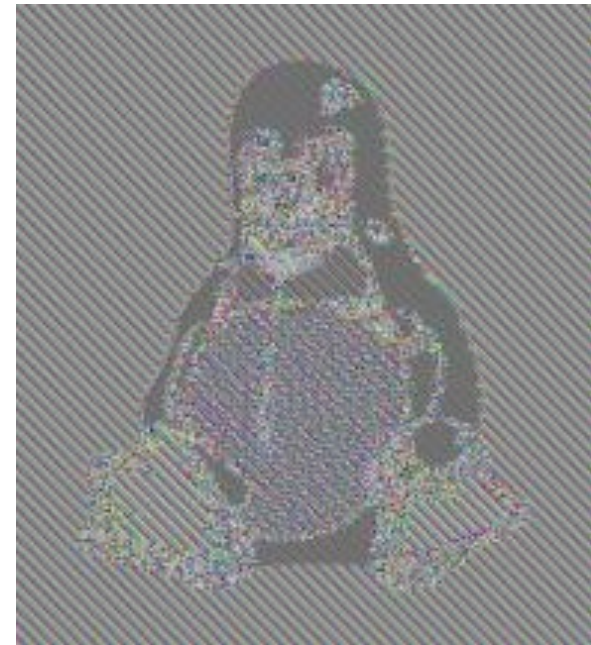


Information Leakage in ECB Mode

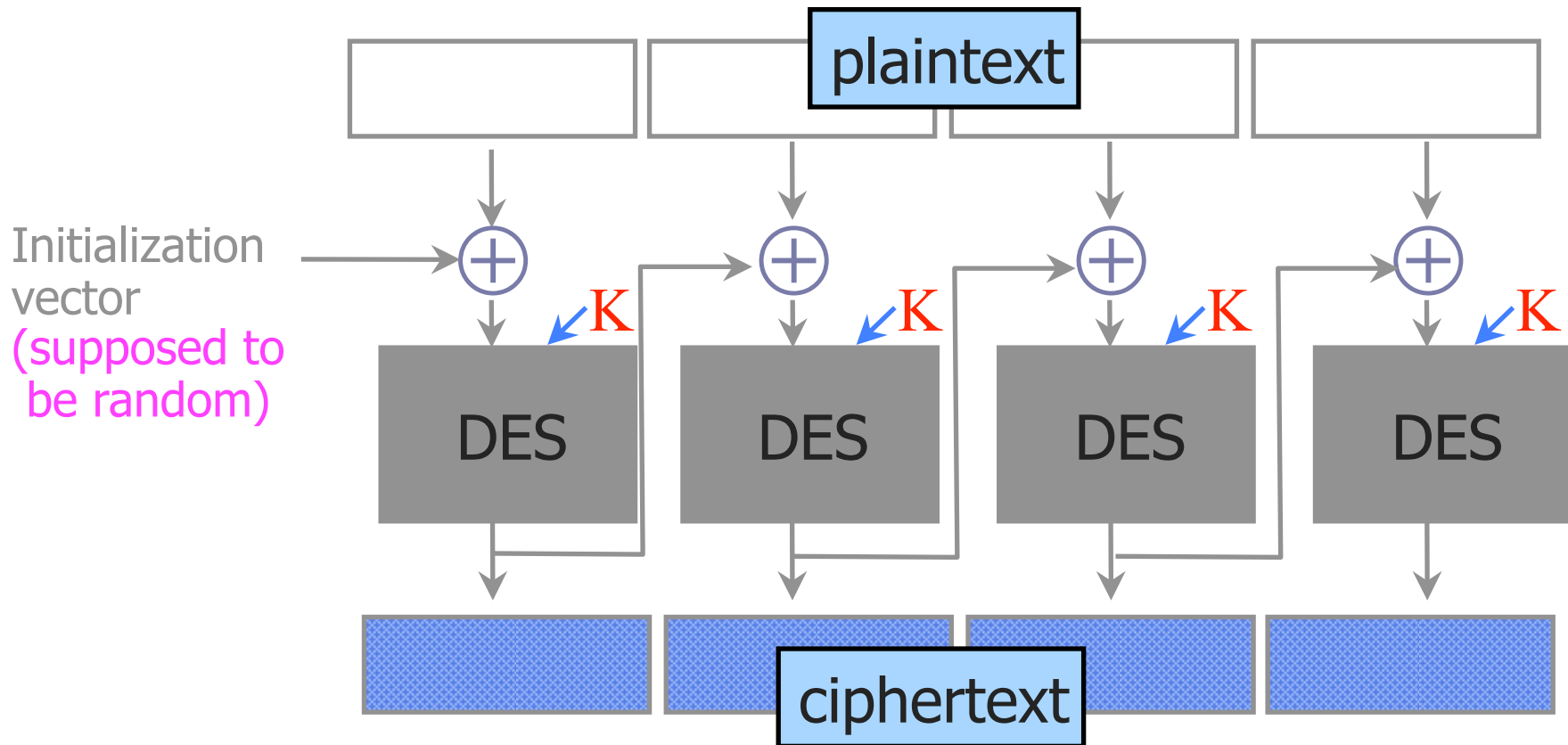
[Wikipedia]



Encrypt in ECB mode



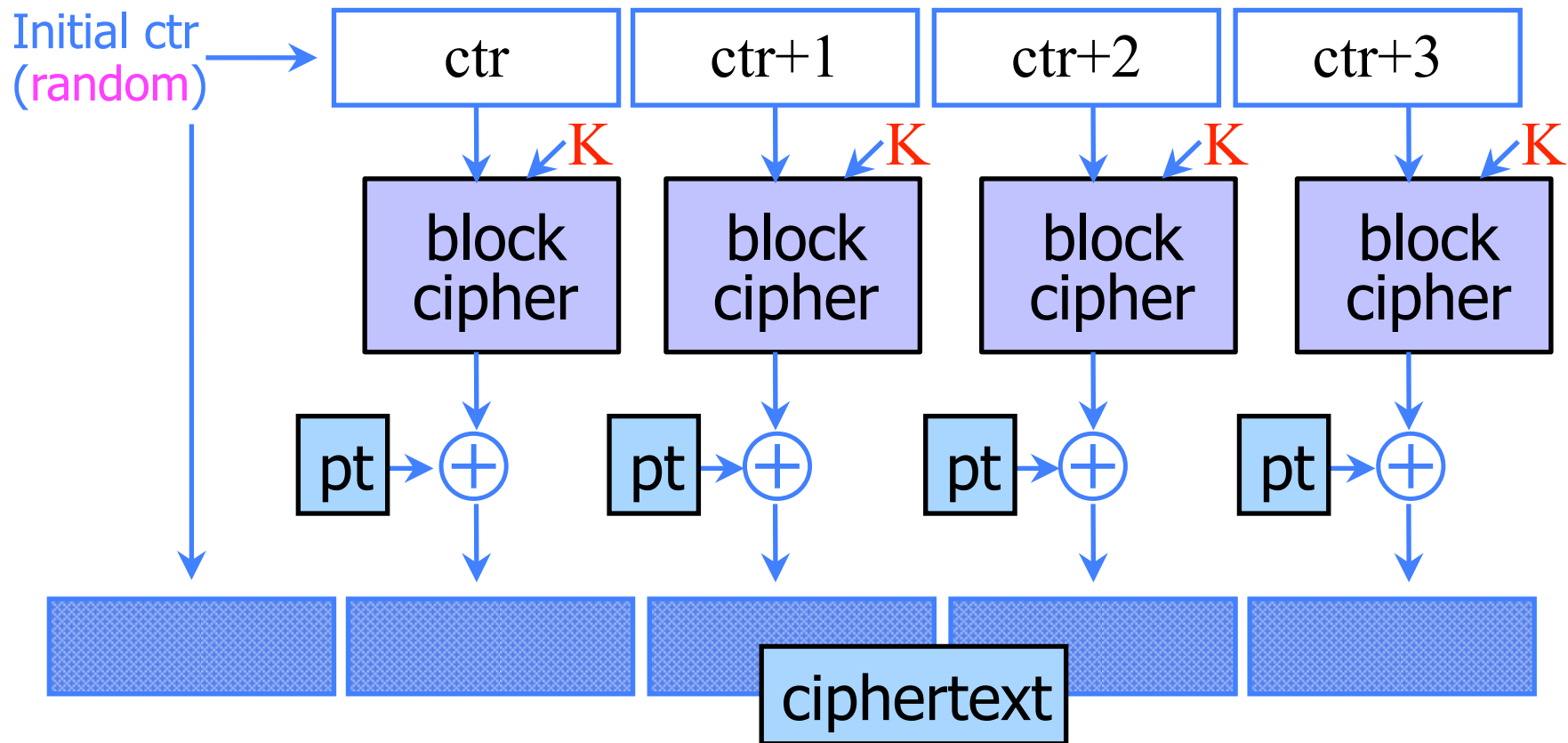
CBC and Electronic Voting



Found in the source code for Diebold voting machines:

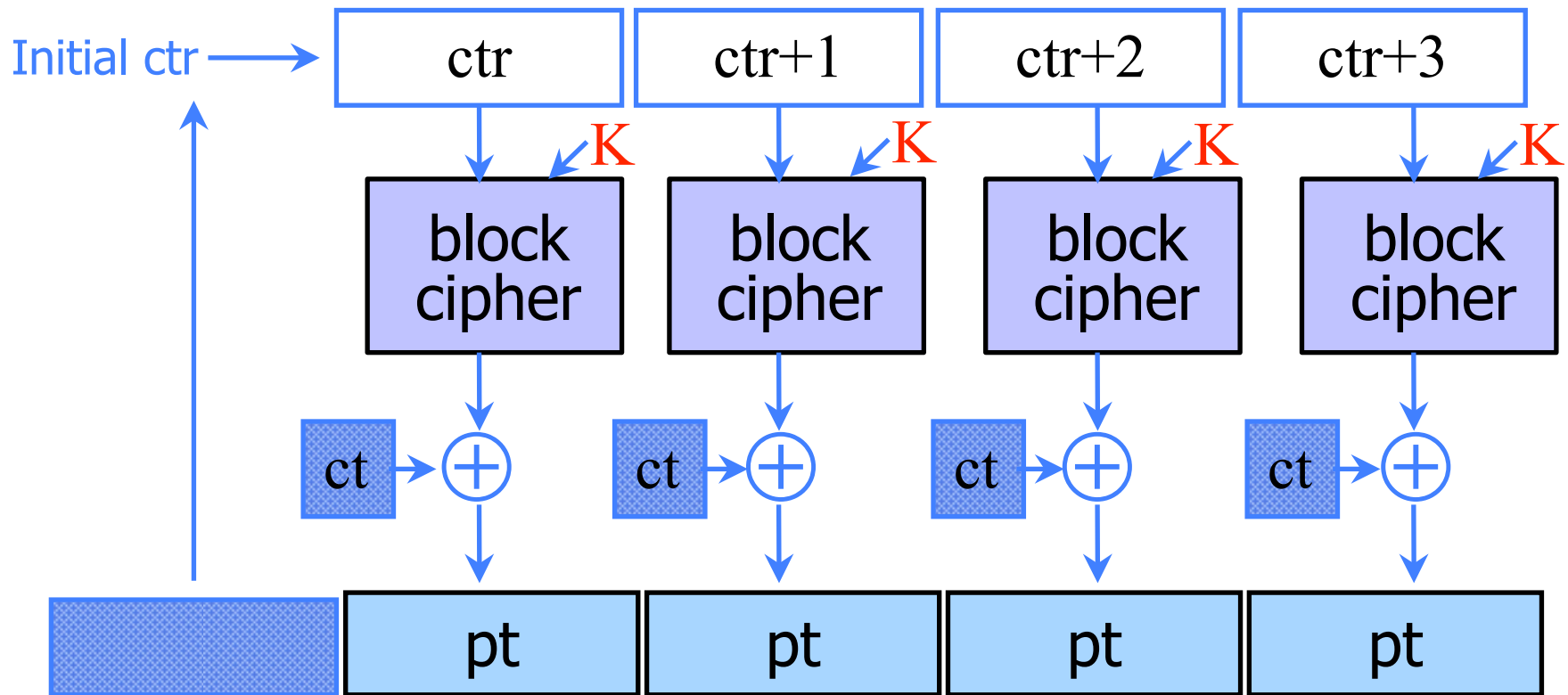
```
DesCBCEncrypt((des_c_block*)tmp, (des_c_block*)record.m_Data,  
             totalSize, DESKEY, NULL, DES_ENCRYPT)
```

Counter (CTR) Mode: Encryption



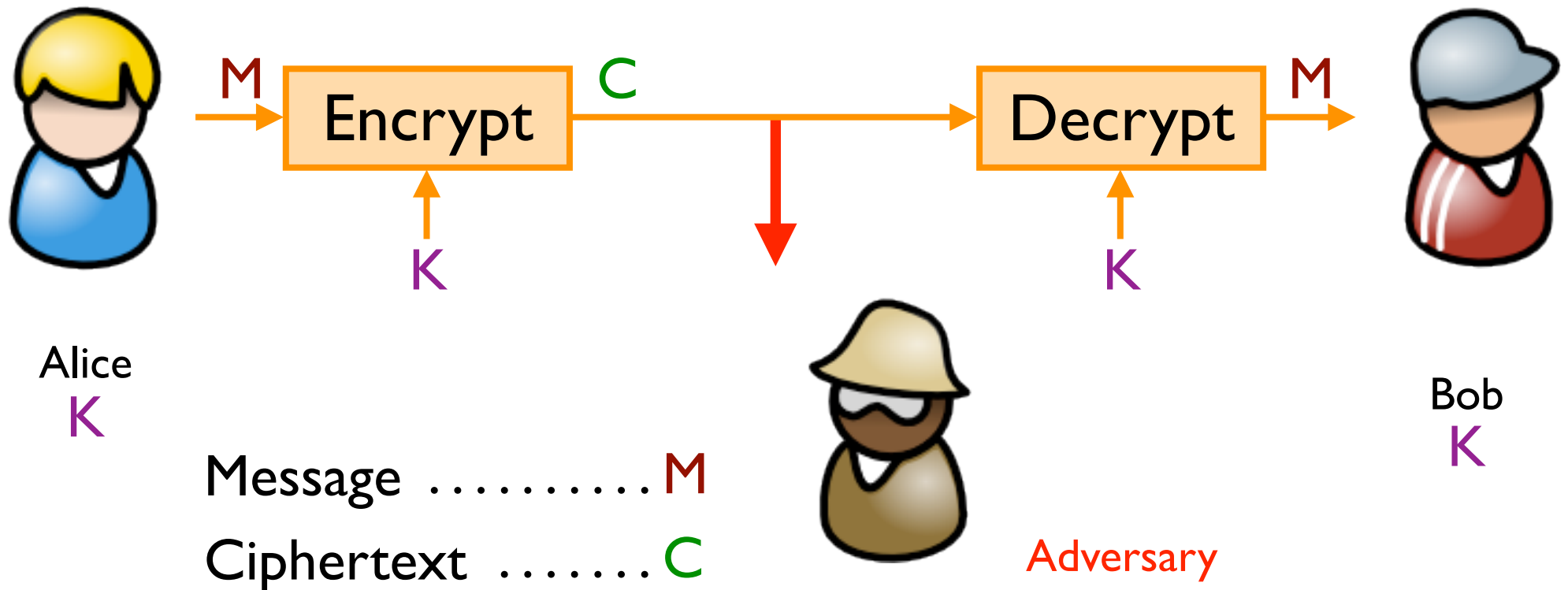
- ◆ Identical blocks of plaintext encrypted differently
- ◆ Still does not guarantee integrity
- ◆ Fragile if ctr repeats

CTR Mode: Decryption



Achieving Privacy (Symmetric)

Encryption schemes: A tool for protecting **privacy**.



When Is an Encryption Scheme “Secure”?

- ◆ Hard to recover the key?
 - What if attacker can learn plaintext without learning the key?
- ◆ Hard to recover plaintext from ciphertext?
 - What if attacker learns some bits or some function of bits?
- ◆ Fixed mapping from plaintexts to ciphertexts?
 - What if attacker sees two identical ciphertexts and infers that the corresponding plaintexts are identical?
 - Implication: encryption must be randomized or stateful

How Can a Cipher Be Attacked?

- ◆ Assume that the attacker knows the encryption algorithm and wants to learn information about some ciphertext
- ◆ Main question: what else does attacker know?
 - Depends on the application in which cipher is used!
- ◆ Ciphertext-only attack
- ◆ Known-plaintext attack (stronger)
 - Knows some plaintext-ciphertext pairs
- ◆ Chosen-plaintext attack (even stronger)
 - Can obtain ciphertext for any plaintext of his choice
- ◆ Chosen-ciphertext attack (very strong)
 - Can decrypt any ciphertext except the target
 - Sometimes very realistic model

Defining Security (Not Required)

- ◆ Attacker does **not know** the **key**
- ◆ He chooses as many plaintexts as he wants, and learns the corresponding ciphertexts
- ◆ When ready, he picks two plaintexts M_0 and M_1
 - He is even allowed to pick plaintexts for which he previously learned ciphertexts!
- ◆ He receives either a ciphertext of M_0 , or a ciphertext of M_1
- ◆ He wins if he guesses correctly which one it is

Defining Security (Not Required)

- ◆ Idea: attacker should not be able to learn **even a single bit** of the encrypted plaintext
- ◆ Define $\text{Enc}(M_0, M_1, b)$ to be a function that returns encrypted M_b
 - Given two plaintexts, Enc returns a ciphertext of one or the other depending on the value of bit b
 - Think of Enc as a magic box that computes ciphertexts on attacker's demand. He can obtain a ciphertext of any plaintext M by submitting $M_0 = M_1 = M$, or he can try to learn even more by submitting $M_0 \neq M_1$.
- ◆ Attacker's goal is to learn just one bit b

0 or 1

Chosen-Plaintext Security (Not Required)

- ◆ Consider two experiments (A is the attacker)

Experiment 0

A interacts with $\text{Enc}(-,-,0)$
and outputs bit d

Experiment 1

A interacts with $\text{Enc}(-,-,1)$
and outputs bit d

- Identical except for the value of the secret bit
- d is attacker's guess of the secret bit

- ◆ Attacker's advantage is defined as

$|\text{Prob}(A \text{ outputs } 1 \text{ in Exp0}) - \text{Prob}(A \text{ outputs } 1 \text{ in Exp1})|$

- ◆ Encryption scheme is **chosen-plaintext secure** if this advantage is negligible for any efficient A

If A "knows" secret bit, he should be able to make his output depend on it

“Simple” Example (Not Required)

- ◆ Any deterministic, stateless symmetric encryption scheme is insecure
 - Attacker can easily distinguish encryptions of different plaintexts from encryptions of identical plaintexts
 - This includes ECB mode of common block ciphers!

Attacker A interacts with $\text{Enc}(-,-,b)$

Let X, Y be any two different plaintexts

$C_1 \leftarrow \text{Enc}(X, Y, b); \quad C_2 \leftarrow \text{Enc}(Y, Y, b);$

If $C_1 = C_2$ then $b = 1$ else say $b = 0$

- ◆ The advantage of this attacker A is 1

$\text{Prob}(A \text{ outputs } 1 \text{ if } b=0) = 0 \quad \text{Prob}(A \text{ outputs } 1 \text{ if } b=1) = 1$

Why Hide Everything?

- ◆ Leaking even a little bit of information about the plaintext can be disastrous
- ◆ Electronic voting
 - 2 candidates on the ballot (1 bit to encode the vote)
 - If ciphertext leaks the parity bit of the encrypted plaintext, eavesdropper learns the entire vote
- ◆ Also, want a strong definition, that implies others

Birthday attacks

- ◆ Are there two people in the first 1/3 of this classroom that have the same birthday?
 - Yes?
 - No?

Birthday attacks

◆ Why is this important for cryptography?

- 365 days in a year (366 some years)

- Pick one person. To find another person with same birthday would take on the order of $365/2 = 182.5$ people
- Expect “collision” -- two people with same birthday -- with a room of only 23 people
- For simplicity, approximate when we expect a collision as the square root of 365.

- 2^{128} different 128-bit keys

- Pick one key at random. To exhaustively search for this key requires trying on average 2^{127} keys.
- Expect a “collision” after selecting approximately 2^{64} random keys.
- 64 bits of security against collision attacks, not 128 bits.